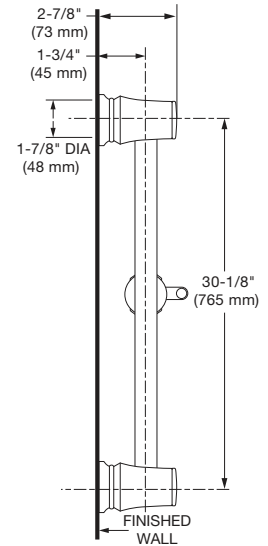
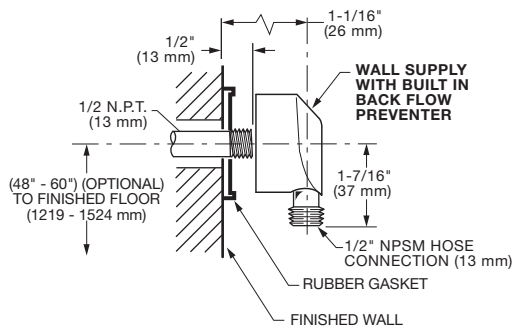
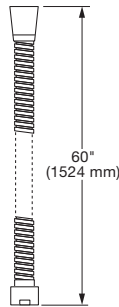
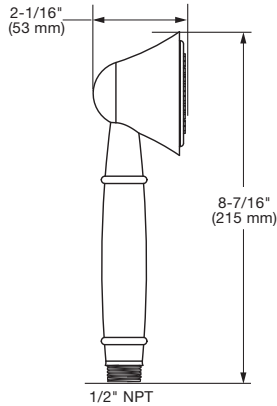


MODEL NUMBER:

□ **1662607 Shower System Kit**

Includes:

- Traditional Handheld Shower 1660142
- Traditional Slide Bar 1660773
- 60" Shower Hose 8888035
- Wall Supply 8888037



GENERAL DESCRIPTION:

Complete shower system kit includes: a wall supply with 1/2" NPT female inlet, 1/2" NPSM male outlet; a 60" (1500 mm) shower hose; a water saving hand shower; and a 30" all metal slide bar. Pressure compensating flow control device. Slide bar features an adjustable shower holder which can be set at any height or position along the bar and angle up to 45°. Kit includes double check valves to prevent cross flow of hot and cold water.

PRODUCT FEATURES:

Water Saving: WaterSense certified.

Pressure Compensating Flow Control Device: Provides consistent flow over a wide pressure range.

HAND SHOWER

Lightweight, Ergonomic Design: For a sure grip even with wet, soapy hands.

SLIDE BAR

Simple Height Adjustment: Allows positioning of the personal shower anywhere along the bar.



EPA
WATERSENSE®
CERTIFIED

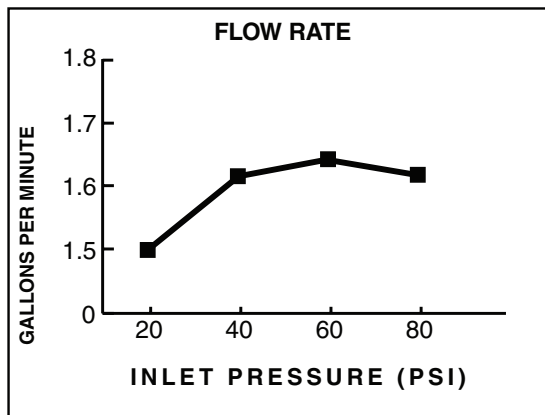
SUGGESTED SPECIFICATION

Shower system shall feature a wall supply with 1/2" NPT female inlets, 1/2" NPSM male outlet, 60" hose, hand shower and a 30" all metal slide bar. Hand Shower shall be WaterSense certified in water usage. Hand Shower shall have a pressure compensating control device. Kit shall include double check valves to prevent cross flow of hot and cold water. Fitting shall be American Standard Model # 1662607._____.

CODES AND STANDARDS

These products meet or exceed the following codes and standards:

**ASME A112.18.1
CSA B125.1**



Product Number	Description	Finish			
		Polished Chrome	Polished Nickel	Brushed Nickel	Legacy Bronze
		002	013	295	278
1662607	Traditional Hand Shower Kit. Contains hand shower, slide bar, hose and wall supply.				