

AXOR Citterio M
Single-Hole Faucet 100 with Pop-Up Drain, 1.2 GPM
 Finishes : **chrome** Part no. : **34010001**



Description

Features

- Aerated spray
- Flow: 1.2 GPM (4.5 L/Min)
- Ceramic cartridge
- Includes pop-up drain

Item details

List Price \$ 684.00

Technology



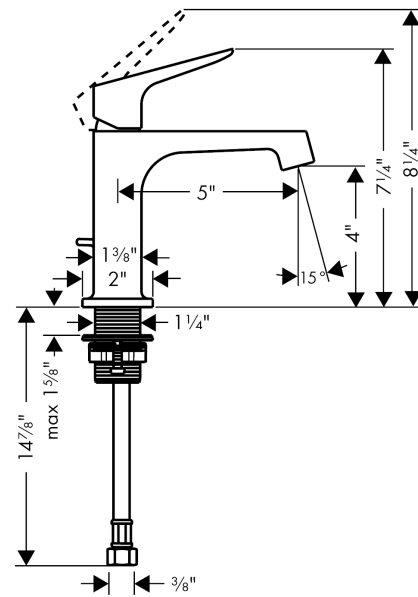
Compliance



Product image



Scale drawing

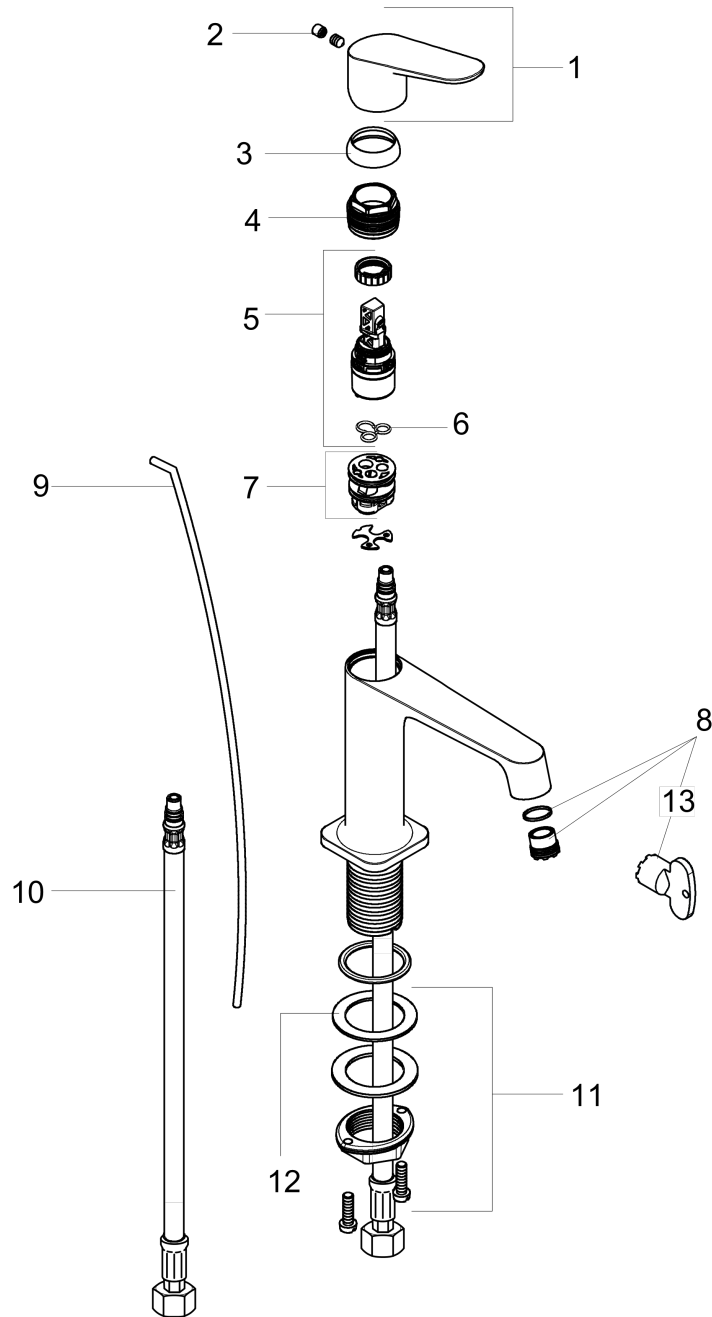


AXOR Citterio M
Single-Hole Faucet 100 with Pop-Up Drain, 1.2 GPM
 Finishes : **chrome** Part no. : **34010001**



Exploded drawing

Year of production: >07/16



AXOR Citterio M
Single-Hole Faucet 100 with Pop-Up Drain, 1.2 GPM
 Finishes : **chrome** Part no. : **34010001**



Spare parts list

Year of production: >07/16

| Pos. | Description | Part no. | Price | PU |
|-------------|-----------------------------------|-----------------|--------------|-----------|
| 1 | handle | 34093000 | - | 1 |
| 2 | screw cover | 96762000 | - | 1 |
| 3 | flange | 98863000 | - | 1 |
| 4 | nut | 98864000 | - | 1 |
| 5 | cartridge, assy | 95973001 | - | 1 |
| 6 | seal | 98865000 | - | 1 |
| 7 | adapter for cartridge | 98866000 | - | 1 |
| 8 | aerator M16,5x1 (4,5 l/min) | 92875000 | - | 1 |
| 9 | pull rod | 96923000 | - | 1 |
| 10 | connection hose 18½" M8x0,75 3/8" | 96321001 | - | 1 |
| 11 | fixing set (Ø 32) | 13961000 | - | 1 |
| 12 | lever collar | 97548000 | - | 1 |
| 13 | special tool | 98987000 | - | 1 |
| a | pop up waste | 88509000 | - | 1 |