

CIRQ PENDANT

CRQ-18P (18")

CAUTION

TURN OFF THE MAIN POWER AT THE CIRCUIT BREAKER BEFORE INSTALLING THE FIXTURE IN ORDER TO PREVENT POSSIBLE SHOCK

IF YOU ARE UNFAMILIAR WITH PROPER ELECTRICAL WIRING CONNECTIONS OBTAIN THE SERVICES OF A QUALIFIED ELECTRICIAN

GENERAL

- Read all instructions carefully for safe operation and installation.
- All electrical connections must be in accordance with local and national electrical code (N.E.C) standards.
- Remove the fixture and the mounting package from the box and make sure that no parts are missing by referencing the illustrations on the installation instruction. Please contact Blackjack Lighting if any parts are missing or damaged.
- This product is suitable for damp locations.

INSTALLATION**PREPARATION**

1. Remove the fixture from its box.
2. Remove the ceiling plate(10) from the canopy cover(11) by loosening two decorative nuts(14).

MOUNTING

3. Pull the supply wires(2&4) and the house ground wire(6) out of the outlet box(1) and install the cross bar(15) to the outlet box(1) with the two mounting screws (9).
4. Place the ceiling plate(10) over the cross bar(15) through the two outward screws(11) and secure it by tightening the two nuts(13).

ELECTRICAL CONNECTIONS

5. Using the wire connectors(8), connect the white supply wire(2) from outlet box(1) to the white fixture wire(3); connect the black supply wire(4) from outlet box(1) to the black fixture wire(5), and connect the house ground wire(6) to the fixture ground wire(7). Carefully tuck all the wires back into the outlet box(1).

FINAL ASSEMBLY

6. Temporarily mount the canopy cover(11) to the ceiling plate(10). Adjust the two suspension cables to the appropriate length by either pushing the individual cable up into the adjustable gripper(16) or by pushing the small barrel upward (located on the bottom of the adjustable gripper(16)). This will release the cable tension and allow the suspended cable to increase in length.
7. Once the cable is adjusted to the approximate mounting length use the attached twist ties to retain the excess cable into neat loops that will fit inside the canopy cover(11).
8. To secure the canopy cover(11) on the ceiling plate(10) align the holes on the bottom of the canopy cover(11) with the outward screws(12) from the ceiling plate(10). Then tighten the two decorative nuts(14) over the two outward screws(12) to secure the canopy cover(11) in place.
9. Once the canopy(11) is in place, use the adjustable grippers to fine tune the fixture suspension cable lengths so that the fixture is level and the two wires are even in length.

DIMMING

- Fixture Dimming Type: TRIAC dimmable
- For recommended dimmers see <https://www.blackjacklighting.com/dimming-information>

HARDWARE



Wire Connectors (#8)
[3 Included]



Mounting Screws (#9)
[2 Included]



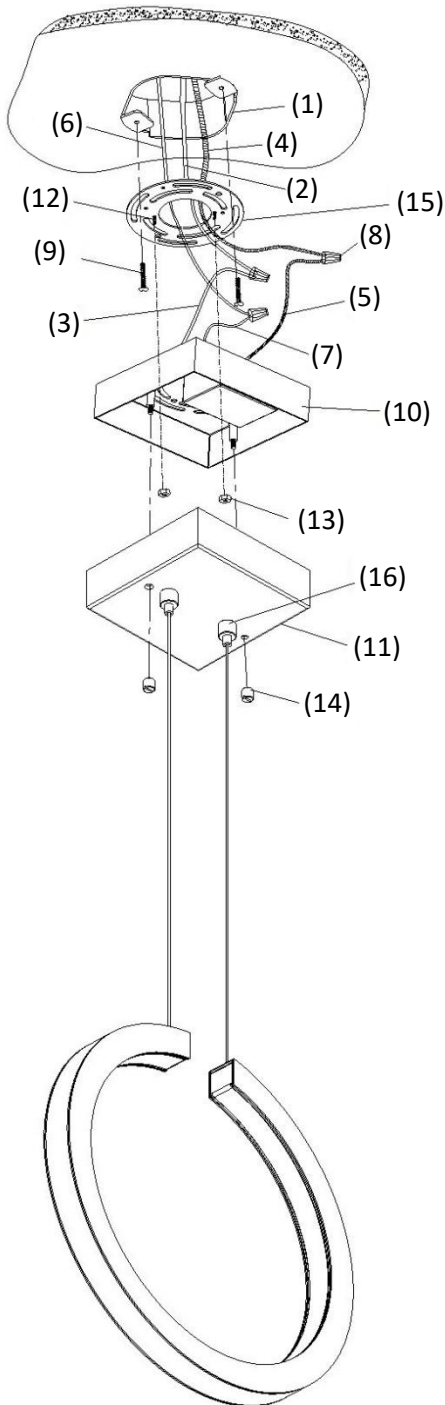
Outward Screws (#12)
[2 Included]



Nut (#13)
[2 Included]



Decorative Nut (#14)
[2 Included]



1. OUTLET BOX (by others)
2. WHITE SUPPLY WIRE
3. WHITE FIXTURE WIRE
4. BLACK SUPPLY WIRE
5. BLACK FIXTURE WIRE
6. HOUSE GROUND WIRE
7. FIXTURE GROUND WIRE
8. WIRE CONNECTORS
9. MOUNTING SCREWS
10. BACK PANEL
11. CANOPY COVER
12. OUTWARD SCREWS
13. NUT
14. DECORATIVE NUT
15. CROSS BAR
16. GRIPPER