

PILLBOX PENDANT (E26 SOCKET)

SP-PBX- SO-10P-xx-NAK-E26 (10")

CAUTION

TURN OFF THE MAIN POWER AT THE CIRCUIT BREAKER BEFORE INSTALLING THE FIXTURE IN ORDER TO PREVENT POSSIBLE SHOCK

IF YOU ARE UNFAMILIAR WITH PROPER ELECTRICAL WIRING CONNECTIONS OBTAIN THE SERVICES OF A QUALIFIED ELECTRICIAN

GENERAL

- Read all instructions carefully for safe operation and installation.
- All electrical connections must be in accordance with local and national electrical code (N.E.C) standards.
- Remove the fixture and the mounting package from the box and make sure that no parts are missing by referencing the illustrations on the installation instruction. Please contact Blackjack Lighting if any parts are missing or damaged.
- This product is suitable for damp locations.

INSTALLATION**PREPARATION**

1. Remove the fixture from its box.
2. Pull the supply(2&4) and house ground(6) wires out from the outlet box(1) and thread them through the large center hole in the ceiling plate(10). Then attach the ceiling plate(10) to the outlet box(1) using the mounting screws(9).

ELECTRICAL CONNECTIONS

3. Using the wire connectors(8), connect the white supply wire(2) to the white fixture wire(3); connect the black supply wire(5) to the black fixture wire(4); and connect the house ground wire(6) to the fixture ground wire(7). Tuck the wires back into the outlet box(1).

MOUNTING

4. Loosen strain relief screw(14) and adjust the wire(15) to the required length. Wind the excess wire into a loop, then secure it together with the included Velcro strap so that it doesn't come undone. Then tuck it into the canopy cover(11).
5. To secure the canopy cover(11) to the ceiling plate(10) align the holes on the bottom of the canopy cover(11) with the threaded standoffs(13) secured to the ceiling plate(10). Then insert and tighten the two thumbscrews(12) into the standoffs(13) to secure everything together.

FINAL ASSEMBLY

6. Insert the lightbulb (not included) into the fixture socket.

DIMMING

- Fixture Dimming Type: E26 Socket: no dimming options

HARDWARE



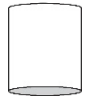
Wire Connectors (#8)

[3 Included]



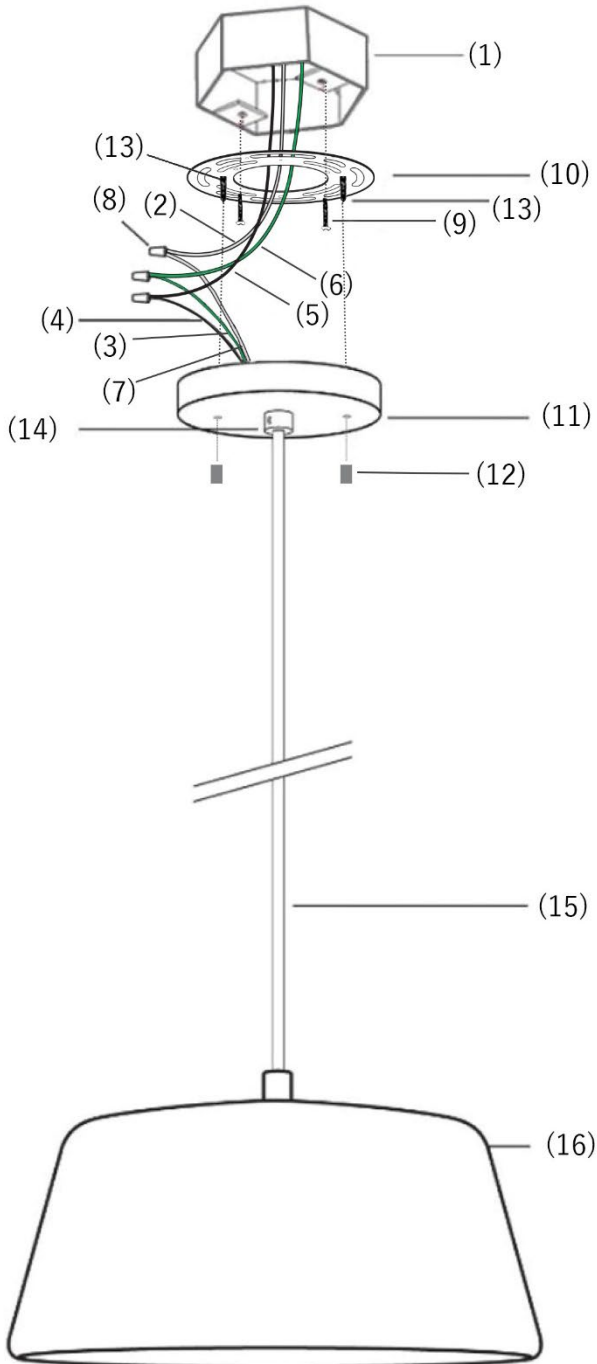
Mounting Screws (#9)

[2 Included]



Thumb Screws (#12)

[2 Included]



1. OUTLET BOX (By others)
2. WHITE SUPPLY WIRE
3. WHITE FIXTURE WIRE
4. BLACK FIXTURE WIRE
5. BLACK SUPPLY WIRE
6. HOUSE GROUND WIRE
7. FIXTURE GROUND WIRE
8. WIRE CONNECTORS
9. MOUNTING SCREWS
10. CELING PLATE
11. CANOPY COVER
12. THUMB SCREWS
13. THREADED STANDOFF
14. STRAIN RELIEF SCREW
15. WIRE
16. METAL SHADE

PILLBOX PENDANT (E26 SOCKET)

SP-PBX- SO-20P-xx-NAK-E26 (20")

CAUTION

TURN OFF THE MAIN POWER AT THE CIRCUIT BREAKER BEFORE INSTALLING THE FIXTURE IN ORDER TO PREVENT POSSIBLE SHOCK

IF YOU ARE UNFAMILIAR WITH PROPER ELECTRICAL WIRING CONNECTIONS OBTAIN THE SERVICES OF A QUALIFIED ELECTRICIAN

GENERAL

- Read all instructions carefully for safe operation and installation.
- All electrical connections must be in accordance with local and national electrical code (N.E.C) standards.
- Remove the fixture and the mounting package from the box and make sure that no parts are missing by referencing the illustrations on the installation instruction. Please contact Blackjack Lighting if any parts are missing or damaged.
- This product is suitable for damp locations.

INSTALLATION**PREPARATION**

1. Remove the fixture from its box.
2. Pull the supply(2&4) and house ground(6) wires out from the outlet box(1) and thread them through the large center hole in the ceiling plate(10). Then attach the ceiling plate(10) to the outlet box(1) using the mounting screws(9).

ELECTRICAL CONNECTIONS

3. Using the wire connectors(8), connect the white supply wire(2) to the white fixture wire(3); connect the black supply wire(5) to the black fixture wire(4); and connect the house ground wire(6) to the fixture ground wire(7). Tuck the wires back into the outlet box(1).

MOUNTING

4. Loosen strain relief screw(14) and adjust the wire(15) to the required length. Wind the excess wire into a loop, then secure it together with the included Velcro strap so that it doesn't come undone. Then tuck it into the canopy cover(11).
5. To secure the canopy cover(11) to the ceiling plate(10) align the holes on the bottom of the canopy cover(11) with the threaded standoffs(13) secured to the ceiling plate(10). Then insert and tighten the two thumbscrews(12) into the standoffs(13) to secure everything together.

FINAL ASSEMBLY

6. Insert the lightbulb (not included) into the fixture socket.

DIMMING

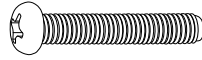
- Fixture Dimming Type: E26 Socket: no dimming options

HARDWARE



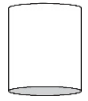
Wire Connectors (#8)

[3 Included]



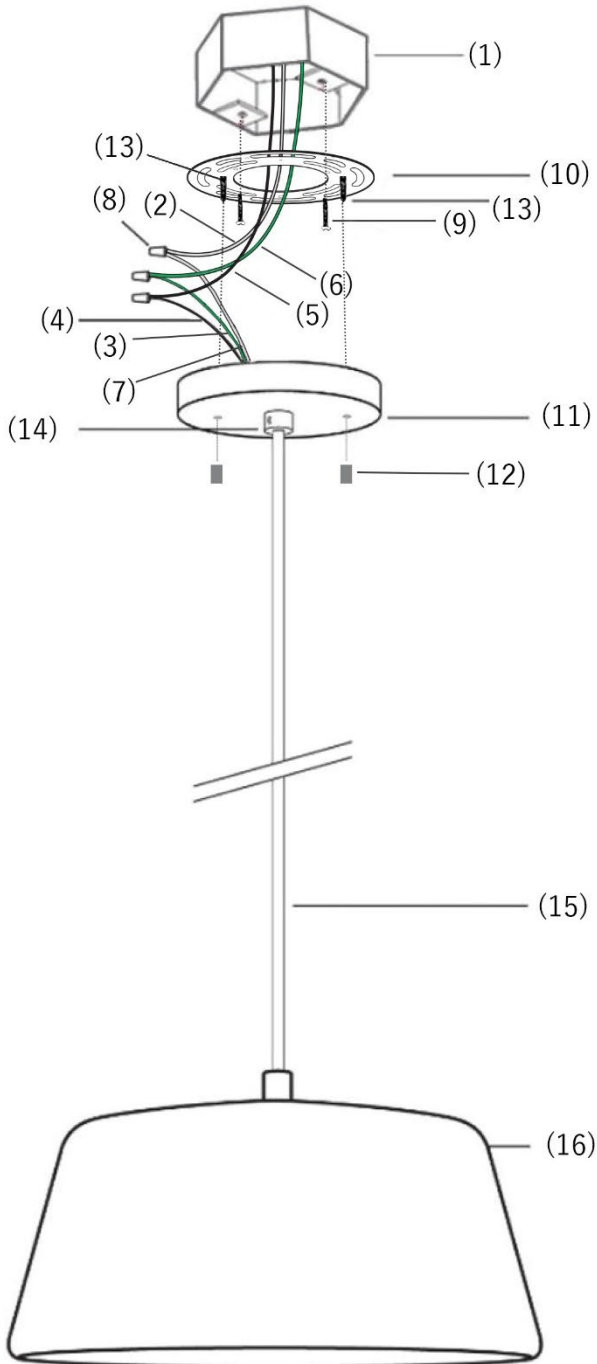
Mounting Screws (#9)

[2 Included]



Thumb Screws (#12)

[2 Included]



1. OUTLET BOX (By others)
2. WHITE SUPPLY WIRE
3. WHITE FIXTURE WIRE
4. BLACK FIXTURE WIRE
5. BLACK SUPPLY WIRE
6. HOUSE GROUND WIRE
7. FIXTURE GROUND WIRE
8. WIRE CONNECTORS
9. MOUNTING SCREWS
10. CELING PLATE
11. CANOPY COVER
12. THUMB SCREWS
13. THREADED STANDOFF
14. STRAIN RELIEF SCREW
15. WIRE
16. METAL SHADE