

Project:

Note:

Type:

Quantity:

Model#: CIR - 24P - _____ - 27U - _____

Description

The most recognizable, familiar and pleasing of geometric forms – the circle. Three size variations and multiple finish options augment Circuit’s heightened profile. Integrated LEDs around the circuit deliver powerful and pleasing ambient illumination in a variety of environments.

Features

- Fixture ships with three 72" adjustable support cables
- Powder coated steel exterior shade, acrylic diffuser
- Driver located in canopy housing
- Damp location rated



QUICK SHIP | AVAILABLE IN 2 WEEKS

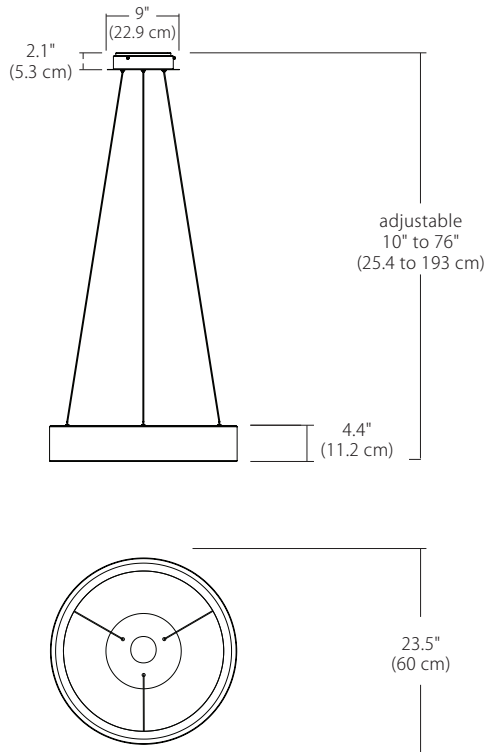
Specifications

- Color Rendering Index: 90CRI
- Color Temperature: 30K (standard)
- Fixture Wattage: 43 W
- Input Voltage: 120-277VAC 50/60Hz
- Delivered Lumens: 2179 Lm
- Dimming: Universal dimming (TRIAC / ELV / 0–10V)
- Fixture Weight: 10.8 lb. (4.89 kg)
- Available in BL - Matte Black or WH - Matte White exterior with a white diffuser

Options

- Color Temperature options: 2700K, 3000K, 3500K, 4000K

Dimensions



CIR-24P-WH-27U-30K

ORDERING GUIDE

| Category | Size | Finish | Dimming | Color Temperature |
|-------------|-----------------|----------------------|-------------------------------------|--|
| CIR | 24P | | 27U | |
| CIR Circuit | 24P 24" Pendant | BL Black WH White | 27U 120–270VAC Universal Dimming | 27K 2700K 30K 3000K 35K 3500K 40K 4000K (30K Standard) |

Example: CIR-24P-WH-27U-30K