

**Project:**

**Note:**

**Type:**

**Quantity:**

**Model#:** CIR - 32P - \_\_\_\_\_ - 27U - \_\_\_\_\_ - \_\_\_\_\_

## Description

The most recognizable, familiar and pleasing of geometric forms – the circle. Three size variations and multiple finish options augment Circuit’s heightened profile. Integrated LEDs around the circuit deliver powerful and pleasing ambient illumination in a variety of environments.

## Features

- Fixture ships with four adjustable 72" support cables
- Powder coated steel exterior shade, acrylic diffuser
- Driver located in canopy housing
- Damp location rated



**QUICK SHIP** | AVAILABLE IN 2 WEEKS

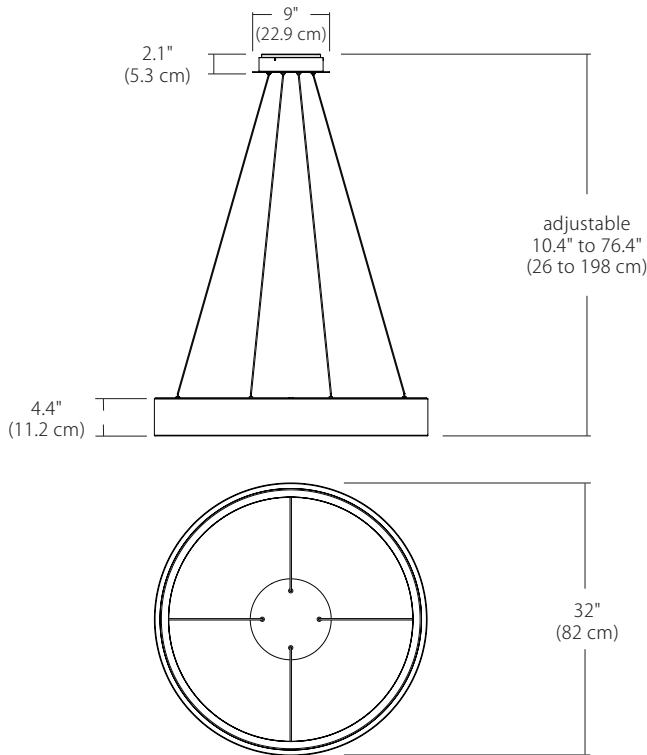
## Specifications

- Color Rendering Index: 90CRI
- LED Color Temperature: 30K (standard)
- Input Voltage: 120-277VAC 50/60Hz
- Fixture Wattage: 85 W
- Delivered Lumens: 4370 Lm
- Dimming: Universal dimming (TRIAC/ELV/0–10V)
- Fixture Weight: 14.4 lb. (6.53 kg)

## Options

- Available in BL - Matte Black or WH - White finish
- Color Temperature options: 2700K, 3000K, 3500K, 4000K

## Dimensions



CIR-32P-WH-27U-30K

## ORDERING GUIDE

Category	Size	Finish	Dimming	Color Temperature
CIR	32P		27U	
CIR Circuit	32P 32" Pendant	BL Black WH White	27U 120–270VAC Universal Dimming	27K 2700K 30K 3000K 35K 3500K 40K 4000K (30K Standard)

Example: CIR-32P-WH-27U-30K