

Project:

Type:

Quantity:

Note:

SKU#: DSQ - 10F - SN - - 30K

Description

The Disq flush mount is a well-priced fixture featuring a sharp-edged diffuser with a deep glossy look. Its simple metal housing creates a contemporary look that uses a high output LED light source.

Features

- Stamped steel construction
- Satin Nickel finish
- Clear acrylic diffuser with embedded white frosting
- Driver fits inside standard 4" junction box
- Damp location rated
- JA8-2016 Listed



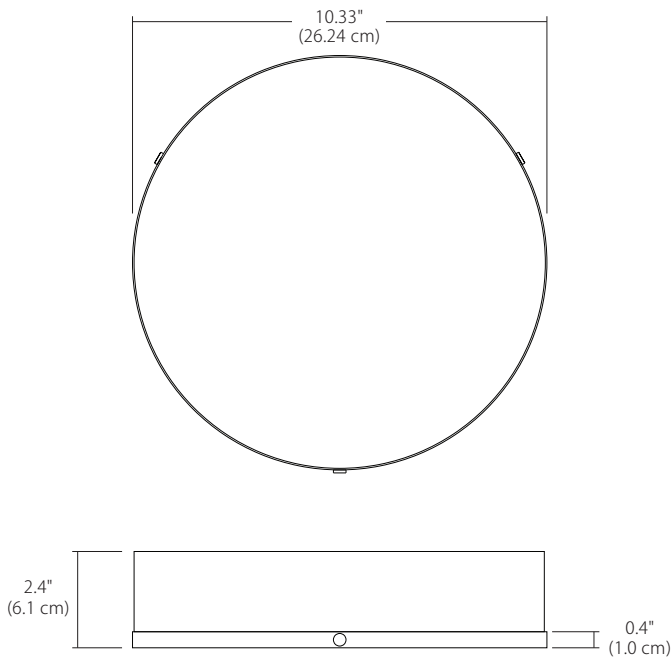
Specifications

- Color Rendering Index: 90 CRI
- Color Temperature: 30K (standard)
- Fixture Wattage: 18W
- Input Voltage: 120 VAC 50/60Hz
- Delivered Lumens: 1541 Lm (measured at 3000K)
- Dimming: TRIAC dimmable
- Fixture Weight: 3.4 lb. (1.5 kg)
- For recommended dimmers see <http://blackjacklighting.com>

Options

- Upgradeable to 120–277V input driver with universal dimming (TRIAC / ELV / 0–10V)
- Available in 2700K, 3000K, 3500K, 4000K, or 5000K Color Temperatures

Dimensions



DSQ-10F-SN-12T-30K

ORDERING GUIDE

Family	Size/Type	Finish	Volts/Dimming	Color Temperature
DSQ	10F	SN		30K
DSQ Disq	10F 10" Flush Mount	SN Satin Nickel	12T 120VAC TRIAC Dimming 27U 120–277VAC Universal Dimming (12T Standard)	27K 2700K 30K 3000K 35K 3500K 40K 4000K 50K 5000K

Example: DSQ-10F-SN-12T-30K