

Project:

Type:

Quantity:

Note:

SKU#: MLO - 24V -     -     - 30K -    

### Description

A tubular frosted acrylic diffuser paired with a stamped steel backplate adds contemporary styling to any space.

### Features

- Stamped Steel construction
- Standard Finish: SN - Satin Nickel
- Frosted acrylic tube diffuser
- Driver located inside junction box
- Damp location rated
- JA8-2016 Listed

### Specifications

- Color Rendering Index: 90 CRI
- LED Color Temperature: 3000K (Standard)
- Fixture Wattage: 21W
- Input Voltage: 120 VAC 50/60Hz
- Delivered Lumens: 1280 Lm (measured at 3000K)
- Fixture Weight: 1.9 lb. (.88 kg)
- Backplate: S4 - 4.6" x 4.6" x .5" (Standard)
- Dimming: TRIAC dimmable
- For recommended dimmers, see <http://blackjacklighting.com>

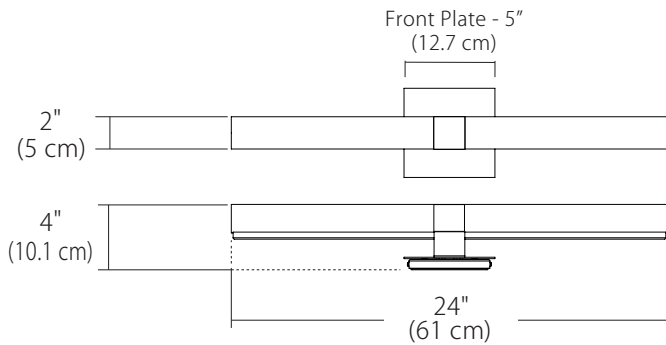
### Options

- Upgradeable to 120-277V input driver with Universal Dimming (TRIAC / 0-10V / ELV)
- Available in 2700K, 3000K, 3500K, and 4000K Color Temperatures
- Special Order Paint Finishes: BZ - Bronze, SG - Satin Gold, or BL - Matte Black
- Optional Deep Backplate (DB) - 4.6" x 4.6" x 1.3"



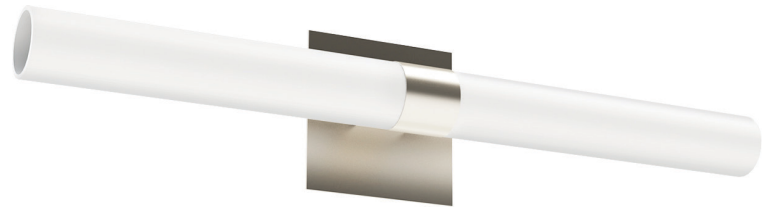
**QUICK SHIP** | AVAILABLE IN 2 WEEKS  
Shallow Backplate  
Satin Nickel  
Option Only

### Dimensions



(Shown above with standard S4 backplate)

### Fixture



MLO-24V-SN-12T-30K-S4

### ORDERING GUIDE

**Family**

**MLO**

MLO Milo

**Size**

**24V**

24V 24" Vanity

**Finish**

**Standard**  
SN Satin Nickel  
**Special Order**

BL Matte Black  
BZ Bronze  
SG Satin Gold

**Volts/Dimming**

**Standard**  
12T 120VAC TRIAC Dimming Only (All Backplates)  
**Special Order**  
27U 120-277VAC Universal Dimming (Deep Backplate Only)  
27Z 120-277VAC (0-10V Dimming Only) (Shallow S4 Backplate Only)

**Color Temp.**

**30K**


30K 3000K (Default)  
27K 2700K  
35K 3500K  
40K 4000K

**Backplate**

**Standard**  
S4 4.6" Shallow Backplate (Standard) (Driver located inside junction box)  
**Special Order**  
DB Deep Backplate (Driver located in backplate)

**Example:** MLO-24V-SN-12T-30K-S4

## Finishes

<p><b>Finish</b></p> <div style="background-color: #f0f0f0; width: 20px; height: 20px; margin-bottom: 5px;"></div> <p>SN</p> <p>BL</p> <p>BZ</p> <p>SG</p>	
	<p><b>SN</b> - Satin Nickel      <b>BL</b> - Matte Black      <b>BZ</b> - Bronze      <b>SG</b> - Satin Gold</p>
	<p><b>Standard Finish</b>      <b>Special Order Powder Coat Finishes</b></p>

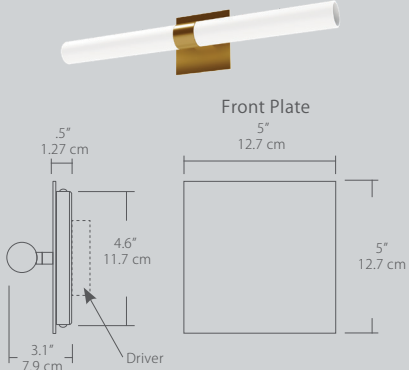
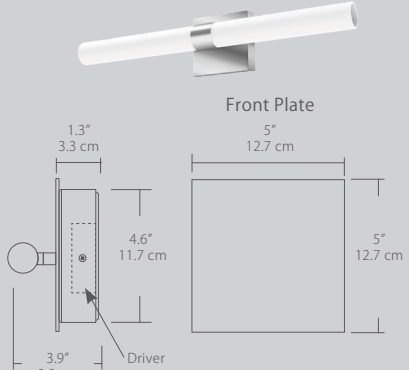
## Volts/Dimming

<p><b>Volts/Dimming</b></p> <div style="background-color: #f0f0f0; width: 20px; height: 20px; margin-bottom: 5px;"></div> <p>12T</p> <p>27U</p> <p>27Z</p>	<p><b>12T:</b> Input: 120V , Dimming: TRIAC (<b>Standard</b>)</p> <p><b>27U:</b> Input: 120-277V , Dimming: TRIAC/ ELV/ 0-10V (Deep Backplate Only) (<b>Special Order</b>)</p> <p><b>27Z:</b> Input: 120-277V , Dimming: 0-10V (Shallow S4 Backplate Only) (<b>Special Order</b>)</p>
--	---

## Color Temperature

<p><b>Color Temp.</b></p> <div style="background-color: #f0f0f0; width: 20px; height: 20px; margin-bottom: 5px;"></div> <p>27K</p> <p>30K</p> <p>35K</p> <p>40K</p>	<p><b>27K</b> - 2700K</p> <p><b>30K</b> - 3000K (<b>Default</b>)</p> <p><b>35K</b> - 3500K</p> <p><b>40K</b> - 4000K</p>
---	--

## Backplates

<p><b>Backplates</b></p> <div style="background-color: #f0f0f0; width: 20px; height: 20px; margin-bottom: 5px;"></div> <p>S4</p> <p>DB</p>		
	<p><b>Standard Backplate</b></p> <p><b>S4</b> - 4.6" Shallow Backplate (4.6" H, 4.6" W, .5" D) - Driver located inside junction box</p>	<p><b>Special Order Backplate</b></p> <p><b>DB</b> - Deep Backplate (4.6" H, 4.6" W, 1.3" D) - Driver located inside backplate</p>