

Project:

Type:

Quantity:

Note:

SKU#: MLO - 36V -     -     - 30K -    

### Description

A tubular frosted acrylic diffuser paired with a stamped steel backplate adds contemporary styling to any space.

### Features

- Stamped Steel construction
- Standard Finish: SN - Satin Nickel
- Frosted acrylic tube diffuser
- Driver located in junction box
- Damp location rated
- JA8-2016 Listed



**QUICK SHIP** | AVAILABLE IN 2 WEEKS

Shallow Backplate  
Satin Nickel  
Option Only

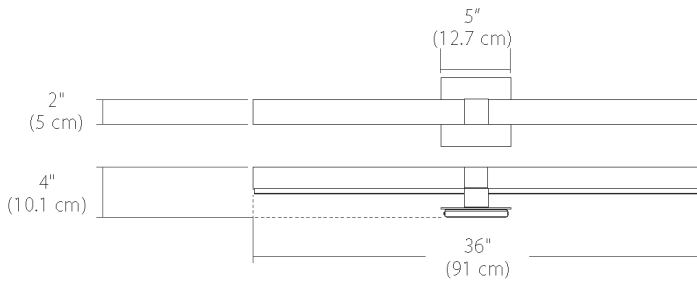
### Specifications

- Color Rendering Index: 90 CRI
- LED Color Temperature: 3000K (Standard)
- Fixture Wattage: 21W
- Input Voltage: 120 VAC 50/60Hz
- Delivered Lumens: 1780 Lm (measured at 3000K)
- Fixture Weight: 4.8lb. (2.17kg)
- Backplate: S4 - 4.6" x 4.6" x .5" (Standard)
- Dimming: TRIAC dimmable (Standard)
- For recommended dimmers, see <http://blackjacklighting.com>

### Options

- Upgradeable to 120-277V input dimmable driver (see Ordering Guide, below)
- Available in 2700K, 3000K, 3500K, and 4000K Color Temperatures
- Special Order Paint Finishes: BZ - Bronze, SG - Satin Gold, or BL - Matte Black
- Optional Deep Backplate (DB) - 4.6" x 4.6" x 1.3"

### Dimensions



(Shown above with standard S4 blackplate)

### Fixture






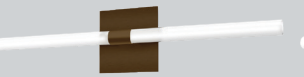

MLO-36V-SN-12T-30K-S4

### ORDERING GUIDE


Family	Size	Finish	Volts/Dimming	Color Temp.	Backplate
<b>MLO</b>	<b>36V</b>			<b>30K</b>	
MLO Milo	36V 36" Vanity	<b>Standard</b> SN Satin Nickel <b>Special Order</b> BL Matte Black BZ Bronze SG Satin Gold	<b>Standard</b> 12T 120VAC TRIAC Dimming Only (All Backplates) <b>Special Order</b> 27U 120-277VAC Universal Dimming (Deep Backplate Only) 27Z 120-277VAC (0-10V Dimming Only) (Shallow S4 Backplate Only)	<b>30K 3000K (Default)</b> 27K 2700K 35K 3500K 40K 4000K	<b>Standard</b> S4 4.6" Shallow Backplate (Standard) (Driver located inside junction box) <b>Special Order</b> DB Deep Backplate (Driver located in backplate)

**Example:** MLO-36V-SN-12T-30K-S4

## Finishes

<b>Finish</b>  SN BL BZ SG	   
	SN - Satin Nickel      BL - Matte Black      BZ - Bronze      SG - Satin Gold
	Standard Finish      Special Order Powder Coat Finishes


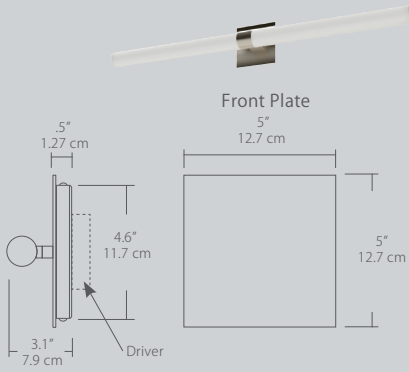
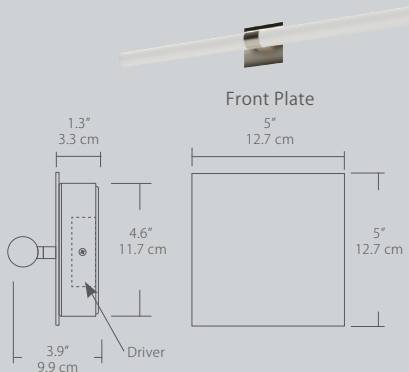
## Volts/Dimming

<b>Volts/Dimming</b>  12T 27U 27Z	12T: Input: 120V , Dimming: TRIAC (Standard) 27U: Input: 120-277V , Dimming: TRIAC/ ELV/ 0-10V (Deep Backplate Only) (Special Order) 27Z: Input: 120-277V , Dimming: 0-10V (Shallow S4 Backplate Only) (Special Order)
--	--

## Color Temperature

<b>Color Temp.</b>  27K 30K 35K 40K	27K - 2700K 30K - 3000K (Default) 35K - 3500K 40K - 4000K
---	--

## Backplates

<b>Backplates</b>  S4 DB	 <p><b>Standard Backplate</b></p> <p>S4 - 4.6" Shallow Backplate (4.6" H, 4.6" W, .5" D) - Driver located inside junction box</p>	 <p><b>Special Order Backplate</b></p> <p>DB - Deep Backplate (4.6" H, 4.6" W, 1.3" D) - Driver located inside backplate</p>
--	--	---