

Project:

Type:

Quantity:

Note:

SKU#: NAN - 14S - - - 30K -

Description

The Nano sconce represents extraordinary value. Super-efficient LED light sources inside minimal geometric forms illuminate the white frosted acrylic diffuser.

Features

- Stamped Steel construction
- Frosted acrylic extruded diffuser
- Driver located inside fixture's back plate
- Damp location rated
- JA8-2016 Listed



QUICK SHIP | AVAILABLE IN 2 WEEKS

Deep Backplate
Standard Finish
12T Triac Dimming
Option Only

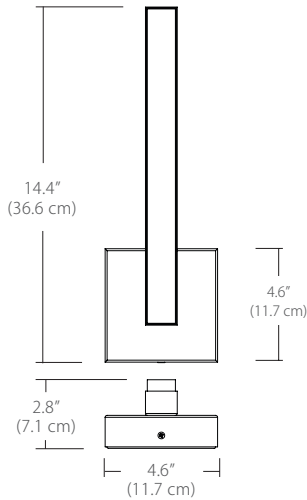
Specifications

- Color Rendering Index: 90CRI
- LED Color Temperature: 3000K (standard)
- Fixture Wattage: 14W
- Input Voltage: 120VAC 50/60Hz
- Delivered Lumens: 757 Lm (measured at 3000K)
- Fixture Weight: 2.3 lb. (1.1 kg)
- Backplate: S4 - 4.6" x 4.6" x .5" (Standard)
- Dimming: TRIAC dimmable
- For recommended dimmers, see <http://blackjacklighting.com>

Options

- Available in 2700K, 3000K, 3500K, and 4000K color temperatures
- Upgradeable to 120-277V input dimmable driver (see Ordering Guide, below)
- Standard Finishes: PC - Polished Chrome or SN - Satin Nickel
- Special Order Powder Coat Finishes: BL - Matte Black, BZ - Bronze, or SG - Satin Gold
- Optional Deep Backplate (DB) - 4.6" x 4.6" x 1.3"

Dimensions



(Shown above with Deep 4.6" Backplate)



Shown Above:
NAN-14S-SN-12T-30K-SO-DB

ORDERING GUIDE

Family

NAN

NAN Nano

Size

14S

14S 14" Sconce

Finish

- Standard**
PC Polished Chrome
SN Satin Nickel
Special Order
BL Matte Black
BZ Bronze
SG Satin Gold

Volts/Dimming

- Standard**
12T 120VAC TRIAC Dimming Only (All Backplates)
Special Order
27U 120-277VAC Universal Dimming (Deep Backplate Only)
27Z 120-277VAC (0-10V Dimming Only) (Shallow S4 Backplate Only)

Color Temp.






- 30K**
30K 3000K (Default)
27K 2700K
35K 3500K
40K 4000K

Backplate

- Standard**
S4 4.6" Shallow Backplate (Standard) (Driver located inside junction box)
Special Order
DB Deep Backplate (Driver located in backplate)

Example: NAN-14S-BZ-12T-30K-SO-S4

Finishes

| | | |
|---|---|---|
| <p>Finish</p> <div style="background-color: #cccccc; width: 20px; height: 20px; margin: 5px 0;"></div> <p>PC SN BL BZ SG</p> |   |    |
| | <p>PC - Polished Chrome SN - Satin Nickel</p> <p>Standard Finishes</p> | <p>BL - Matte Black BZ - Bronze SG - Satin Gold</p> <p>Special Order Powder Coat Finishes</p> |

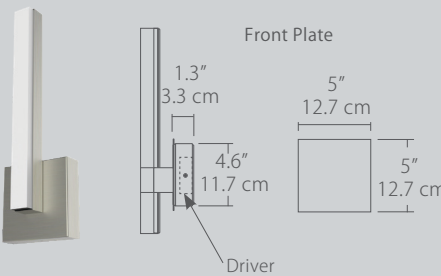
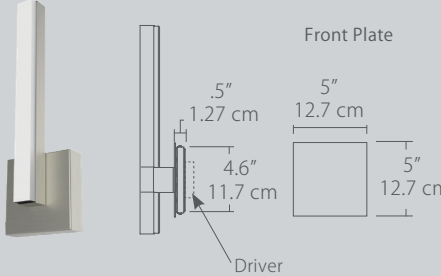
Volts/Dimming

| | |
|---|---|
| <p>Volts/Dimming</p> <div style="background-color: #cccccc; width: 20px; height: 20px; margin: 5px 0;"></div> <p>12T 27U 27Z</p> | <p>12T: Input: 120V , Dimming: TRIAC (Standard)</p> <p>27U: Input: 120-277V , Dimming: TRIAC/ ELV/ 0-10V (Deep Backplate Only) (Special Order)</p> <p>27Z: Input: 120-277V , Dimming: 0-10V (Shallow S4 Backplate Only) (Special Order)</p> |
|---|---|

Color Temperature

| | |
|---|--|
| <p>Color Temp.</p> <div style="background-color: #cccccc; width: 20px; height: 20px; margin: 5px 0;"></div> <p>27K 30K 35K 40K</p> | <p>27K - 2700K</p> <p>30K - 3000K (Default)</p> <p>35K - 3500K</p> <p>40K - 4000K</p> |
|---|--|

Backplates

| | | |
|--|--|---|
| <p>Backplates</p> <div style="background-color: #cccccc; width: 20px; height: 20px; margin: 5px 0;"></div> <p>DB S4</p> |  <p>DB - Deep Backplate - (4.6"H, 4.6"W, 1.3"D) Driver located inside Backplate</p> <p>Standard Backplate</p> |  <p>S4 - Shallow 4.6" Backplate - (4.6"H, 4.6"W, .5"D) Driver located inside J-Box</p> <p>Special Order Backplate</p> |
|--|--|---|