

Project:

Type:

Quantity:

Note:

SKU#: NAN - 36 - - - 30K -

Description

Nano vanity lights represent extraordinary value. The super-efficient LED light source inside the minimal geometric form illuminates the white frosted acrylic diffuser.

Features

- Stamped steel construction
- Frosted acrylic extruded diffuser
- Driver located in backplate of fixture
- Damp location rated
- JA8-2016 listed

Specifications

- Color Rendering Index: 90CRI
- LED Color Temperature: 3000K (standard)
- Fixture Wattage: 28W
- Input Voltage: 120VAC 50/60Hz
- Delivered Lumens: 1279 Lm (measured at 3000K)
- Fixture Weight: 8.4lb (3.8kg)
- Backplate: S4 - 4.6" x 4.6" x .5" (Standard)
- Dimming: TRIAC dimmable
- For recommended dimmers, see <http://www.blackjacklighting.com>

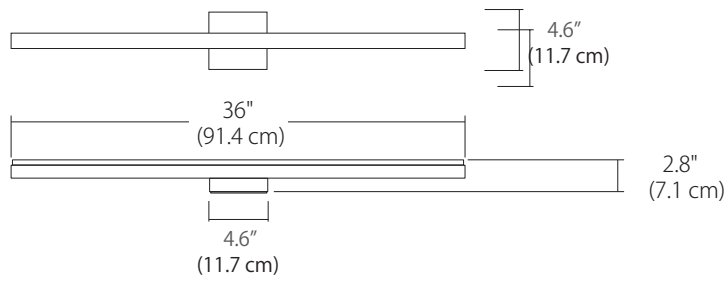
Options

- Upgradeable to 120-277V input dimmable driver (see Ordering Guide, below)
- Available in 2700K, 3000K, 3500K, and 4000K Color Temperatures
- Standard Finishes: PC - Polished Chrome, SN - Satin Nickel
- Special Order Powder Coat Finishes: BL - Matte Black, BZ - Bronze, SG - Satin Gold, or Satin Silver
- Optional Deep Backplate (DB) - 4.6" x 4.6" x 1.3"

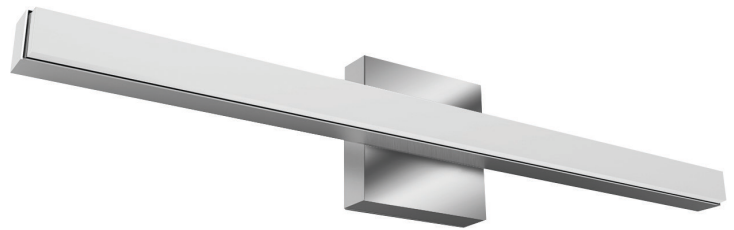


QUICK SHIP | AVAILABLE IN 2 WEEKS
Deep Backplate
Polished Chrome or Satin Silver
12T Triac
Option Only

Dimensions



(Shown above with standard Deep Backplate)



NAN-36V-PC-12T-30K-SO-DB

ORDERING GUIDE

Family

NAN

NAN Nano

Size

36V

36V 36" Vanity

Finish

- Standard**
PC Polished Chrome
SN Satin Nickel
Special Order
BL Matte Black
BZ Bronze
SG Satin Gold
SS Satin Silver

Volts/Dimming

- Standard**
12T 120VAC TRIAC Dimming Only (All Backplates)
Special Order
27U 120-277VAC Universal Dimming (Deep Backplate Only)
27Z 120-277VAC (0-10V Dimming Only) (Shallow S4 Backplate Only)

Color Temp.






30K

- 30K 3000K (Default)
27K 2700K
35K 3500K
40K 4000K


Backplate

- Standard**
S4 4.6" Shallow Backplate (Standard) (Driver located inside junction box)
Special Order
DB Deep Backplate (Driver located in backplate)

Example: NAN-36V-PC-12T-30K-S4

Finish  PC SN BL BZ SG SS	Standard Finishes  PC Polished Chrome  SN Satin Nickel	Special Order Powder Coat Finishes  BL Black  BZ Bronze  SG Satin Gold  SS Satin Silver
--	---	--

Volts/Dimming



12T
27U
27Z

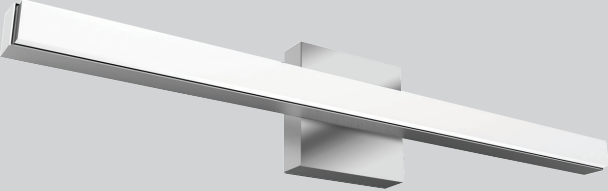
12T: Input: 120V , Dimming: TRIAC (Standard)
27U: Input: 120-277V , Dimming: TRIAC/ ELV/ 0-10V (Deep Backplate Only) (Special Order)
27Z: Input: 120-277V , Dimming: 0-10V (Shallow S4 Backplate Only) (Special Order)

Color Temperature

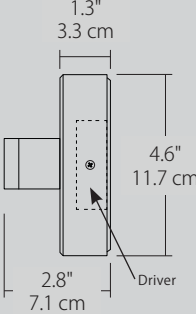


27K 30K 35K 40K

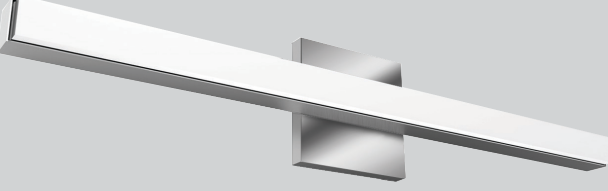
27K 2700K 30K 3000K (Default) 35K 3500K 40K 4000K



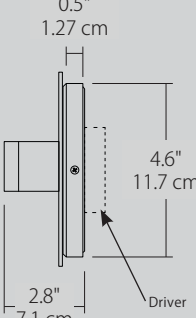
Front Plate



DB - Deep Backplate (Standard)
4.6" H, 4.6" W, 1.3" D
Driver located inside Backplate



Front Plate



S4 - Shallow Backplate (Optional)
4.6" H, 4.6" W, .5" D
Driver located inside J-Box