

# KSS-3321-1

(PREVIOUSLY KSS-001)



## Dimensions

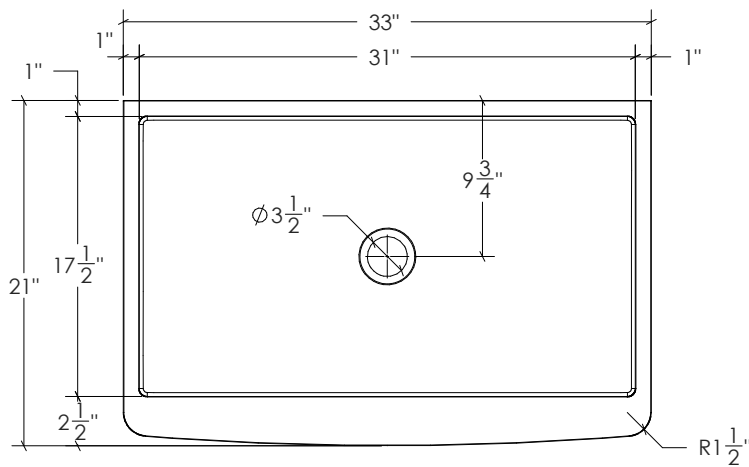
- 33" x 21" x 9"
- All dimensions are nominal

## Features

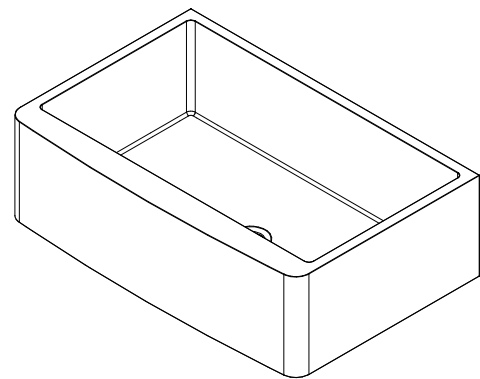
- Single Basin Undermount 10 Radius Sink
- Material: 304 Stainless Steel, 18 Gauge
- Chrome Nickel Content 18/10
- Handmade Construction
- High Luster Finish
- With Undercoating and Padding
- Apron Front 10mm Radius
- Recommended Drain DS-005 Provided

## Warranty

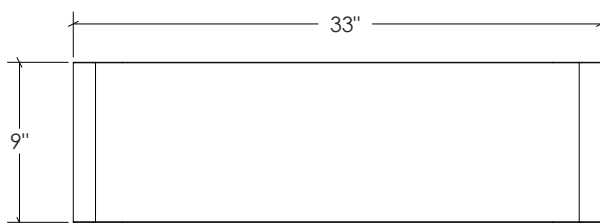
- This product carries a limited lifetime warranty on all finishes. All works parts are guaranteed from the date of purchase against all manufacturing defects. Meets or exceeds the following standards and codes: ASME A112.19.2 / CSA B45.



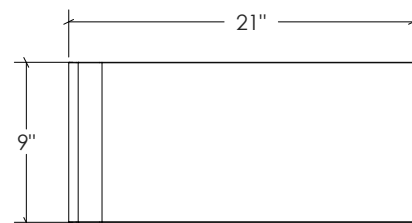
TOP VIEW



3D VIEW



FRONT VIEW



SIDE VIEW