

Taos Wall Bracket with Outlet  
17-35

## Installation Instructions



### Tools You Will Need



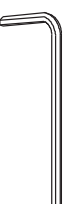
Adjustable Wrench



Screwdriver



Teflon Tape



Allen Wrench

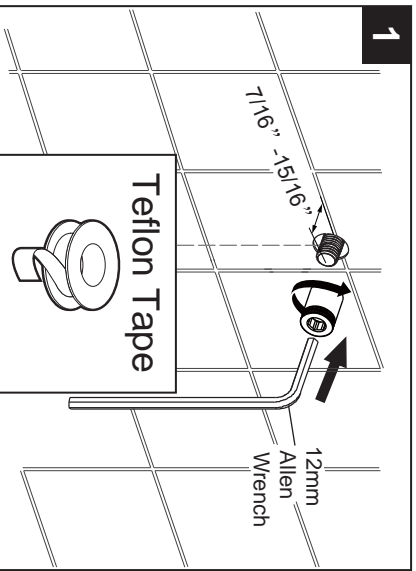
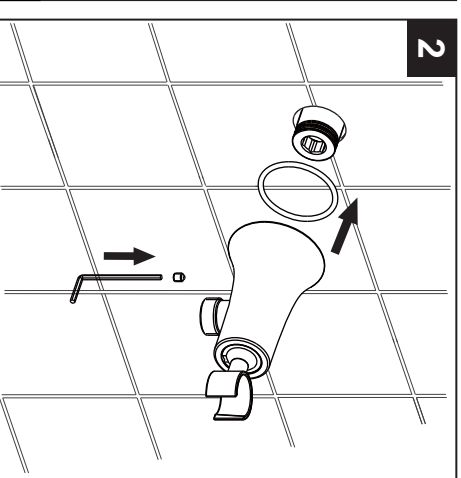
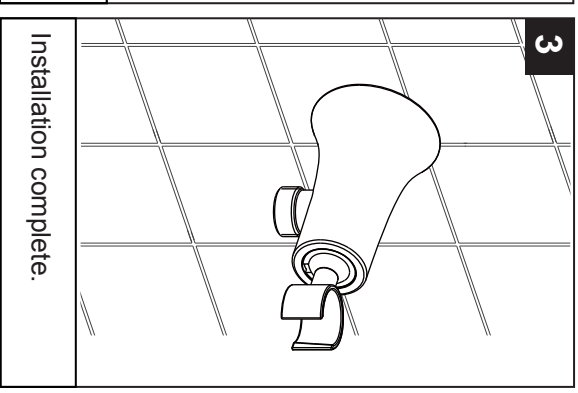
For ease of installation you will need:

- To read the installation instructions completely before beginning.
- To read all warnings, care, and maintenance information.

Before beginning installation, check for any damage that may have occurred during transport.

**Note: Damage claims cannot be made during or after installation.**

### Installation Instructions

<p><b>1</b></p>  <p>Apply teflon tape to supply nipple. Thread on supply nipple to 1/2" NPT water supply. Apply teflon tape to supply nipple and thread on bushing with 12mm allen wrench.</p>	<p><b>2</b></p>  <p>Slide on hand shower supply outlet trim assembly and secure with set screw.</p>	<p><b>3</b></p>  <p>Installation complete.</p>
--	---	---

### Cleaning Instructions

Rinse away any traces of soap and gently dry with a clean, soft cloth after each use. Rinse completely with water and dry any overspray. This will maintain the finish and avoid water spotting.

To remove mineral deposits, use a 50/50 solution of white vinegar and water. Do not allow the solution to soak on the product.

Simichrome Polish® contains a protective film to enhance maintenance and is helpful in preventing water spot buildup. Follow instructions to ensure optimum results.

Never use an abrasive material such as a brush or scouring pad to clean the surface. The use of abrasive cleaners, cleansers or disinfectants will alter the surface finish and void the warranty.

Do not allow certain materials such as toothpaste, cologne, shaving cream, nail polish remover, vinegar, wine, drain and glass cleaners to remain on the surface. Prolonged contact will alter surface finishes and void the warranty.

**We DO NOT recommend using any household cleaners as many can cause damage to the finish.** Please see the website for care instructions for specific finishes.

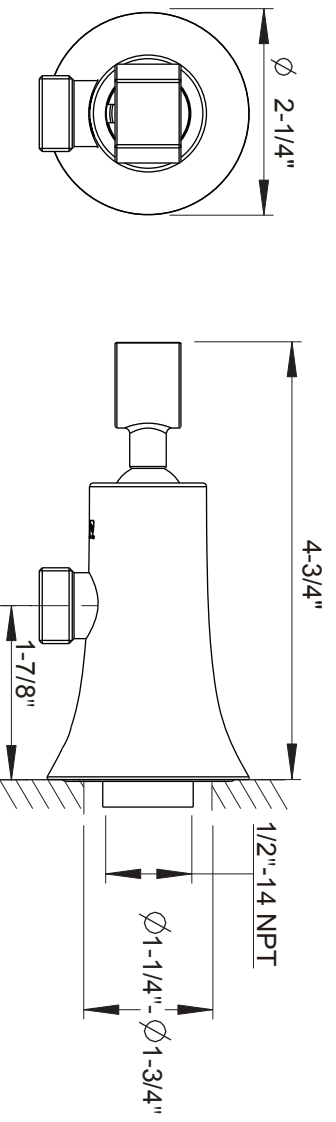
### Applicable Standards/Codes

IAPMO certified to meet or exceed the following:

- ASME A112.18.1/CSA B125.1
- Uniform Plumbing Code
- National Plumbing Code of Canada



### Installation Dimensions



**Warranty** - This Crosswater London product is covered by a limited lifetime warranty. For full details, terms and conditions please visit our website.

For further information contact: **Crosswater London**, 393 Fortune Blvd., Milford, MA 01757

Toll free number: 844-XWATER-1 (844-992-8371)

tel: 508-381-0433

fax: 508-381-6068

[www.crosswaterlondon.com](http://www.crosswaterlondon.com)  
email: [technical@crosswaterlondon.com](mailto:technical@crosswaterlondon.com)