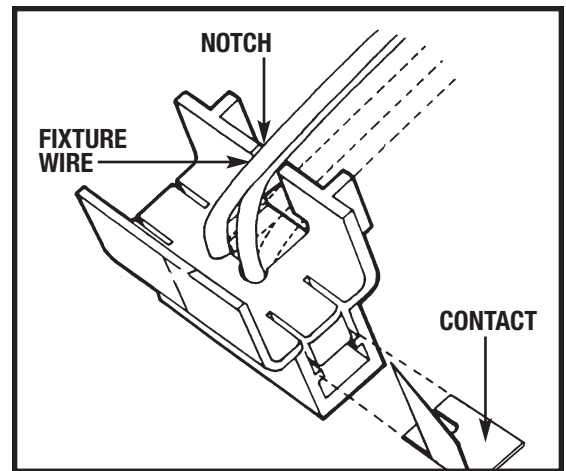


# INSTALLATION AND SAFETY INSTRUCTIONS

## IMPORTANT SAFETY INSTRUCTIONS

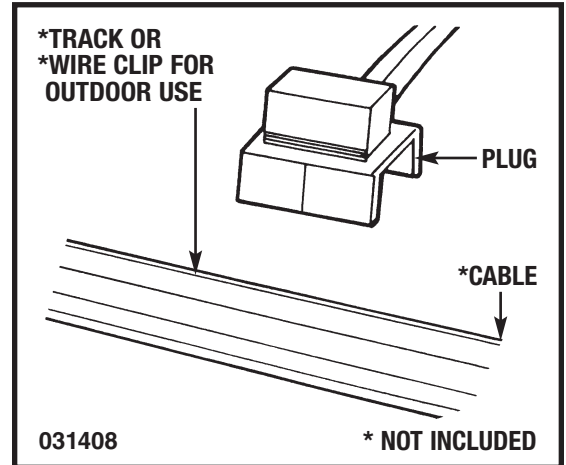
HC-202

- Be sure the electricity to the system you are working on is turned off; either the fuse removed or the circuit breaker set at off.
- Use of other manufacturers components will void warranty, listing and create a potential safety hazard.
- Exceeding maximum wattage may result in over-heating conductors.
- Read instructions carefully.
- If you are unclear as to how to proceed, contact a qualified electrician.
- Save these instructions.



## INSTALLATION FOR 9488 and 9477

1. Follow instructions supplied with transformer and accessories to install the lighting system desired.
2. Cut the wire to desired length.
3. Split ends of wire about (1/2") and insert each end of the wire as far as possible into the plug. Using excessive force can cause wires to fragment which may cause arcing. Do not strip any insulation off the wire.
4. Insert contact into one end of plug and press or use pliers until contact is flush with plug. Repeat with other contact (see illustration).
5. Twist wires sideways, insert into notch in plug and twist back straight.
6. Snap plug on track and cable.

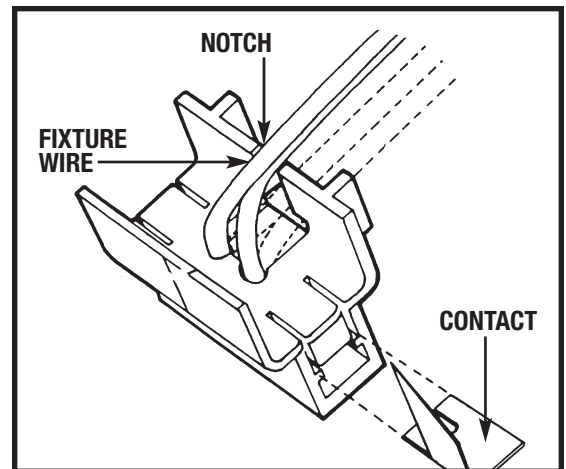


# INSTALLATION AND SAFETY INSTRUCTIONS

## IMPORTANT SAFETY INSTRUCTIONS

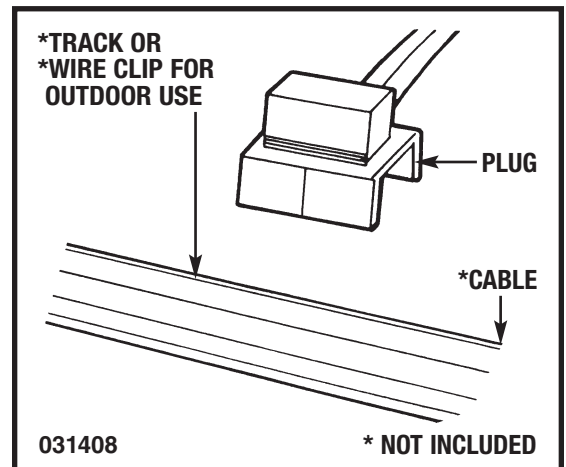
HC-202

- Be sure the electricity to the system you are working on is turned off; either the fuse removed or the circuit breaker set at off.
- Use of other manufacturers components will void warranty, listing and create a potential safety hazard.
- Exceeding maximum wattage may result in over-heating conductors.
- Read instructions carefully.
- If you are unclear as to how to proceed, contact a qualified electrician.
- Save these instructions.



## INSTALLATION FOR 9488 and 9477

1. Follow instructions supplied with transformer and accessories to install the lighting system desired.
2. Cut the wire to desired length.
3. Split ends of wire about (1/2") and insert each end of the wire as far as possible into the plug. Using excessive force can cause wires to fragment which may cause arcing. Do not strip any insulation off the wire.
4. Insert contact into one end of plug and press or use pliers until contact is flush with plug. Repeat with other contact (see illustration).
5. Twist wires sideways, insert into notch in plug and twist back straight.
6. Snap plug on track and cable.

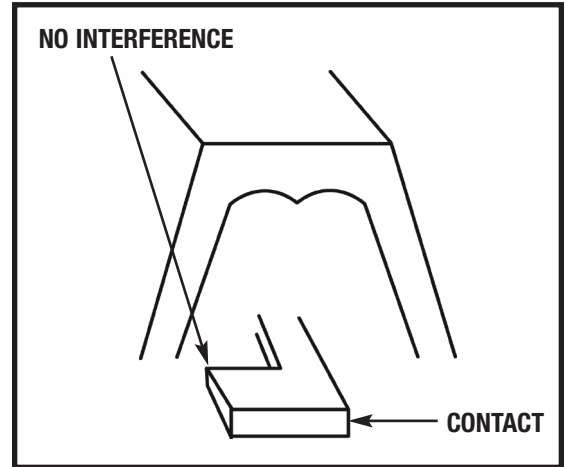
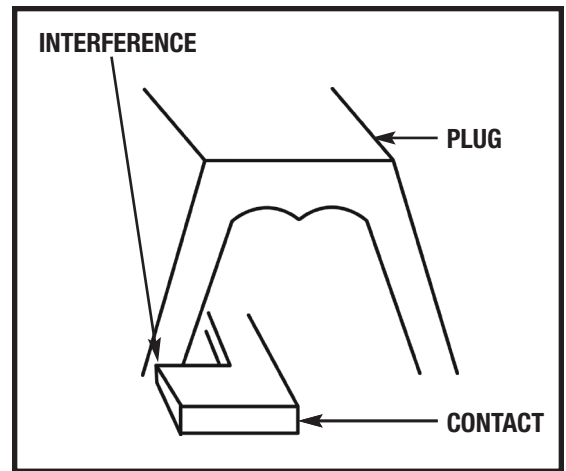


# INSTALLATION AND SAFETY INSTRUCTIONS

CONTINUED

HC-202

**NOTE:** Contacts need to be properly aligned to be able to slide into the plug. If necessary, use pliers to gently move contact into alignment.



# INSTALLATION AND SAFETY INSTRUCTIONS

CONTINUED

HC-202

**NOTE:** Contacts need to be properly aligned to be able to slide into the plug. If necessary, use pliers to gently move contact into alignment.

