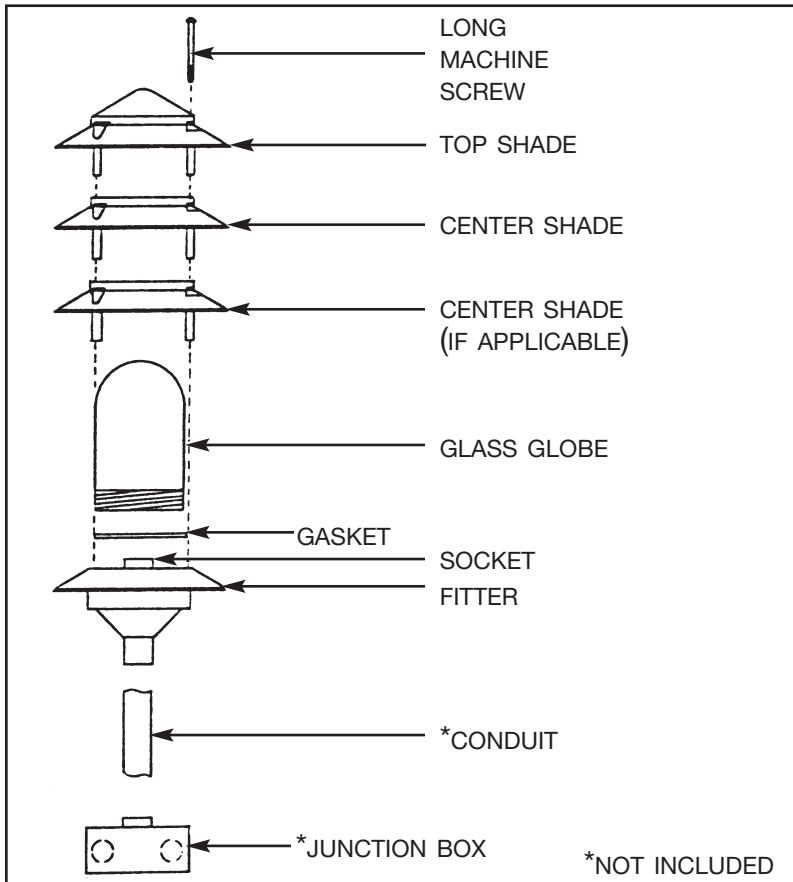


INSTALLATION AND SAFETY INSTRUCTIONS



GENERAL

You don't need special tools to install this fixture. Be sure to follow the steps in the order given. Under no circumstances should a fixture be hung on house electrical wires, nor should a swag type fixture be installed on a ceiling which contains a radiant type heating system. NOTE: Proper wiring is essential for the safe operation of this fixture. Read instructions carefully. **If you are unclear as to how to proceed, consult a qualified electrician.**

WARNING: BE SURE THE ELECTRICITY TO THE WIRES YOU ARE WORKING ON IS SHUT OFF. EITHER THE FUSE REMOVED OR THE CIRCUIT BREAKER OFF .

NOTE: FOR FIXTURES PROVIDED WITH 75°C OR 90°C SUPPLY WIRE ONLY – (THESE WARNINGS ARE PROVIDED ON THE U.L. LABEL AND ON THE FIXTURE CARTON): RISK OF FIRE. MOST DWELLINGS BUILT BEFORE 1985 HAVE SUPPLY WIRE RATED 60°C. CONSULT A QUALIFIED ELECTRICIAN BEFORE INSTALLING.


HC-447

110713

NOTE: If fixture is assembled, follow steps one and two.

1. To disassemble fixture, remove three long machine screws and remove shade sections.
2. Unscrew glass globe from fitter.

IF SUPPLY WIRES ARE LOCATED WITHIN 3" OF BALLAST, USE WIRE RATED FOR FOR AT LEAST 90°C.

3. Slip fixture wires into length of conduit or weather resistant box and tighten securely.
4. Take note of the color of the wire(s) on your fixture. Identify which group your fixture wire(s) falls into and connect the wires according to the directions below:

GROUP A: Connect to Black House Wire	GROUP B: Connect to White House Wires
BLACK	WHITE
PARALLEL WIRE (ROUND & SMOOTH)	*PARALLEL WIRE (SQUARE & RIDGED)
WHITE OR GREY WITH TRACER	WHITE OR GREY WITHOUT TRACER
BROWN, GOLD, OR BLACK WITHOUT TRACER	BROWN, GOLD, OR BLACK WITH TRACER

NOTE: When parallel wire (SPT 1 & SPT 2) is used, the tracer wire is square shaped or ridged and the less tracer wire is round in shape or smooth. (Seen best when viewed from wire end.) To separate wires, grasp the ends of each wire and pull apart.

NOTE: If fixture is assembled, follow steps one and two.

5. Take your fixture wire(s) from group A and place evenly against the black wire from the outlet box and twist together the bare parts of the metal.
6. Fit a wire connector (not supplied.) over the twisted wires and screw the connector clockwise until you feel a firmness.
7. Try gently to pull the connector off the wires. If you can pull the connector off, carefully repeat steps 4 and 5 and check again for a firm connection.
8. Connect the fixture wire from group B to the white wire from the outlet box in the same manner.
9. **GROUNDING INSTRUCTIONS:** Connect fixture ground wire to green ground wire. **NEVER CONNECT GROUND WIRE TO BLACK OR WHITE POWER SUPPLY WIRES.**

FINAL INSTALLATION

1. Install lamp (not furnished). With gasket in place, screw glass globe into fitter.
2. Slide center shade (if applicable) down over glass globe and seat into fitter.
3. Slide top shade over glass globe and seat into center shade.
4. Thread long screws into fitter.