



shown in Textured Bronze
with 60" Walnut blades

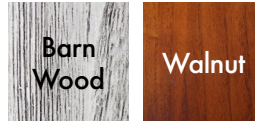


Irene-3HLK

Designed in 2016

Cutting a figure like no other, the Irene-3HLK ceiling-mount fan, is rustic, yet strikingly modern with three neatly joined, solid wood walnut or barn wood tone blades. A cylindrical motor housing complements its minimal profile. Irene-3HLK is streamline while still appearing warm and natural. Constructed of cast aluminum and heavy stamped steel, the Irene-3HLK has a limited lifetime warranty.

Blade Options



shown in Brushed Nickel
with 42" Barn Wood blades
and optional light cover



shown in Gloss White
with 52" Walnut blades



shown in Matte Black
with 42" Walnut blades



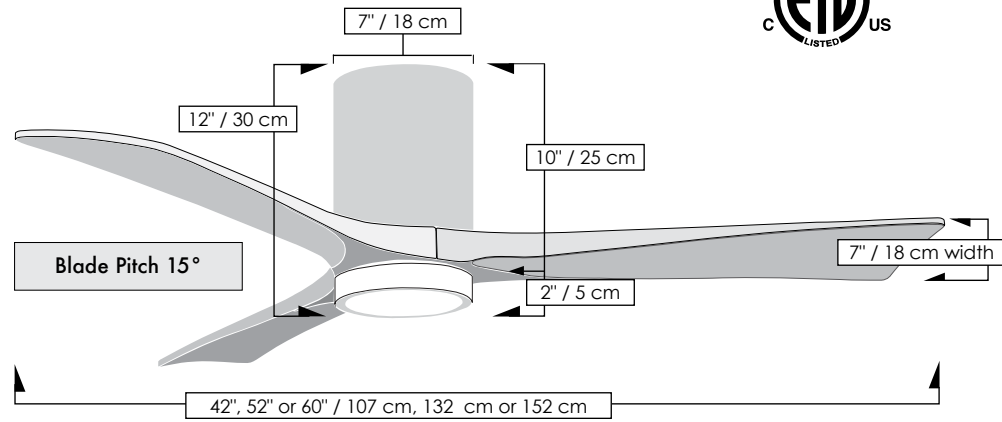
shown in Polished Chrome
with 52" Barn Wood blades

Irene-3HLK

TECHNICAL SPECIFICATIONS

SKU NAMING CONVENTION

SKU#	IR3HLK-XX-XX-XX (Model+Finish+Blade+Diameter)	
Standard Finishes	Brushed Nickel	- BN
	Polished Chrome	- CR
	Textured Bronze	- TB
	Gloss White	- WH
	Matte Black	- BK
Blade Finish	Barn Wood Tone	- BW
	Walnut Tone	- WA
Fan Diameter	42 inches / 107 cm	- 42
	52 inches / 132 cm	- 52
	60 inches / 152 cm	- 60



STANDARD EQUIPMENT

Light cover

6-speed RF remote control with reverse function in black



Wireless Decora-style, 6-speed, wall control in white



WARNING:
Only compatible with included controllers.

FAN SPECIFICATIONS

Fan Diameters	inches: 42, 52 or 60 centimeters: 107, 132 or 152
Overall Drop	10 inches / 25 cm
Fan Weight	12 lbs
Voltage	110 or 220
Motor Type	DC
Environment	Damp locations for all finishes Neither coastal, saltwater nor chlorine compatible
Ambience	Silent
Safety Certification	ETL / CETL
Warranty	Limited Lifetime

CEILING PITCH TABLE

0/12	0 degrees
1/12	4.76 degrees
2/12	9.46 degrees
3/12	14.04 degrees
4/12	18.43 degrees
5/12	22.62 degrees
6/12	26.57 degrees
7/12	30.26 degrees
8/12	33.69 degrees
9/12	36.87 degrees
10/12	39.81 degrees
11/12	42.51 degrees

NEW JAN 21, 2020 DOE MOTOR EFFICIENCY DATA

	42 inch / 107 cm	52 inch / 132 cm	60 inch / 152 cm
RPM (Low / High)	50 / 232	51 / 212	51 / 152
CFM (Low / High)	701 / 3573	1057 / 5047	1783 / 5878
Watts (High)	17.61	32.49	30.81
CFM/Watt (High)	203.00	155.35	190.78
Blade Pitch	15°	15°	15°

LIGHT KIT PHOTOMETRICS

Lamping (Replaceable)	Remote Dimmable	Delivered Temperature in K	Delivered Lumens	CRI	Watts	Hours
Integrated LED	Yes	3075	690	90	16	60,000

Light kit longevity if used 6 Hours/Day: 27.4 Years

CEILING HEIGHT TABLE

Suitable for ceiling heights 7'10" or greater

Matthews Fan Company

1881 Industrial Drive
Libertyville, IL 60048
Tele: 847.680.9043
Fax: 847.680.8140
www.matthewsfanco.com

© 2019 Matthews Fan Company. All rights reserved.

