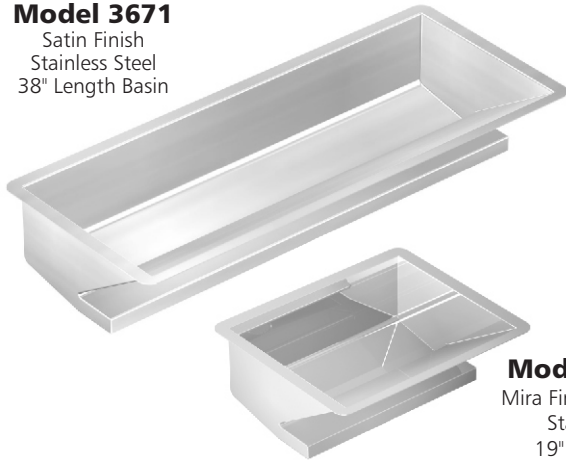


## Deep Ebb® Basin

### Model 3671

Satin Finish  
Stainless Steel  
38" Length Basin



**Model 3670-HP**  
Mira Finish (High Polish)  
Stainless Steel  
19" Length Basin

\* U.S. Design Patents D468,815 & D474,835

- **HIDDEN DRAIN BASIN (Patented Design)**
- **"Deep" Depth of 7-1/4" (184 mm)**
- **Heavy 14-Gage Stainless Steel Construction**
- **Standard Overall Lengths:**  
 Model 3668 16" (406 mm)  
 Model 3670 19" (483 mm)  
 Model 3671 38" (965 mm)  
**PLEASE CONTACT NEO-METRO FOR CUSTOM LENGTHS (Separate Specification Sheet Available)**
- **Satin Finish is Standard;**  
 Optional Mira (High Polish) Finish, White Gloss Powdercoat or Black Matte Powdercoat are available
- **Can be Installed as a Drop-in or Undermount Inset Basin**
- **Fold can be Installed Towards or Away from Faucet**
- **Laminar (Soft Flow) Faucet is Recommended (FAUCET NOT INCLUDED)**
- **Ebb Basin is also available in Shallow and Symmetric Configurations.**



This product is compliant with Canadian UPC and IAPMO requirements.



Member of U.S. Green Building Council



Recyclable Product

**DESCRIPTION**

**MODEL/OPTION #**

**ORDERING OPTIONS**

INIT.



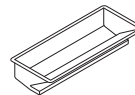
**16" Length Deep Ebb Basin**

- Satin (standard) 3668
- Mira (high polish) 3668-HP
- White Gloss Powdercoat 3668-EG-10
- Black Matte Powdercoat 3668-EG-22



**19" Length Deep Ebb Basin**

- Satin (standard) 3670
- Mira (high polish) 3670-HP
- White Gloss Powdercoat 3670-EG-10
- Black Matte Powdercoat 3670-EG-22



**38" Length (Trough) Deep Ebb Basin**

- Satin (standard) 3671
- Mira (high polish) 3671-HP
- White Gloss Powdercoat 3671-EG-10
- Black Matte Powdercoat 3671-EG-22



**Option for Ebb Basin**

- Overflow Waste Outlet - OF

**The Deep EBB Basin is available as an inset basin. It is also the featured basin in the EBB Concept.**

<b>EBB Basin</b>	<b>EBB Concept Models</b>
3668	9108 or 9108-WM
3670	9110 or 9110-WM
3671	9112 or 9112-WM



**APPROVAL FOR MANUFACTURE**

COMPANY: \_\_\_\_\_

PROJECT NAME: \_\_\_\_\_

SIGNEE'S NAME WRITTEN CLEARLY: \_\_\_\_\_

DATE \_\_\_\_\_

AUTHORIZED SIGNATURE: \_\_\_\_\_

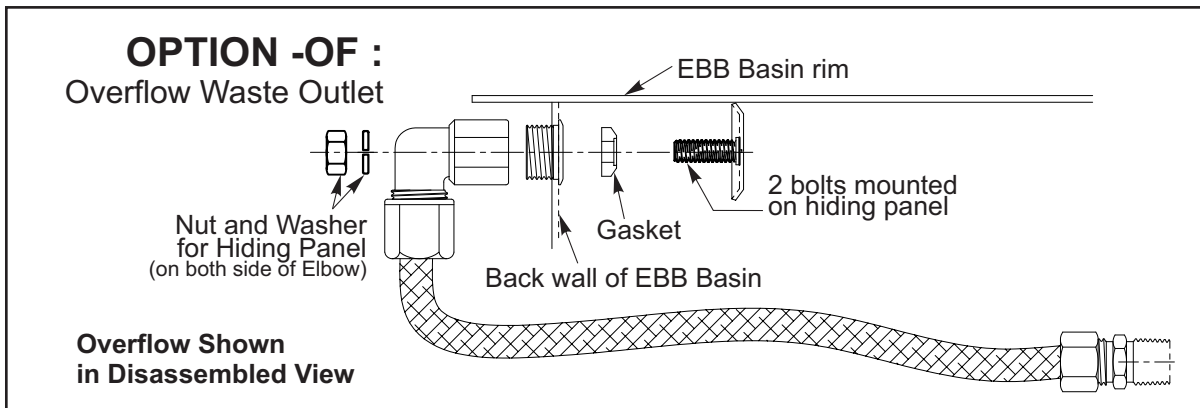
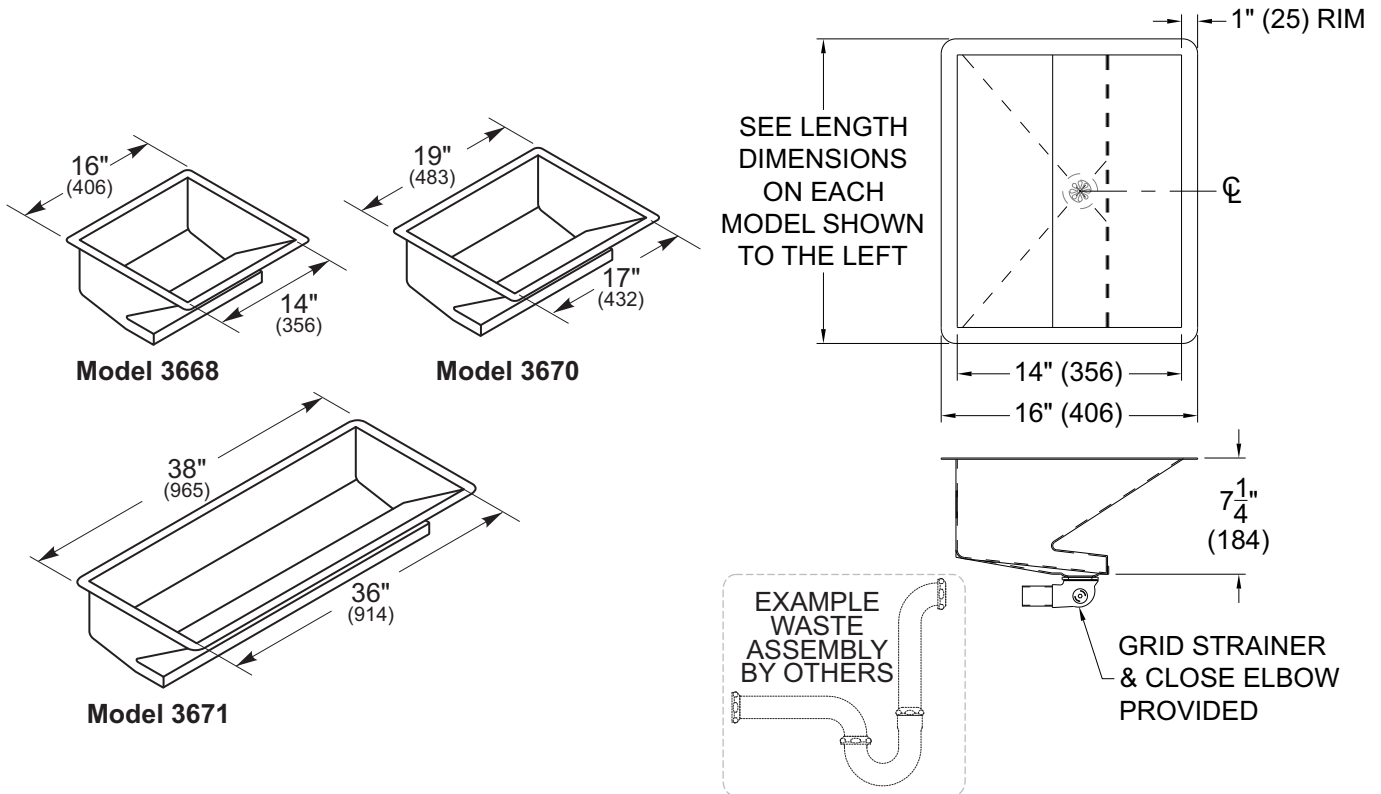
**WARNING:** Cancer and Reproductive Harm - [www.P65Warnings.ca.gov](http://www.P65Warnings.ca.gov)

## Deep Ebb® Basin

**PRODUCT Specification . . .** The Deep Ebb Basin is manufactured from 14-gage, Type 304 stainless steel. Satin Finish stainless steel basin is standard. Mira (High Polish) Finish, White Gloss Powdercoated and Black Matte Powdercoated stainless steel fixtures are also available. The basin includes a patented design feature of a sloped surface hiding the drain opening (U.S. Design Patents D468,815 and D474,835). Basin can be installed with fold facing towards or away from faucet (not included). The basin can be installed in a drop-in or undermount

application. The basin shall have a "Deep" depth of 7-1/4" (184 mm). The basin is available in standard overall lengths of 16" (406 mm), 19" (483 mm) or 38" (965 mm).

**PLUMBING Specification . . .** The Ebb Basin is recommended for drop-in or undermount applications. Laminar (soft flow) faucet is recommended. Faucet and waste assembly not provided. However, a grid strainer with close elbow and 1-1/4" O.D. tailpiece is provided.



Neo-Metro assumes no responsibility for use of void or suspended data. All dimensions are nominal and subject to manufacturer change without notice.

**INSTALLATION INSTRUCTIONS ARE AVAILABLE**