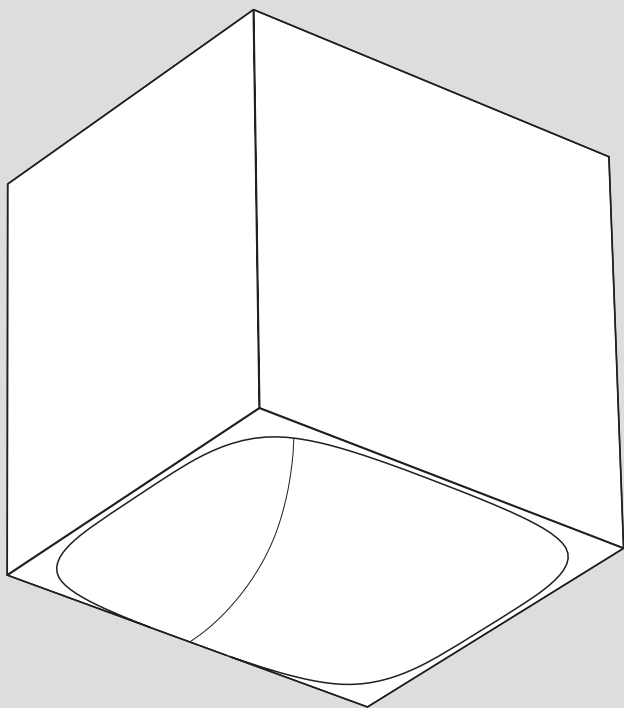


# Artemide®

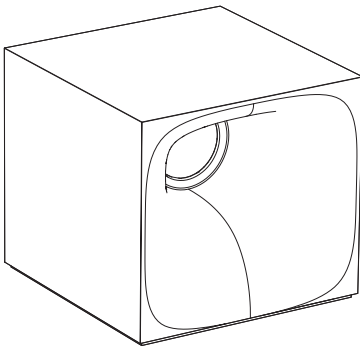
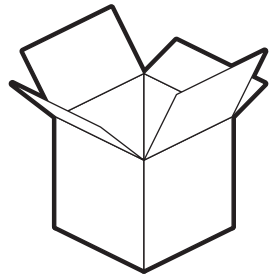
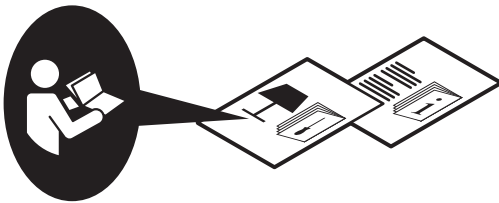
## Aede

design  
Pio & Tito Toso

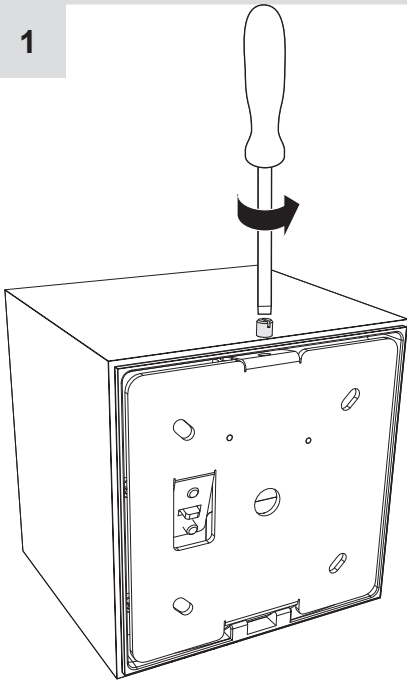




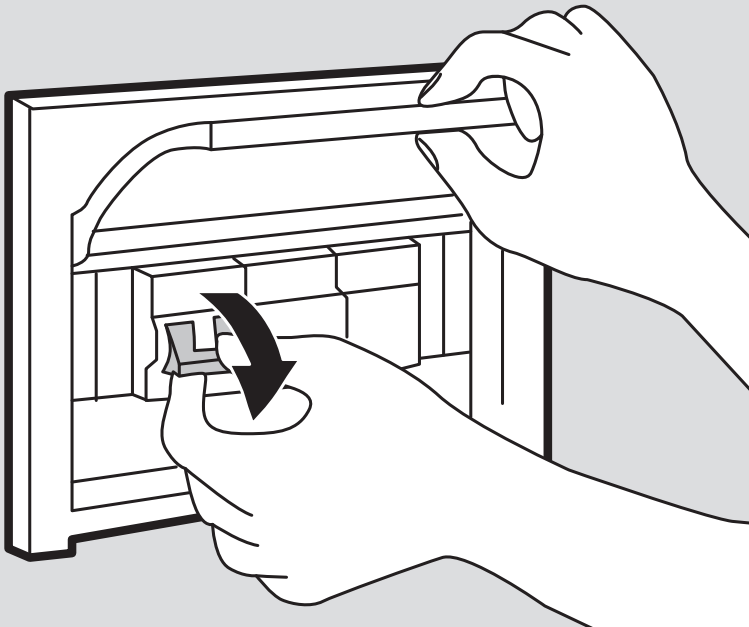
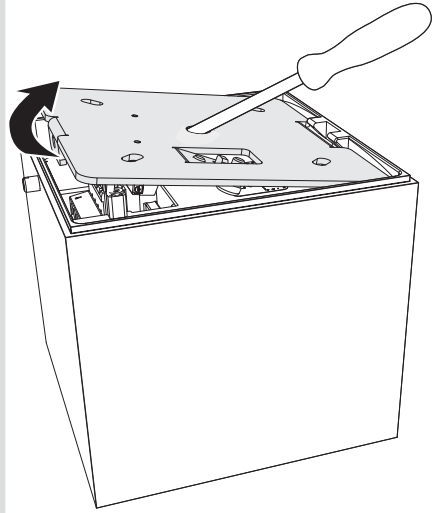
i



1



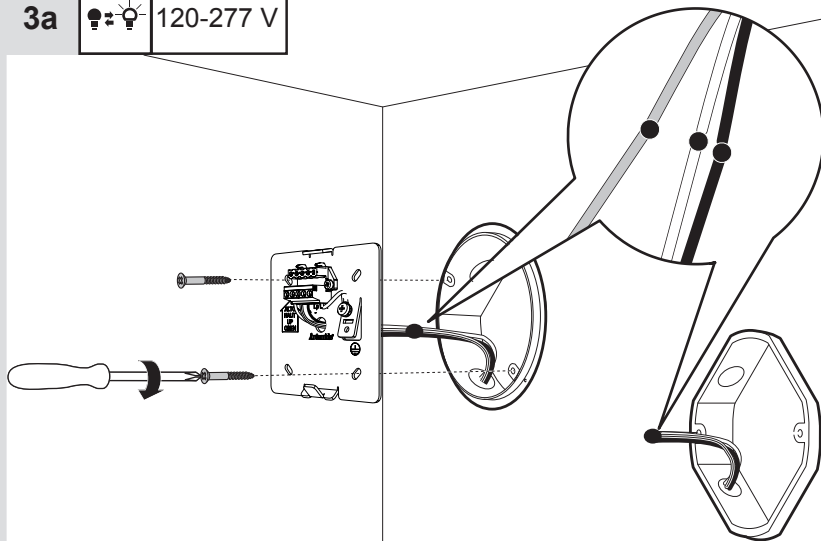
2



3a



120-277 V



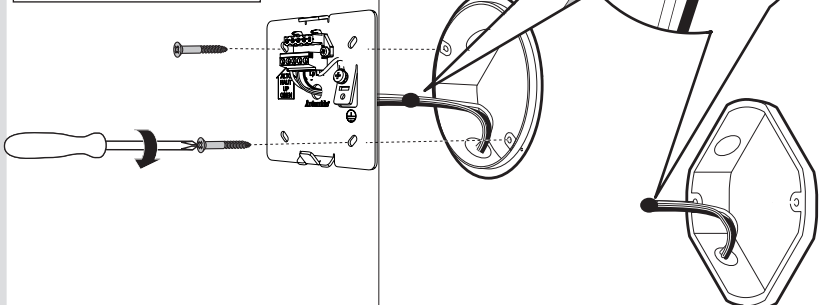
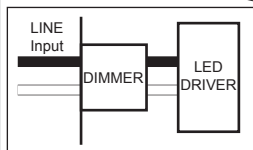
white/blanc/blanco		white/blanc/blanco
green/vert/verde		green/vert/verde
black/noir/negro		black/noir/negro

3b



120 V

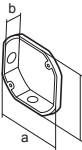
Phase cut  
Coupure de phase  
Corte de fase



white/blanc/blanco		white/blanc/blanco
green/vert/verde		green/vert/verde
black/noir/negro		black/noir/negro

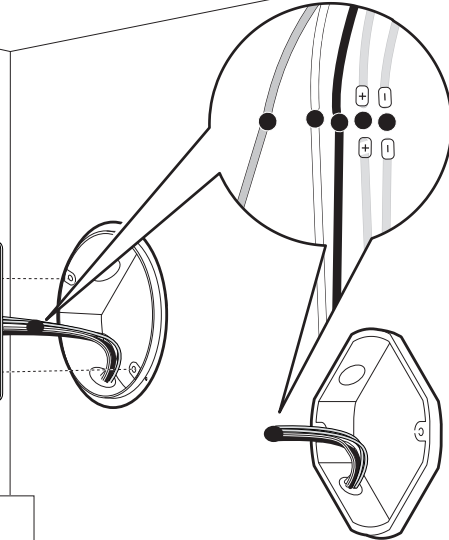
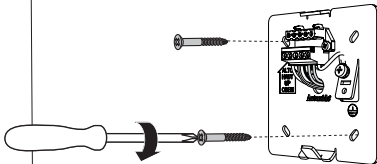
**3c****120-277 V**

1-10 V dimming control  
Dimmable 1-10 V  
Regulable mediante control 1-10 V

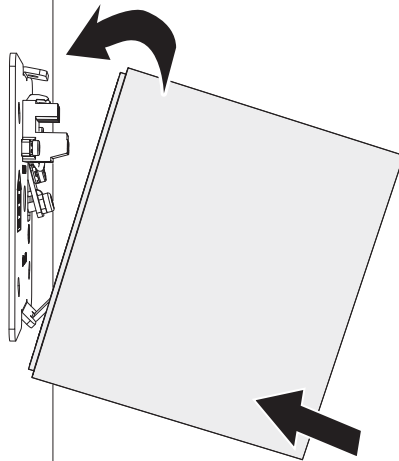
Vol = min 250cm<sup>2</sup> / 15,25 inch<sup>2</sup>

a = min 86mm / 3,4 inch

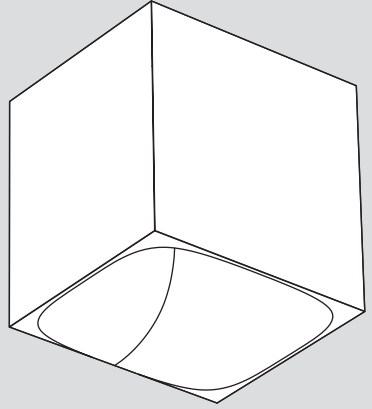
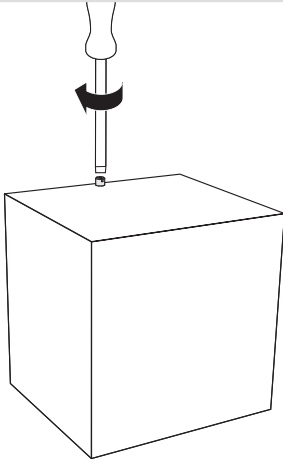
b = min 38mm / 1,5inch

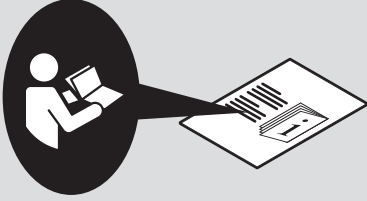


white/blanc/blanco			white/blanc/blanco
green/vert/verde			green/vert/verde
black/noir/negro			black/noir/negro
purple/violet/pùrpura			transparent/transparente
grey/gris/gris			transparent/transparente

**4**

5





# Artemide®



## **Artemide**

via Bergamo, 18  
20010 Pregnana M.se (MI)  
ITALIA

tel. +39 02 935 181  
fax +39 02 935 90 254  
fax +39 02 935 90 496

[www.artemide.com](http://www.artemide.com)

VAT IT00846890150

## **Artemide Inc.**

250 Karin Lane  
Hicksville, NY 11801

Tel. 631 694 9292  
Toll Free 1-877-Art-9111  
Fax 631 694 9275

[www.artemide.net](http://www.artemide.net)

## **Artemide Ltée/Ltd.**

11105 rue Renaude Lapointe  
Montréal, Québec H1J 2T4

Tel. 514 323 6537  
Toll Free 888 777 2783  
Fax 514 323 8864

[www.artemide.net](http://www.artemide.net)

cod. Y513000876