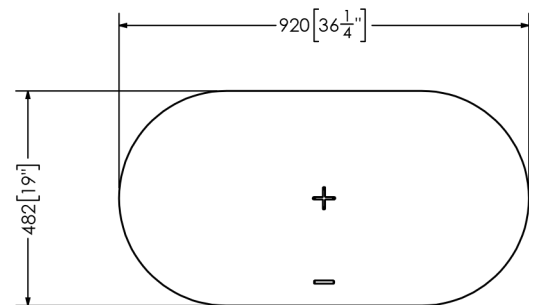
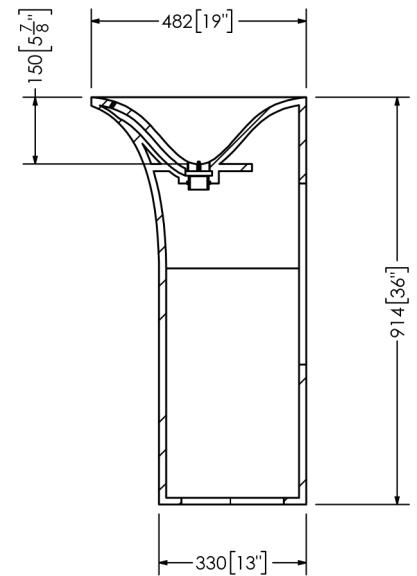
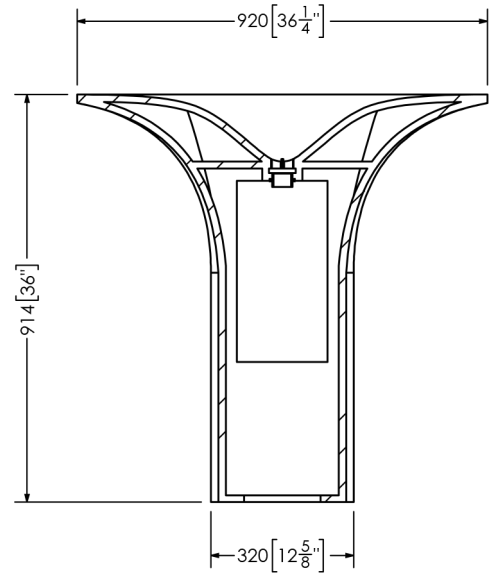




Ahri

SOPH-A1FB FreeStanding Basin



## SPECIFICATIONS

Material: Mineral Glass Composite  
 Finish: Satin Hand Finished  
 Dimension: 920mm x 482mm x 914mm  
 Weight: 27 kg (61 lbs)  
 Drain Opening: SOPHSTONE + Drain  
 Available Options: Colour Dua  
 Pantone Matching

\* SOPHSTONE + Drain has an integrated 1-1/2" threaded P-trap adapter.

\* Rear cutout for in-wall plumbing.

SOPHSTONE INC.  
[www.sophstone.com](http://www.sophstone.com)

Americas  
[sales@sophstone.com](mailto:sales@sophstone.com)  
 Phone: 1.844.539.1801

Bali, Indonesia  
[asia.sales@sophstone.com](mailto:asia.sales@sophstone.com)  
 WhatsApp: +62 819 4900 3573

