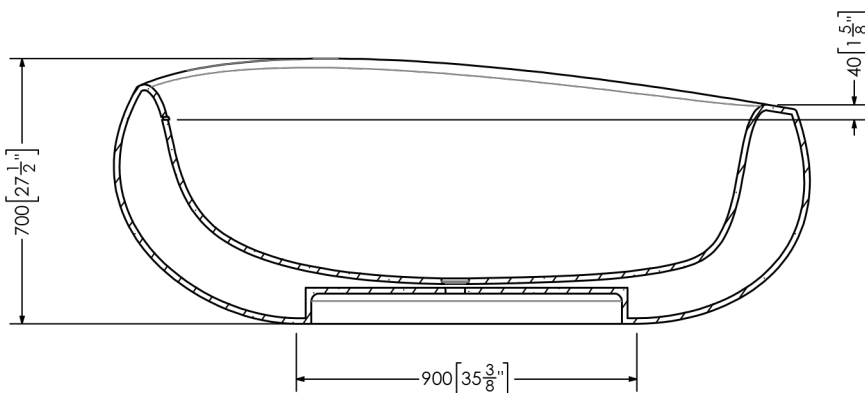
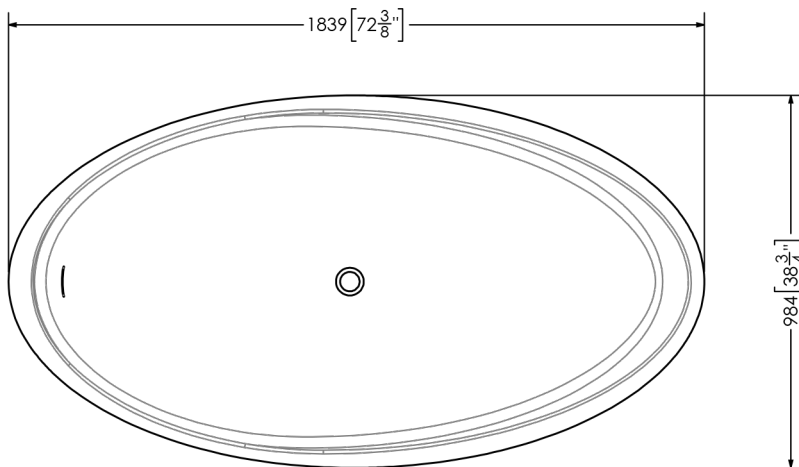




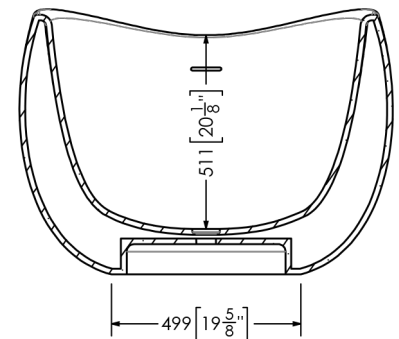
# Madison

SOPH-M1T FreeStanding Bathtub



## SPECIFICATIONS

Material:	Mineral Glass Composite
Finish:	Satin Hand Finished
Dimension:	1839mm x 984mm x 700mm
Weight:	148 kg (326 lbs)
Weight with water:	439 kg (967 lbs)
Depth to Overflow:	418 mm
Water Capacity:	291 L (77 GL)
Available Options:	Colour Dua Pantone Matching



**SOPHSTONE INC.**  
www.sophstone.com

Americas  
sales@sophstone.com  
Phone: 1.844.539.1801

Bali, Indonesia  
asia.sales@sophstone.com  
WhatsApp: +62 819 4900 3573

