

Arvina™ Rectangle Vessel Lavatory

FEATURES

- 19-11/16" W x 14-15/16" D x 2-3/4" H
- CeFiONtect™ ceramic glaze minimizes debris and mold from sticking to surface
- Thin, rounded edges achieving a decorative design
- Installation template included
- ADA compliant
- Front overflow
- Drain sold separately

MODELS

- LT425G#01

COLORS/FINISHES

- #01 Cotton

PRODUCT SPECIFICATION

This semi-recessed vessel lavatory shall be made of vitreous china. Lavatory shall be ADA compliant. Lavatory shall be TOTO Model LT425G.

CODES/STANDARDS

- Meets ADA guidelines and ANSI A117.1 requirements when top of lavatory rim is installed 864mm (34") from finished floor and lavatory is installed 70mm (2-3/4") minimum from front edge
- Meets and exceeds ASME A112.19.2/CSA B45.1
- Certifications: IAPMO(cUPC), State of Massachusetts, City of Los Angeles, and others
- Code compliance: UPC, IPC, NSPC, NPC Canada, and others
- ADA compliant



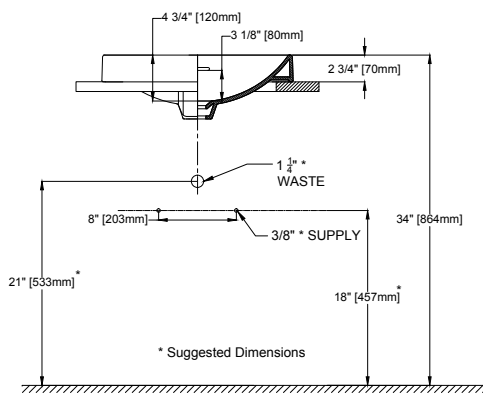
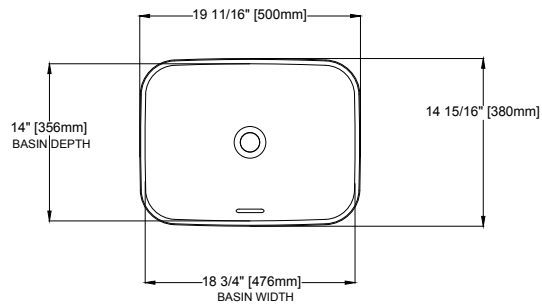
LT425G

Arvina Rectangle Vessel Lavatory

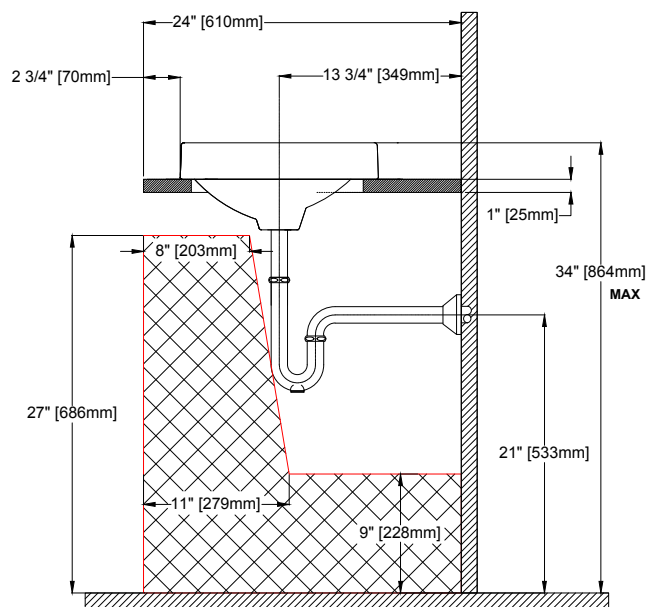
SPECIFICATIONS

Waste	1-1/4"
Size	19-11/16"W x 14-15/16"D x 2-3/4"H
Basin	18-3/4"W x 14"D
Basin Depth	4-3/4"
Warranty	One Year Limited Warranty
Material	Vitreous China
Shipping Weight	27.5 lbs
Shipping Dimensions	25-1/4" x 19-5/8" x 7-3/4"

DIMENSIONS



ADA COMPLIANCE



TOTO

These dimensions and specifications are subject to change without notice