

Collection

BIRKIN

Article

BR306_2

Description

Three holes washbasin set with low spout.

Box Dimensions

350x270x35 mm

Weight

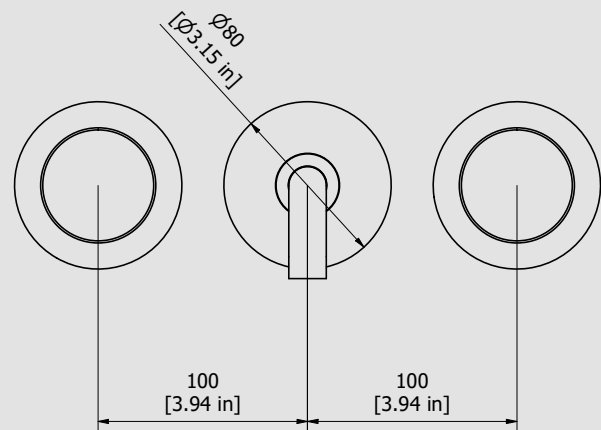
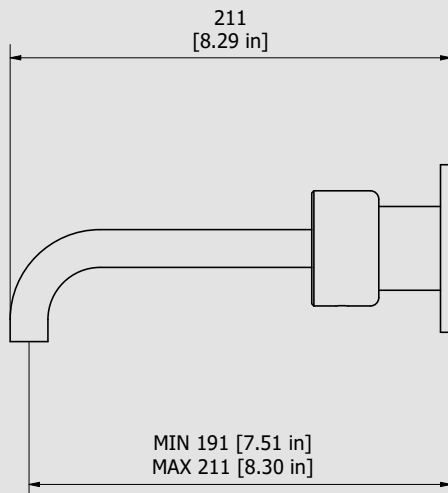
3.5 kg

Finishes

- **CC**
CHROME
- **PL**
PLATINUM
- **SS**
BRUSHED
NICKEL
- **ON**
NATURAL
BRASS
- **BO**
MATT
WHITE
- **NP**
MATT
BLACK
- **CF**
BLACK
CHROME
- **CS**
BRUSHED
BLACK
CHROME
- **II**
PALE
GOLD
- **IS**
BRUSHED
PALE GOLD
- **RS**
ROSE
GOLD
- **SR**
BRUSHED
ROSE GOLD
- **OO**
GOLD
- **OS**
BRUSHED
GOLD
- **RR**
ANTIQUÉ
COPPER
- **BB**
ANTIQUÉ
BRONZE



Dimensions



Cartridge

Ceramic headwork

Hoses

-

Aerator

M16.5x1

Flow Rate (+/-10%)

1 BAR
2.4 l/m

2 BAR
3.8 l/m

3 BAR
3.8 l/m

Production

Main body is a single casted pieces

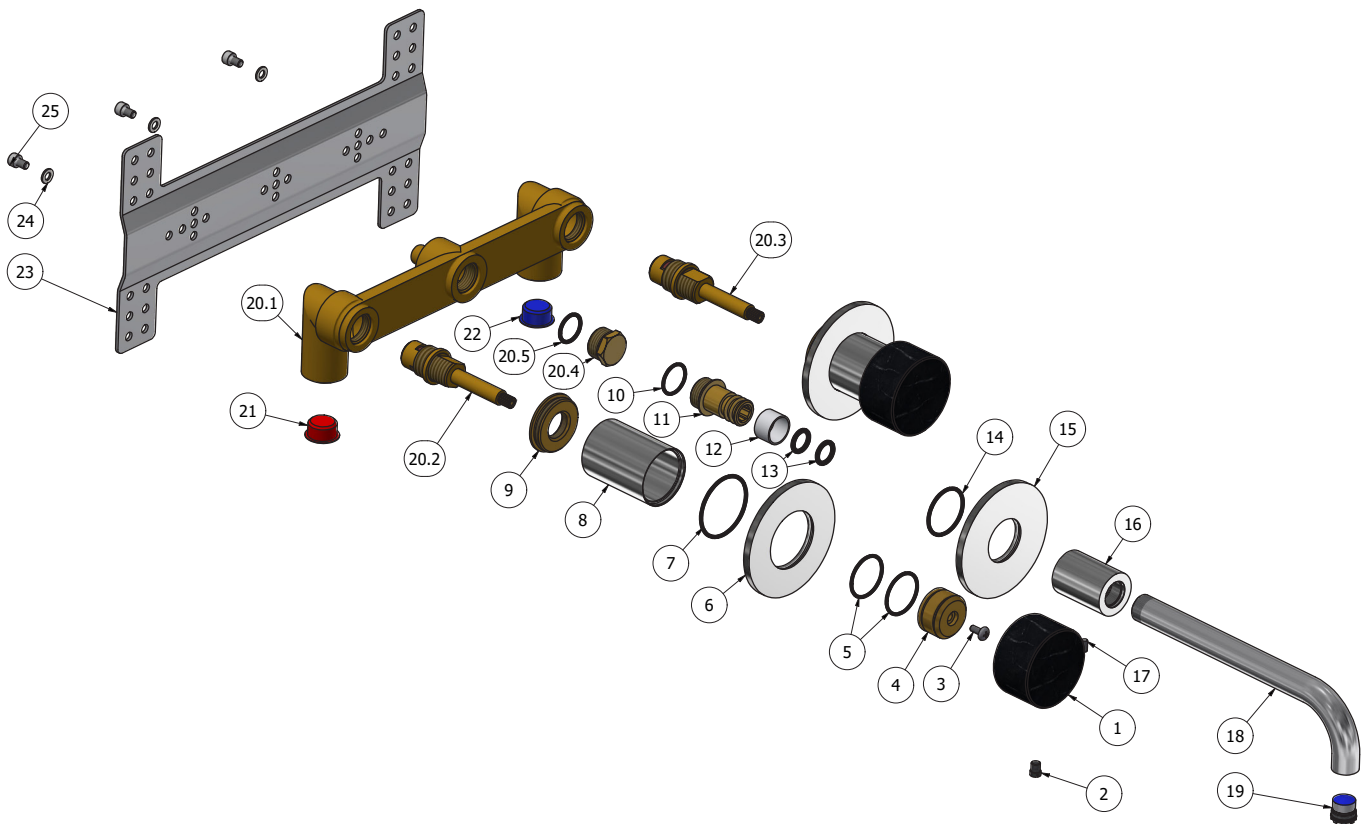
Material

BRASS
According to CuZn35Pb2Al-B (CB752S)
Max Lead content: 1.36%



WE ARE IB

Parts list			
ELEM	CODE	DESCRIPTION	QT
13	AQ0001360	OR 11.91x2.62 NBR 70 SH	2
23	AQ0009362	Inox plate 280x150	1
25	AQ0009429	Inox screw M5x8	3
21	AQ0014537	Red thread's protecting cap Ø19	1
22	AQ0014538	Blu thread's protecting cap Ø19	1
16	AC0011554	Insert for spout-out Ø30 L42	1
18	AC0011995	Spout-out M18x1 M16.5x1 Ø18 L194	1
11	AS0012306	Spout-out insert G1/2" H40	1
10	AQ0004640	OR 18.77x1.78 NBR 70 SH	1
6	AC0012822	Ring Ø80 Ø40.5 H5	2
7	AQ0012224	OR 40x2 NBR 70 SH	2
15	AC0012824	Ring Ø80 Ø30.5 H5	1
14	AQ0011648	OR 30x2 NBR 70 SH	1
17	AQ0006921	Grubscrew M4x8 flat point	1
19	AQ0014147	Perlator PCA cachè laminar 1 GPM (44.3358.010)	1
12	AQ0010143	Antifriction ring Ø20 H12.5	1
4	AS0012526	Handle Ø29.9 H19	2
1	AQ0014947	Marble cover Ø55 H32	2
3	AQ0002160	Screw M4x10	2
5	AQ0010564	OR 26.7x1.78 NBR 70 SH	4
2	AQ0015558	Screw Ø7.1 M6 H9 dark gray	2
24	AS0013067	Washer M5 UNI 6592	3
20	CPBL206-1	Preassembled recessed mixer body	1
20.1	CT0001905	Recessed body 3 hole Int. 200 G1/2"	1
20.2	AQ0010852	Headwork 90° SX H55	1
20.3	AQ0010851	Headwork 90° DX H55	1
20.4	AQ0006680	Plug G1/2" M	1
20.5	AQ0009841	OR 17x2 NBR 70 SH	1
9	AS0013087	Reduction M37x1.5 W19x19 H7.5	2
8	AC0013086	Ring Ø40 M37x1.5 H54.3	2





WARRANTY

All IB Rubinetterie SpA products are warranted for 10 years from the date of purchase, for the following cases:

- Defects of casting, porosity and chrome plating.
- Operating defects caused by incorrect fabrication.

The warranty provides for repair or replacement of products with fabrication defects recognized by our technical office. There is no other type of compensation anche the merchandise must be returned FOB our warehouse. The warranty only cover surface defects (scatches, dings, etc.) on fitting that have not been installed and used, returned in its original packaging with all components. O-ring, gasket seals and components subject to wear proportional to use are warranted for 2 years.

The warranty is void in the following cases:

Error installing and putting the product into service.

Deterioration of finished surfaces due to use of cleaning products containing acids or abrasive substances. Deterioration of surface with finishes other than chrome plating. Their durability is, in fact, dependent on the user's care and gentleness of use.

Deterioration of the fitting due incorrect installation.

Improper repairs and maintenance performed without the company's prior authorization.

The warranty from IB Rubinetterie SpA is not renewable.

Cleaning

We recommended cleaning the finish surfaces with water and soap, using a soft cloth.

Do not use detergents that contain hydrochloric acid or abrasive substances.

