

Collection

INDUSTRIA

Article

ID396

Description

Four holes deck mounted bath filler

Box Dimensions

400 x 200 x 140 mm

Weight

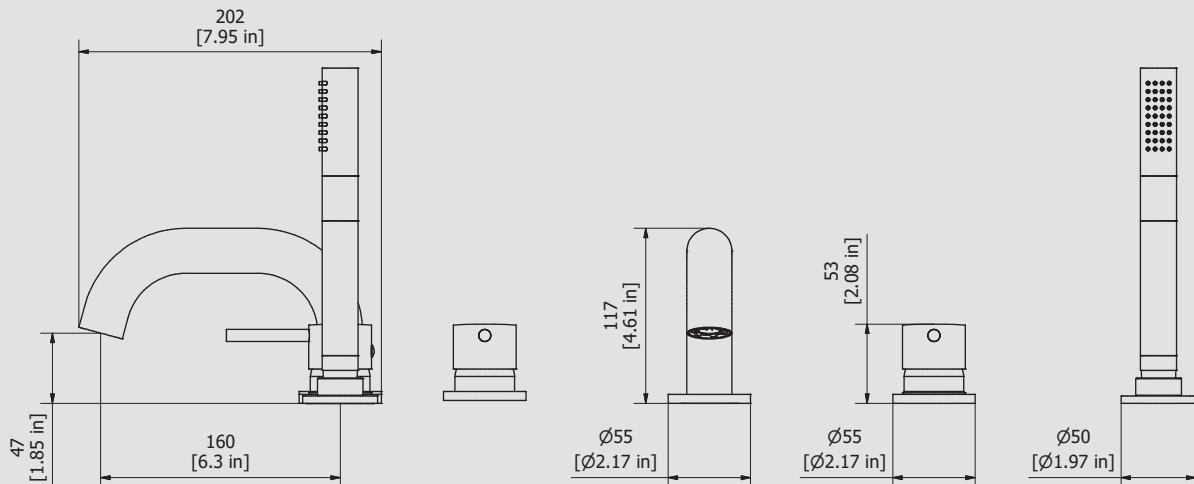
4 kg

Finishes

- **CC**
CHROME
- **CF**
BLACK CHROME
- **OO**
GOLD
- **BB**
ANTIQUE BRONZE
- **SS**
BRUSHED NICKEL
- **CS**
BRUSHED BLACK CHROME
- **BO**
MATT WHITE
- **NP**
MATT BLACK
- **IS**
BRUSHED PALE GOLD
- **OS**
BRUSHED GOLD
- **II**
PALE GOLD
- **RR**
ANTIQUE COPPER
- **RS**
ROSE GOLD
- **ON**
NATURAL BRASS
- **SR**
BRUSHED ROSE GOLD
- **PL**
PLATINUM



Dimensions



Cartridge

Ø35 ceramic cartridge

Hoses

Inox hoses G1/2" female 300 mms long

Aerator

M24x1

Flow Rate (+/-10%)

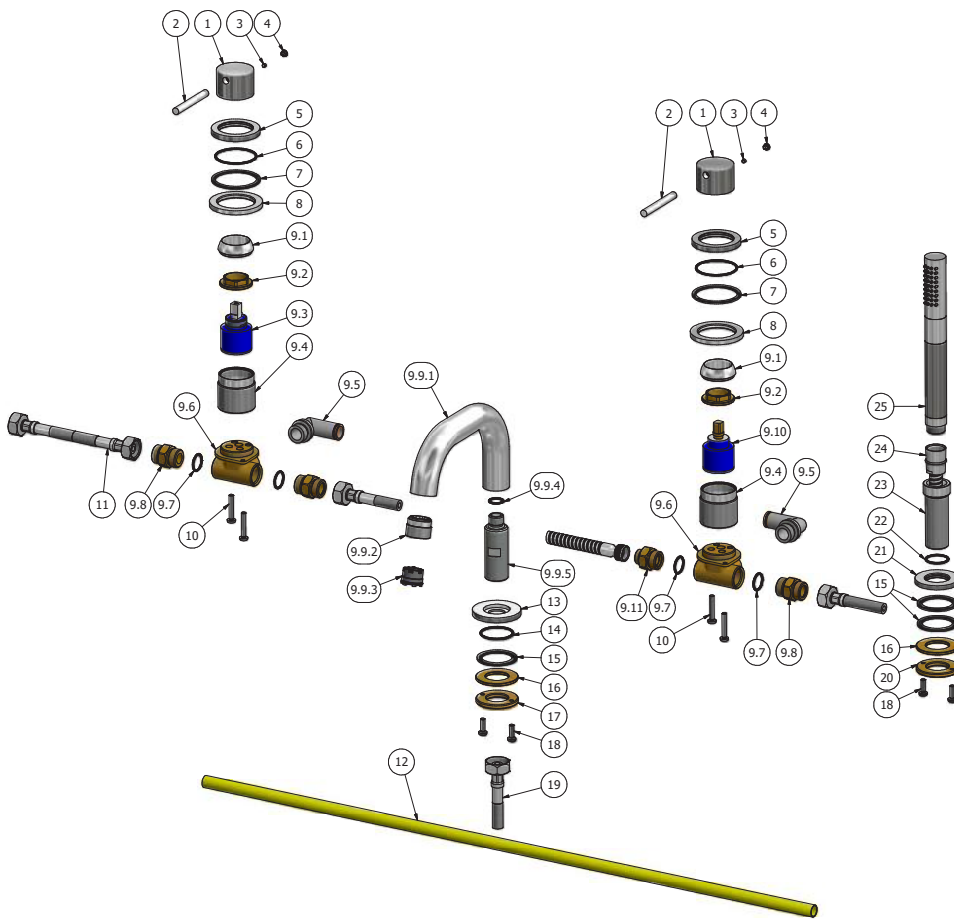
1 BAR	2 BAR	3 BAR
9.3 l/min	13.2 l/min	16.2 l/min

Production

Main body is a single hot stamped pieces

Material

BRASS
According to CuZn42 (CW510L)
Max Lead content: 0.2%



Elenco parti			
ELEM	CODICE	NUMERO DI MAGAZZINO	QT
1	AC0012840	Handle Ø42 H30 knurled	2
2	AC0007091	Straight rod Ø8 L67	2
3	AQ0009938	Grubscrew M4x3 flat point	2
4	AQ0006650	Plug cover Ø7	2
5	AC0012853	Fixing ring Ø55 M42x1.5 knurled	2
6	AQ0010584	OR 44.17x1.78 NBR 70 SH	2
7	AQ0011028	Flat gasket Ø55 Ø47 H2	2
8	AC0011661	Support ring Ø60 Ø42.2 H5	2
9	CPMT396C	Preassembled 3 hole bath side C-1	1
9.1	AQ0003630	Cartridge ring nut cover M37x1.5	2
9.2	AQ0001040	Cartridge ring nut M37x1.5 H9	2
9.3	AQ0004095	Ceramic cartridge Ø35 9x9 (K35A)	1
9.4	AC0011662	Ring M42x1.5 M37x1.5 Ø40 H40.7	2
9.5	AQ0013713	Connection piece L G1/2" Ø14 (2031019)	2
9.6	AQCT10369	Recessed shower mixer body Ø35 DZR	2
9.7	AQ0004630	OR 17.16x1.78 NBR 70 SH	4
9.8	AS0010301	Reduction G1/2" M G1/2" M with valve seat	3
9.9	CP10958CC	Preassembled bath deck spout c-1	1
9.9.1	AC0010958	Spout-out Ø30 L160	1
9.9.2	AC0010792	Seat for perlator M28x1 M24x1	1
9.9.3	AQ0010587	Perlator cahcè M24x1 antisplash (15.0100.0)	1
9.9.4	AQ0009818	OR 14x1.78 NBR 70 SH	1
9.9.5	AC0010971	Threaded fixing stem G3/4" G3/8" H76 with seat valve	1
9.10	AQ0013143	Ceramic cartridge Ø35 Wout/D KDZ HTG	1
9.11	AS0011227	Connection piece G1/2" M G3/8" M with valve seat	1
10	AQ0009153	Inox screw M5x30	4
11	AQ0006540	Inox hose G1/2" F G1/2" F L400	2
12	AQ0013714	Risina pipe PA11 DIN 74324 Ø14xØ12 L80 cm	1
13	AC0012852	Base Ø55 H6 knurled	1
14	AQ0006497	OR 34.65x1.78 NBR 70 SH	1
15	AQ0008013	Rubber packing 45x35x2	3
16	AS0010637	Washer Ø48 x Ø26.5 x3	2
17	AS0012647	Ring nut G3/4"	1
18	AQ0010358	Inox screw M5x16 ISO 7045	4
19	AQ0013712	Inox hose G1/2" G3/8" F L400 DN13	1
20	AS0010698	Ring nut W26x19	1
21	AQ0012729	Base Ø50 H5 knurled	1
22	AQ0009815	OR 23.52x1.78 NBR 70 SH	1
23	AC0009447	Connection piece 26x19 H76	1
24	AQ0009555	Hose G3/8" F G1/2" F cone	1
25	AQ0015375	Hand shower knurled	1

WARRANTY

All IB Rubinetterie SpA products are warranted for 10 years from the date of purchase, for the following cases:

- Defects of casting, porosity and chrome plating.
- Operating defects caused by incorrect fabrication.

The warranty provides for repair or replacement of products with fabrication defects recognized by our technical office. There is no other type of compensation anche the merchandise must be returned FOB our warehouse. The warranty only cover surface defects (scatches, dings, etc.) on fitting that have not been installed and used, returned in its original packaging with all components. O-ring, gasket seals and components subject to wear proportional to use are warranted for 2 years.

The warranty is void in the following cases:

Error installing and putting the product into service.

Deterioration of finisched surfaces due to use of cleaning products containing acids or abrasive substances. Deterioration of surface with finishes other than chrome plating. Their durability is, in fact, dependent on the user's care and gentleness of use.

Deterioration of the fitting due incorrect installation.

Improper repairs and maintenance performed without the company's prior authorization.

The warranty from IB Rubinetterie SpA is not renewable.

Cleaning

We recommended cleaning the finish surfaces with water and soap, using a soft cloth.

Do not use detergents that cointain hydrochloric acid or abrasive substances.

