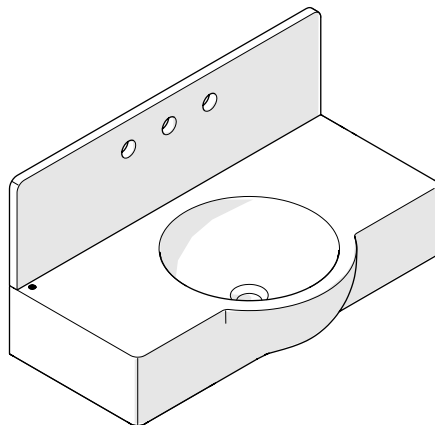


INSTALLATION GUIDELINES

LAVATORY SINK

DORIA RECTANGULAR WALL MOUNTED MARBLE LAVATORY SINK WITH BACKSPLASH



STYLE
DOLV30

WARNING:

- This product is extremely heavy. It is **STRONGLY** recommended that 2 or more persons install this product.
- If no blocking has been installed **STOP** this installation until structural blocking is available.

IMPORTANT:

- To ensure this product is installed properly, you must read and follow these guidelines.
- The owner/user of this product must keep this information for future reference.
- This product must be installed by a professional licensed contractor.
- Be sure your installation conforms to federal, state, and local codes. In the State of Massachusetts, all installations must comply with the rules and regulations set forth within 248 CMR.
- Inspect this product to ensure you have all the parts required for proper installation.
- Product is sold partially assembled but shown fully disassembled for illustrative and service purposes only.
- **CAUTION:** Use only a strap wrench or protected/smooth-jaw wrench on ANY finished surface.

- The use of certain plumber's putty may stain stone or tile surfaces.
- If further assistance is required, please contact Product Support at 1-800-927-2120 Monday through Friday, 8am - 6pm EST.

REQUIRED HARDWARE:

STYLE	DESCRIPTION
100487	Universal Pair (L/R) 13" [330mm] Stainless Steel Concealed Support Brackets, Wall Support Brackets and Hardware for Wall Mounted Stone Sink

TECHNICAL DETAILS:

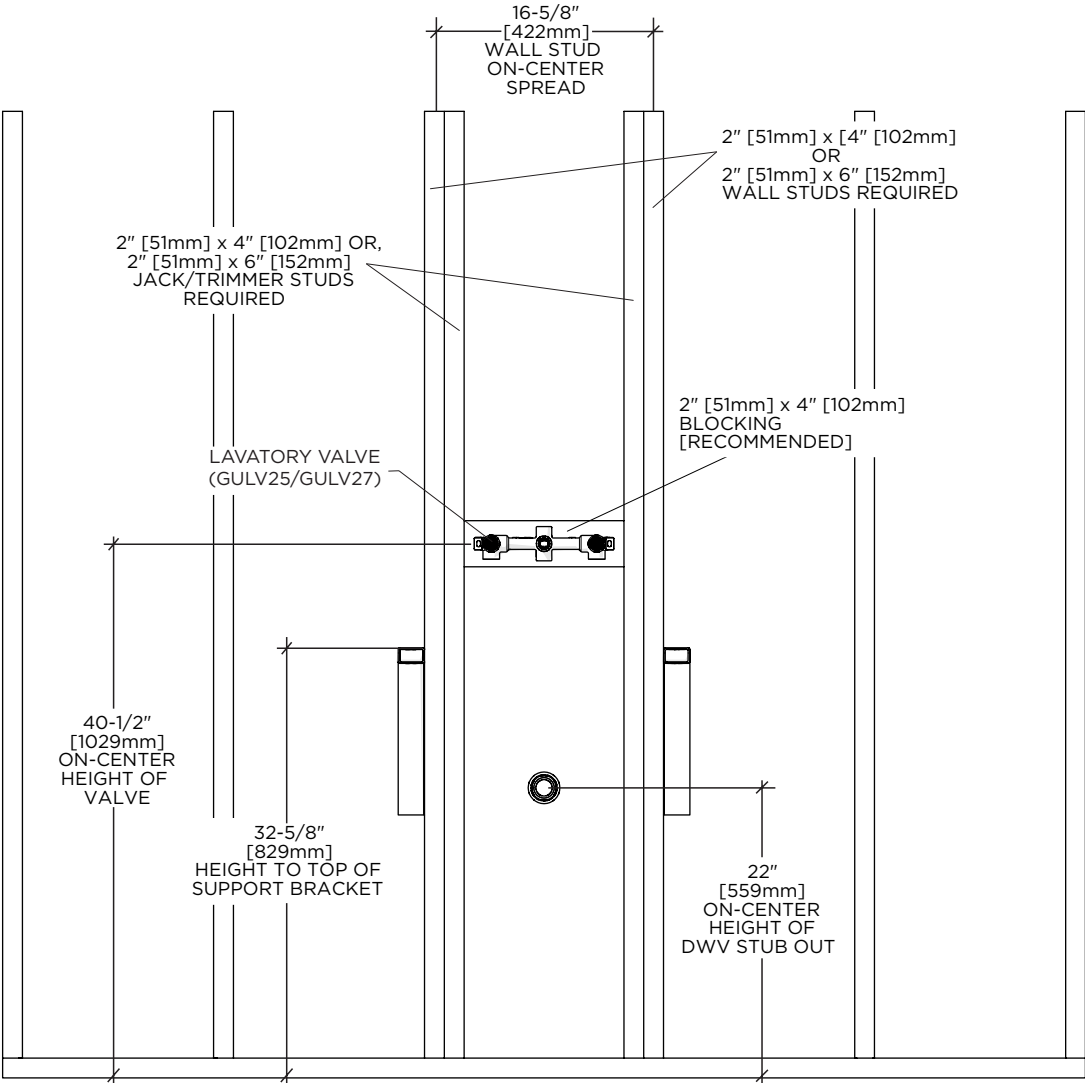
DETAIL	SPECIFICATION
DRAIN HOLE DEPTH	1-7/8" [48mm]
DRAIN HOLE DIAMETER	1-3/4" [44mm]
FITTINGS HOLE DIAMETER	1-3/8" [35mm]
OVERFLOW OPENING	NO
WEIGHT	300 lbs [136 kg]

INSTALLATION GUIDELINES

LAVATORY SINK

ROUGH IN:

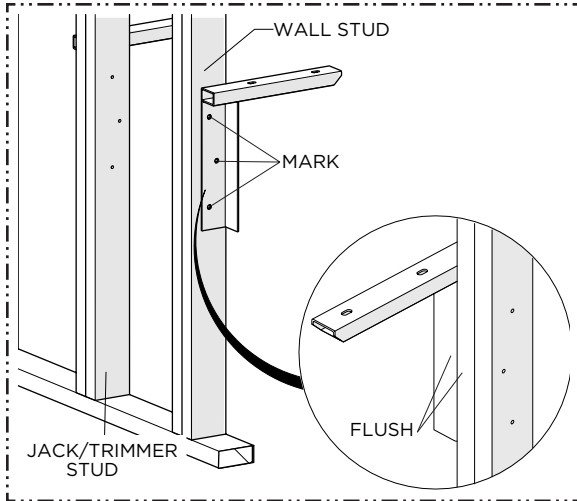
- Jack or Trimmer Studs are required to properly install the SUPPORT and ANGLE BRACKETS and to secure the SINK to the wall.
- SUPPORT BRACKETS must be installed directly onto wall studs and prior to the installation of the finished wall.
- The dimensions shown detail a 34" [864mm] SINK height installation.
- LAVATORY VALVE and associated TRIM sold separately.



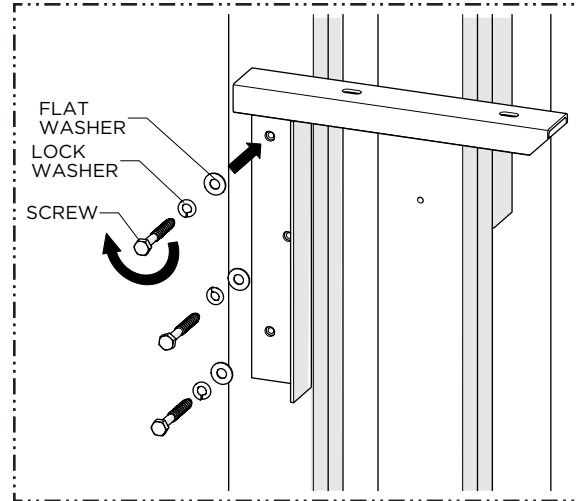
NOTE: This blocking scheme installs the sink top 34" [864mm] from the floor.

INSTALLATION GUIDELINES

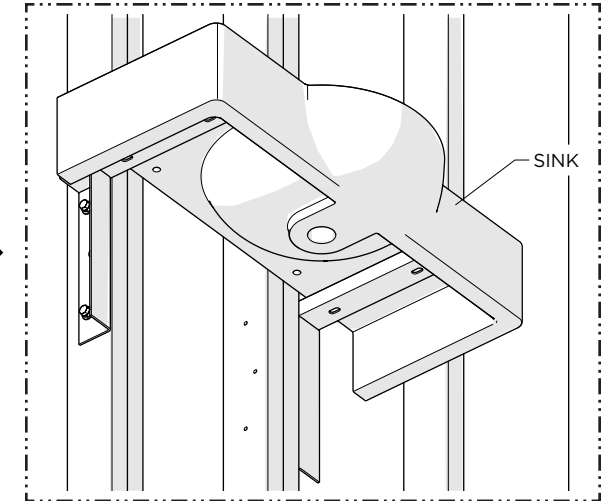
LAVATORY SINK



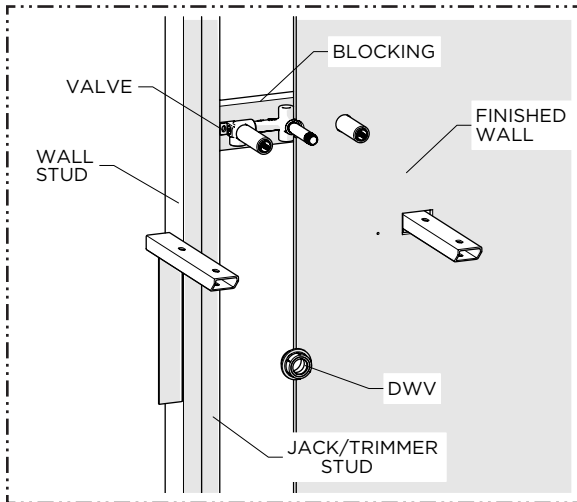
1. Dry fit the BRACKETS to the WALL STUD and mark the location of the mounting holes. Make sure to hold the BRACKETS level and flush with the front face of the STUD. Drill pilot holes for the 3/8" [10mm] LAG SCREWS provided.



2. Install the BRACKETS using the LAG SCREWS and WASHERS provided.

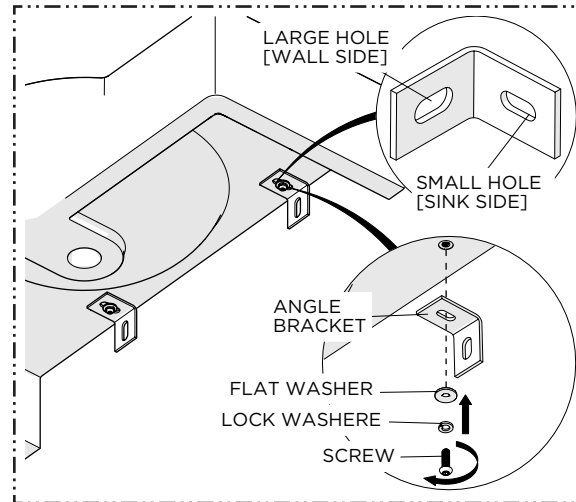


3. Dry-fit the SINK to the BRACKETS to ensure the weight of the SINK is properly supported then remove the SINK and keep it properly stored until final installation.



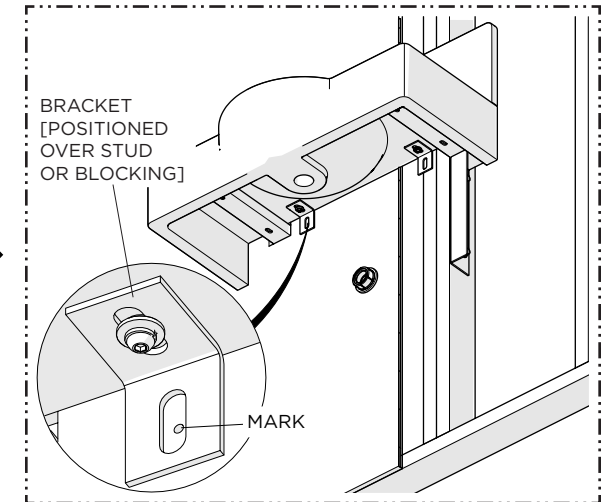
4. Ensure the VALVE and DWV STUB OUT are properly installed and all the required blocking is in place then complete the FINISHED WALL installation.

NOTE: The thickness of the FINISHED WALL should not exceed 1" [25mm].



5. Install the ANGLE BRACKET to the underside of the SINK using the SCREWS and WASHERS PROVIDED. Do NOT tighten the SCREWS.

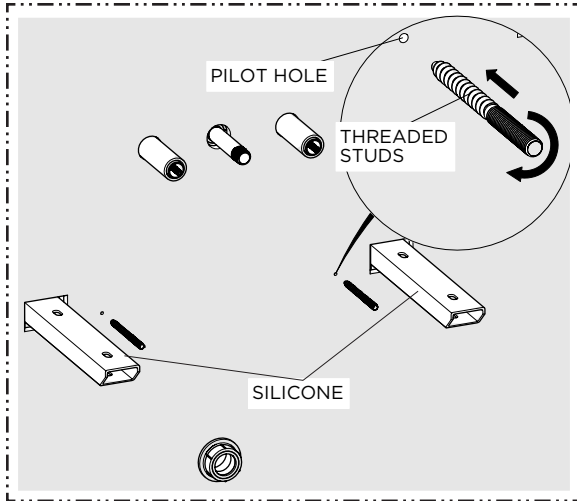
NOTE: Make sure to use the SINK side of the BRACKET.



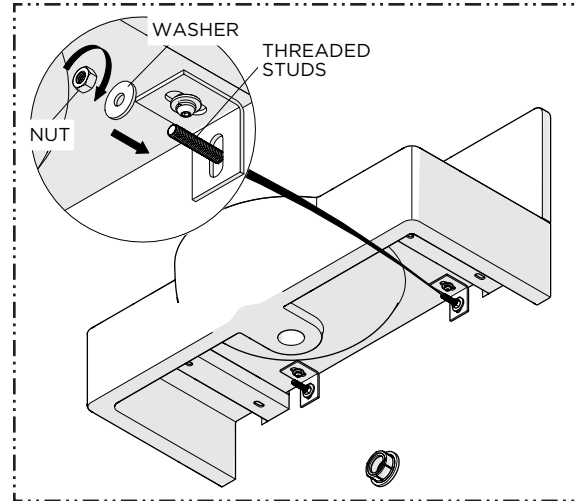
6. Dry-fit the SINK with SUPPORT BRACKETS ensuring it is level and re-adjust or shim (not included) if necessary. Mark the hole locations for the ANGLE BRACKETS. Remove the SINK and drill pilot holes for M8 THREADED STUDS provided.

INSTALLATION GUIDELINES

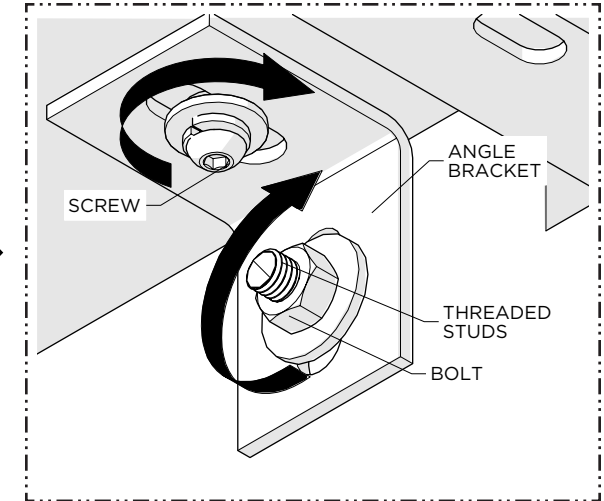
LAVATORY SINK



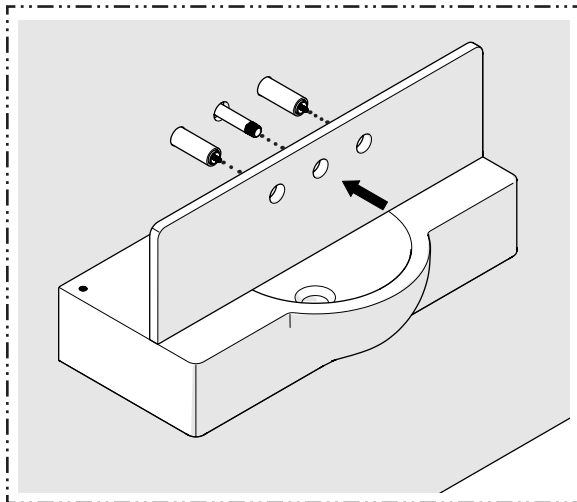
7. Install the M8 THREADED STUDS making sure the wood end is fully inserted into the finished wall then apply adhesive silicone to the top surfaces of the SUPPORT BRACKETS.



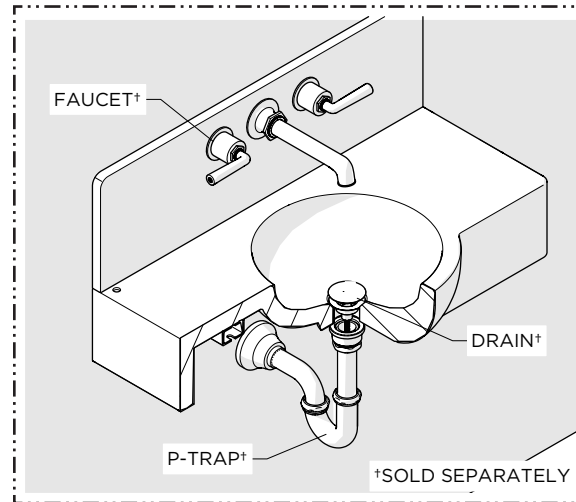
8. Place the SINK on top of the BRACKETS and push it against the wall making sure the silicone does not wipe off. Remove any excess silicone around the SINK. Install the WASHERS and NUTS provided onto the THREADED STUDS and hand-tighten.



9. If necessary, cut the excess length from the THREADED STUDS then securely and evenly tighten the NUTS and SCREWS to secure the ANGLE BRACKETS.

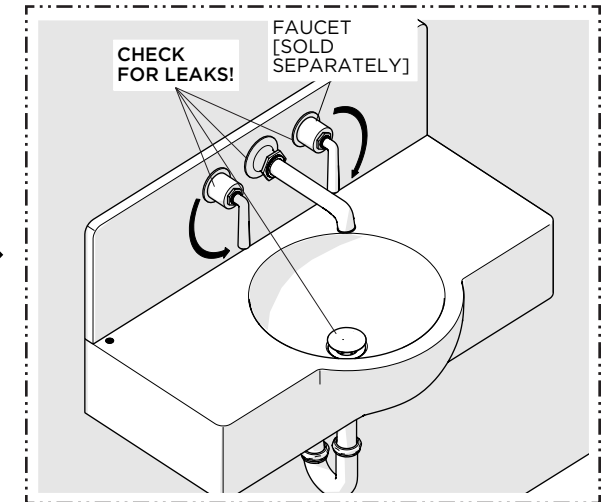


10. If desired, install the BACKSPLASH provided using an adhesive silicone.



11. Install the FAUCET, DRAIN and P-TRAP [sold separately].

NOTE: The use of certain plumber's putty may stain stone or tile surfaces.



12. Turn on the water and operate the drain and faucet [sold separately] to ensure proper operation. Check all connections for leaks. If desired, a bead of caulk or clear silicone may be applied where the SINK contacts the finished wall.