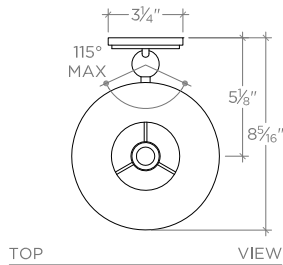
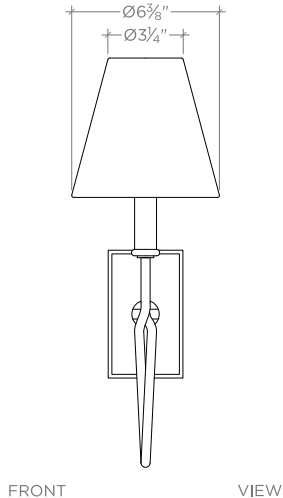


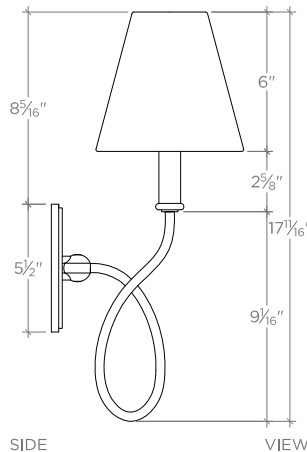
STYLE No. **811040**
 ITEM No. **18-85003-41909** (Nickel)
18-13126-33072 (Antique Brass)



TOP VIEW



FRONT VIEW



SIDE VIEW

IMPORTANT:

- **WARNING:** The power supply must be turned off prior to installation. Turn off the main electrical supply to the junction box from the fuse box/circuit breaker. Turning power off at the switch is not sufficient.
- To ensure this product is installed properly, you must read and follow these guidelines.
- The owner/user of this product must keep this information for future reference.
- This product is U.L. certified and is suitable for damp or dry locations. The U.L. listing mark can be found on the inside of the cover plate.
- Be sure your installation conforms to all federal, state, and local codes.
- This product must be installed by a professional licensed electrical contractor.
- Refer to the specification and assembly drawings attached. Product is sold partially assembled but shown fully disassembled for illustrative and service purposes only.

- Max wattage for this product is 60 watts for incandescent Candelabra base light bulbs. Product is not compatible with fluorescent bulbs.
- Inspect this product to ensure you have all parts required for proper installation.
- Use only a strap wrench or protected/smooth-jaw wrench on any finished surface.

INSTALLATION:

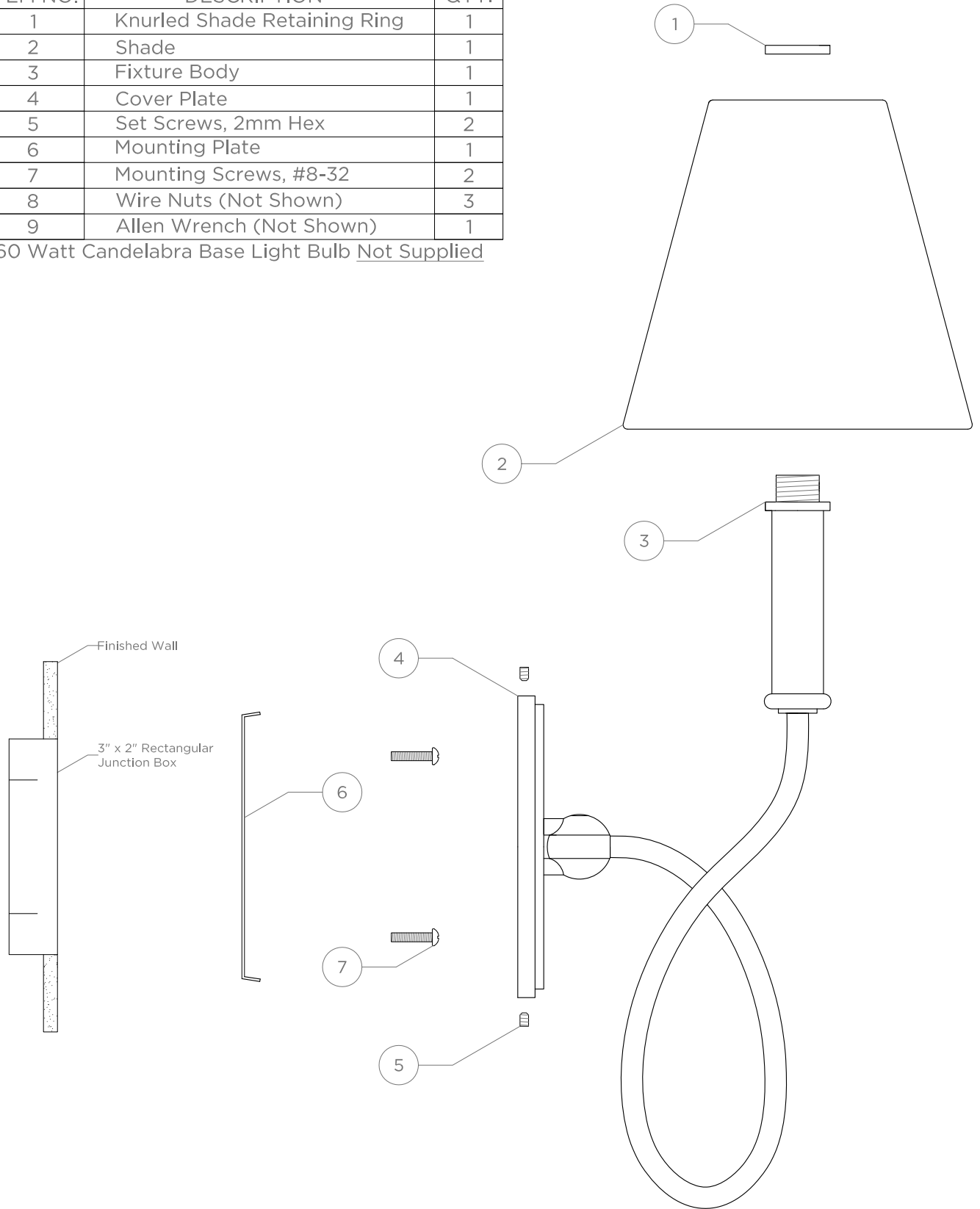
- **REQUIRED:** Install a 3" x 2" rectangular switch electrical junction box at the desired height.
1. Remove the mounting plate (6) by unthreading the set screws (5) on the top and bottom of the cover plate (4) and ensure that the holes on the mounting plate align with the screw holes in the junction box.
 2. Pull the wires in the junction box through the center hole of the mounting plate (6). Attach the mounting plate to the box using 2 #8-32 screws (7) making sure to keep the proper alignment of the plate.
 3. Fasten the bare copper fixture wire to the green or bare copper wire in the box with a wire nut.
 4. Fasten the white fixture wire to the white wire in the box with a wire nut. Tightly wrap the connection with electrical tape beginning 1" below the wire nut to ensure the tape seals the end of the nut. Make sure that there are no exposed wires that could cause a short circuit.
 5. Repeat step 4 with the black fixture wire and the black wire from the junction box.
 6. Place the cover plate (4) over the mounting plate (6) and tighten the set screws (5) on the cover plate.
- Note: The slotted screw on the top of the swivel can be slightly loosened if the arm is difficult to swing.
8. Place the shade (2) over the fixture body (3) and tighten it down using the knurled ring (1).
 9. Install a 60 watt Candelabra base light bulb (not supplied).
 10. Turn on the power to the junction box at the fuse box/circuit breaker.
- If further assistance is required, please contact Product Support at 1-800-927-2120 Ext. 3 (9am-6pm EST).

These guidelines have been prepared for the professional contractor to aid in the installation of:
BLUE NOTE SINGLE LOOP SWING ARM SCONCE (STYLE NO. 811040).
 All dimensions are based on origin specification and are subject to change and variation.
 Please consult your Design Associate for current specifications.

WATERWORKS

ITEM NO.	DESCRIPTION	QTY.
1	Knurled Shade Retaining Ring	1
2	Shade	1
3	Fixture Body	1
4	Cover Plate	1
5	Set Screws, 2mm Hex	2
6	Mounting Plate	1
7	Mounting Screws, #8-32	2
8	Wire Nuts (Not Shown)	3
9	Allen Wrench (Not Shown)	1

* 60 Watt Candelabra Base Light Bulb Not Supplied



These guidelines have been prepared for the professional contractor to aid in the installation of:
BLUE NOTE SINGLE LOOP SWING ARM SCONCE (STYLE NO. 811040).
 All dimensions are based on origin specification and are subject to change and variation.
 Please consult your Design Associate for current specifications.

WATERWORKS