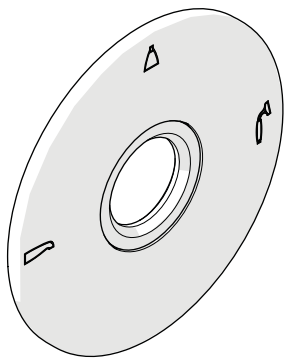
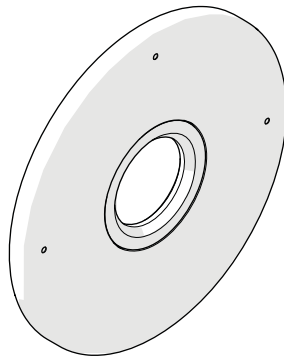


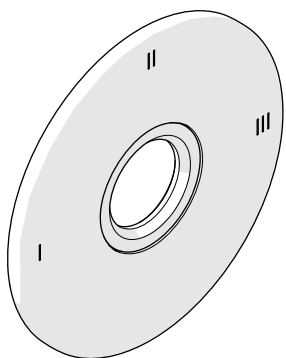
**STYLE No. UN3PG1**  
With Graphics



**STYLE No. UN3PM1**  
With Modern Dots



**STYLE No. UN3PR1**  
With Roman Numerals



**SPECIFICATIONS:**

Fittings Hole Diameter: Ø2-1/2" [64mm]\*

\* Ø2-1/2" hole is required for servicing the valve.

**REQUIRED PLUMBING DETAILS:**

Universal Three Way Diverter Valve without Shutoff for Pressure Balance Shower Systems  
**STYLE No. GUDV65, GU65DV**

**IMPORTANT:**

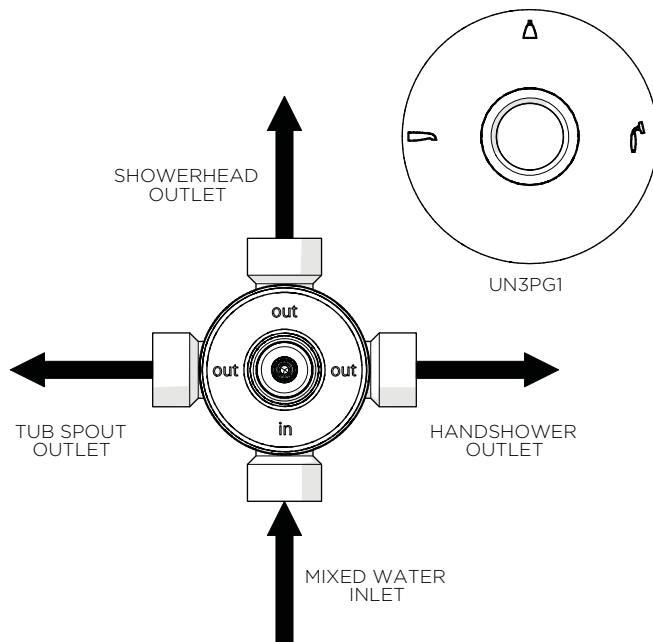
- To ensure this product is installed properly, you must read and follow these guidelines.
- The owner/user of this product must keep this information for future reference.
- This product can only be used with the Universal Three Way Diverter Valve without Shutoff for Pressure Balance Shower Systems (GUDV65, GU65DV) and a compatible wall valve trim. ALL PRODUCTS SOLD SEPARATELY.
- This product, the diverter valve, and wall valve trim must be on-site prior to rough-in. This allows the installer to visualize the installation.

- This product must be installed by a professional licensed contractor. Ensure the installation conforms to all federal, state, and local codes. In the State of Massachusetts, all installations must comply with the rules and regulations set forth within 248 CMR.
- Inspect this product to ensure you have all the parts required for proper installation.
- Use only a strap wrench or protected/smooth-jaw wrench on any finished surface.
- DO NOT use putty on fittings.

**ROUGH-IN:**

- Refer to the Installation Guidelines of the diverter valve for rough-in dimensions and related information.
1. Rough-in the diverter valve to an appropriate depth based on the wall valve trim being used and plumb to the desired devices.

**IMPORTANT:** When the diverter valve is paired with the Universal Three Way Diverter Valve Trim with Graphics (UN3PG1), it is crucial that the outlet ports are plumbed to specific devices: handshower, showerhead, and tub spout, as shown below.



**INSTALLATION:**

- Valve rough-in and finished wall must be completed prior to diverter valve trim installation.
2. Follow the Installation Guidelines for the wall valve trim being used to determine where cuts to the threaded tube and cartridge stem must be made. Make sure to remove the threaded tube prior to cutting.

These guidelines have been prepared for the professional contractor to aid in the installation of: **UNIVERSAL THREE WAY DIVERTER VALVE TRIM FOR PRESSURE BALANCE SHOWER SYSTEMS (STYLE No. GUDV65, GU65DV)**. All dimensions are based on original specification and are subject to change and variation. Please consult your Design Associate for current specifications.

3. After the threaded tube and cartridge stem have been cut, slide the diverter valve trim plate over the threaded tube. Make sure the foam gasket is behind the plate.
4. Hold the plate against the finished wall and install the wall valve trim. Make sure the wall valve trim is secured and aligned properly.

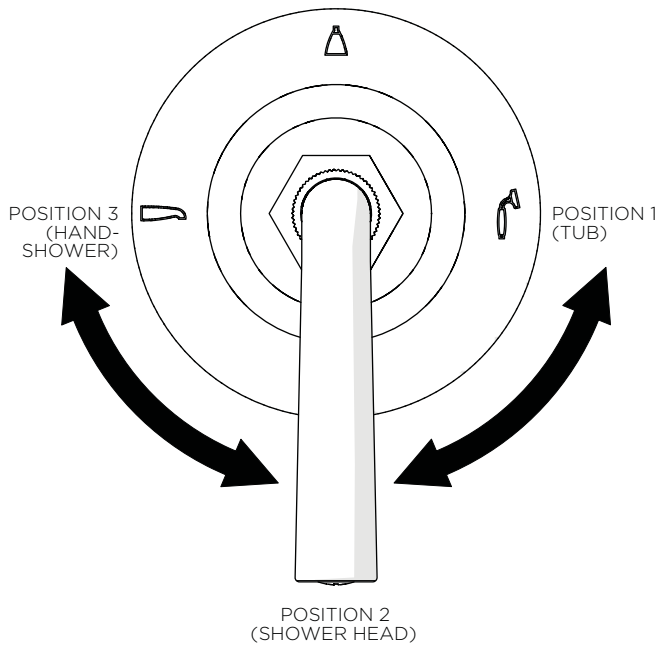
**NOTE:** Discard the plastic insert, included with the diverter plate, if parts from the valve trim do not pass through it.

**FUNCTION:**

- **IMPORTANT:** When the diverter valve is paired with the Universal Three Way Diverter Valve Trim with Graphics (UN3PG1), water will flow to specific devices at specific positions.

The valve does NOT have an off position. Water will flow out of the showerhead when the handle is in Position 2 (6 o'clock), as shown below. The handle can be turned a quarter turn in either direction to divert water to the handshower and tub spout.

- Position 1 (3 o'clock): Tub Spout
- Position 2 (6 o'clock): Shower Head
- Position 3 (9 o'clock): Handshower



- If further assistance is required, please contact Product Support at 1-800-927-2120 (8am-6pm EST).

These guidelines have been prepared for the professional contractor to aid in the installation of: UNIVERSAL THREE WAY DIVERTER VALVE TRIM FOR PRESSURE BALANCE SHOWER SYSTEMS (STYLE No. GUDV65, GU65DV). All dimensions are based on original specification and are subject to change and variation. Please consult your Design Associate for current specifications.

# WATERWORKS