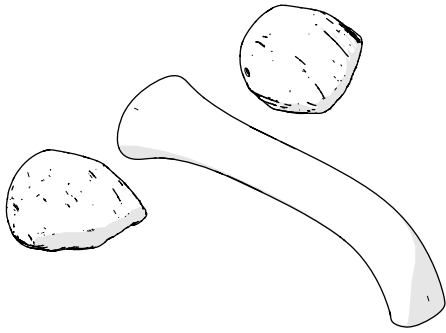
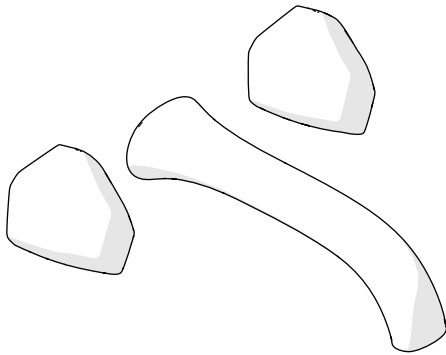


**STYLE No. ISLS61+**  
with Metal Petra Handles



**STYLE No. ISLS65+**  
with Metal Geode Handles



### SPECIFICATIONS:

Control Valve Rough-in Depth Minimum: 3" [76mm]  
Control Valve Rough-in Depth Maximum: 5-5/8" [143mm]  
Drain Depth Minimum: 3/8" [10mm]  
Drain Depth Maximum: 2-5/8" [67mm]  
Drain Hole Diameter: Ø1-3/4" [44mm]  
Drain Style: Push Touch (Drain Included)  
Fittings Hole Diameter: Ø1-3/8" [35mm]  
Handle Spread: 8" [203mm] (NOT ADJUSTABLE)  
Inlet Connection: 1/2" Female NPT†  
Restricted Maximum Flow Rate: 2.2gpm [8.3L/min]  
Water Pressure Minimum: 20psi [1.5 bar]  
Water Pressure Maximum: 85psi [6.0 bar]  
Water Pressure Recommended: 45psi [3.0 bar]

† UK Style No. **IS61LS** and **IS65LS** are supplied with a **BSP** adapter, assembly required.

### REQUIRED PLUMBING DETAILS:

Universal Lavatory Wall Mounted Rough Valve  
**STYLE No. GULV25**

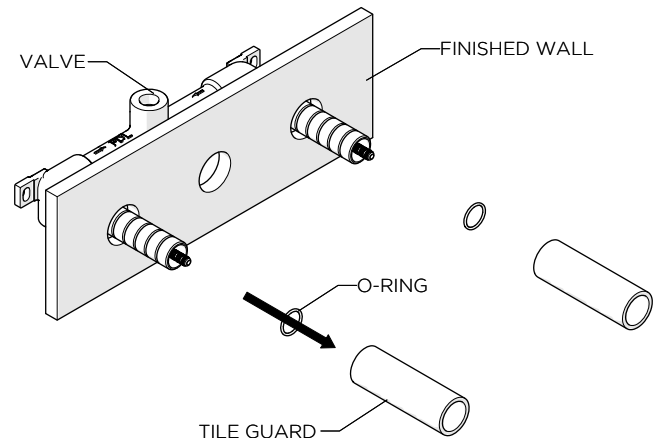
### IMPORTANT:

- To ensure this product is installed properly, you must read and follow these guidelines.

- The owner/user of this product must keep this information for future reference.
- This product must be installed by a professional licensed contractor.
- Be sure your installation conforms to all federal, state, and local codes. In the State of Massachusetts, all installations must comply with the rules and regulations set forth within 248 CMR.
- This product must be on-site prior to rough-in. This allows the installer to visualize the installation and verify the 8" center spread.
- Refer to the specification and assembly drawings attached. Product is sold partially assembled but shown fully disassembled for illustrative and service purposes only.
- Inspect the product to ensure you have all the parts required for proper installation. Use only a strap wrench or protected/smooth-jaw wrench on any finished surface.
- The use of certain plumber's putty may stain stone or tile surfaces.

### TRIM INSTALLATION:

1. Remove the **TILE GUARDS** and the **O-RINGS** from the **VALVE** as shown in Figure - 01.



**FIGURE - 01**

- See Figure - 02 for Steps 2 - 4.
2. Mark the **THREADED TUBE** as shown then remove and cut the **TUBE**.
  3. Mark the **CARTRIDGE STEM** as shown then remove the **CARTRIDGE** and cut the **STEM**.
  4. Thread and securely tighten the **CARTRIDGE** into the **VALVE** and then thread the **TUBE** back onto the **CARTRIDGE**.

These guidelines have been prepared for the professional contractor to aid in the installation of:  
**ISLA WALL MOUNTED LAVATORY FAUCET WITH METAL PETRA HANDLES (STYLE No. ISLS61, IS61LS) &**  
**ISLA WALL MOUNTED LAVATORY FAUCET WITH METAL GEODE HANDLES (STYLE No. ISLS65, IS65LS)**  
All dimensions are based on original specification and are subject to change and variation.  
Please consult your Design Associate for current specifications.

**W A T E R W O R K S**

| DIMENSION | VALUE (INCHES) |
|-----------|----------------|
| A         | 5/16"          |
| B         | 1/4"           |

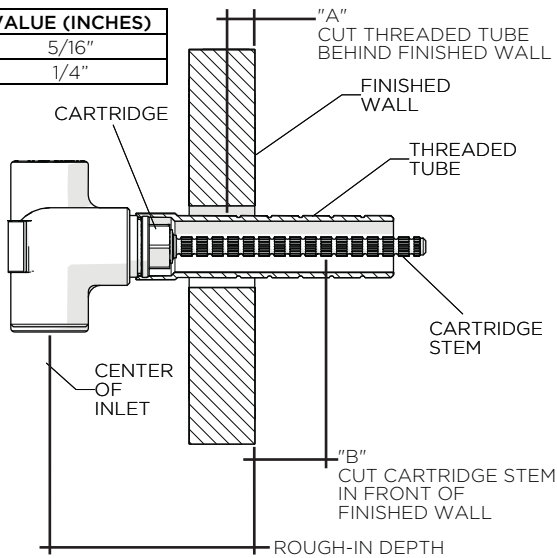


FIGURE - 02

5. Thread a 1/2" NPT x 1/2" NPT NIPPLE (not included) into the spout outlet of the VALVE. See Figure - 03.

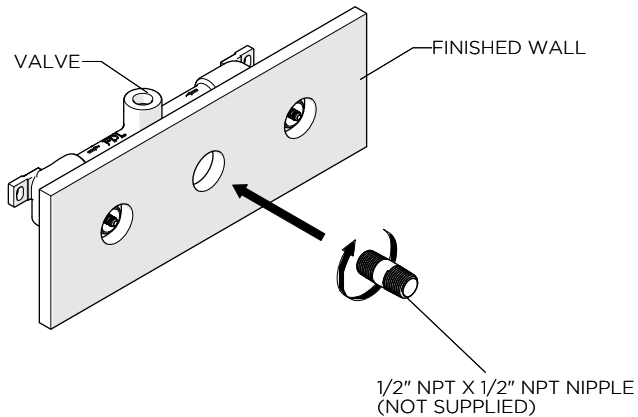


FIGURE - 03

6. Ensure the front face of the NIPPLE is a 1/2" from the finished wall as shown in Figure - 04.

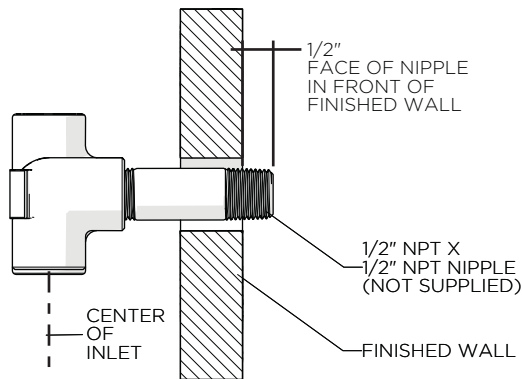


FIGURE - 04

7. Thread and securely tighten the SPOUT onto the NIPPLE. Make sure the RUBBER WASHER is behind the SPOUT. See Figure - 05.

➤ NOTE: A RUBBER WASHER for the SPOUT is provided. If desired, a bead of caulk or a clear silicone may be applied where the SPOUT contacts the finished wall. The use of certain plumber's putty may stain stone or tile surfaces.

➤ NOTE: A 2.2gpm AERATOR is located inside the SPOUT.

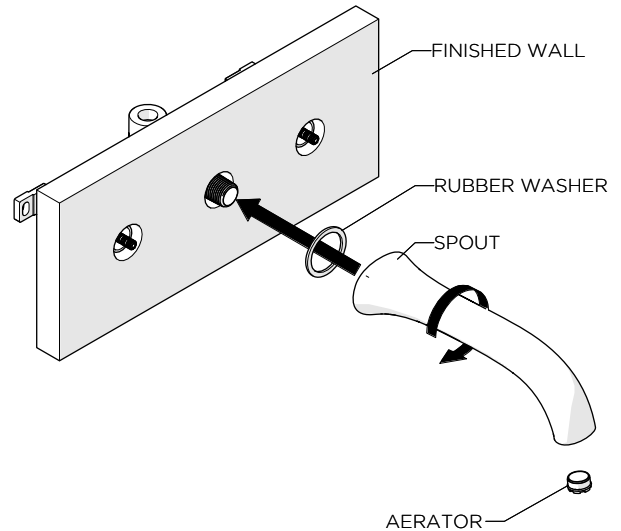


FIGURE - 05

8. Thread the ADAPTER onto the THREADED TUBE making sure to include the RUBBER GASKET then securely tighten using a 24mm wrench. The ADAPTER will need to properly align with the CARTRIDGE STEM in order for the ADAPTER to thread onto the TUBE. See Figure - 06.

➤ NOTE: A GASKET for the ADAPTER is provided. If desired, a bead of caulk or a clear silicone may be applied where the ADAPTER contacts the finished wall. The use of certain plumber's putty may stain stone or tile surfaces.

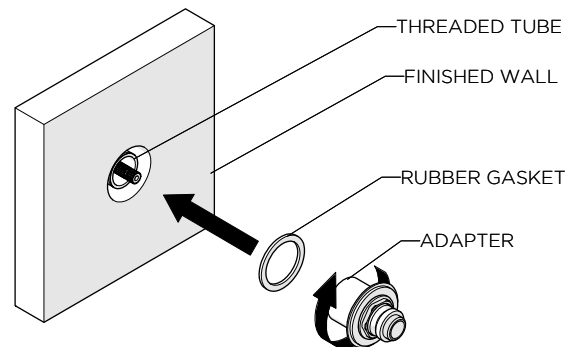


FIGURE - 06

These guidelines have been prepared for the professional contractor to aid in the installation of:  
ISLA WALL MOUNTED LAVATORY FAUCET WITH METAL PETRA HANDLES (STYLE No. ISLS61, IS61LS) &  
ISLA WALL MOUNTED LAVATORY FAUCET WITH METAL GEODE HANDLES (STYLE No. ISLS65, IS65LS)  
All dimensions are based on original specification and are subject to change and variation.  
Please consult your Design Associate for current specifications.

WATERWORKS

- See Figure - 07 for Steps 9 - 11.

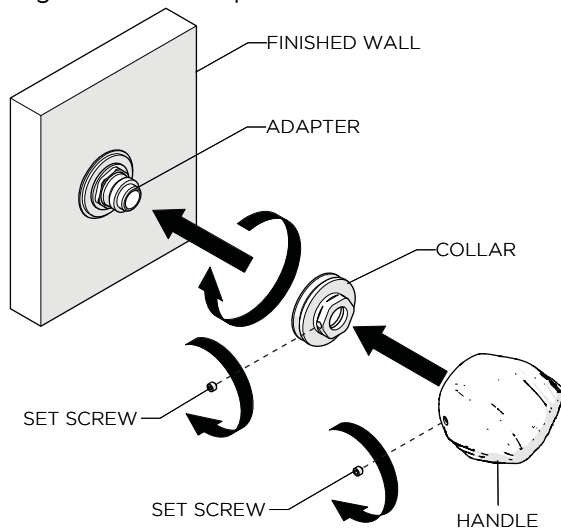


FIGURE - 07

9. Thread the COLLAR onto the ADAPTER and securely tighten the SET SCREW using a 2.5mm HEX KEY.
10. Place the HANDLE over the COLLAR in the desired orientation and securely tighten the SET SCREW using a 2.5mm HEX KEY.
11. Repeat Step 8 - 10 to install the second HANDLE.

**DRAIN INSTALLATION:**

- See Figure - 08 for Steps 12 - 16.
  - The use of certain plumber's putty may stain stone or tile surfaces.
12. Remove the TAILPIECE from the LOWER DRAIN BODY.
  13. Unthread and remove the DRAIN STOPPER and LOWER DRAIN BODY from the DRAIN FLANGE.
- The FOAM WASHER can be discarded.
14. Set the DRAIN FLANGE in the lavatory drain opening using putty or a clear adhesive silicone.
  15. Re-install the LOWER DRAIN BODY making sure to use the RUBBER GASKET provided. Ensure the GASKET makes a full seal on the underside of the lavatory then securely tighten the SCREW using a 5/32" or 4mm HEX KEY.
- Putty or a clear adhesive may be used to ensure a water-tight seal between the RUBBER GASKET and lavatory.
16. Re-install the TAILPIECE using the WASHER and NUT provided and re-install the STOPPER.
  17. Connect the tailpiece to the p-trap (sold separately).

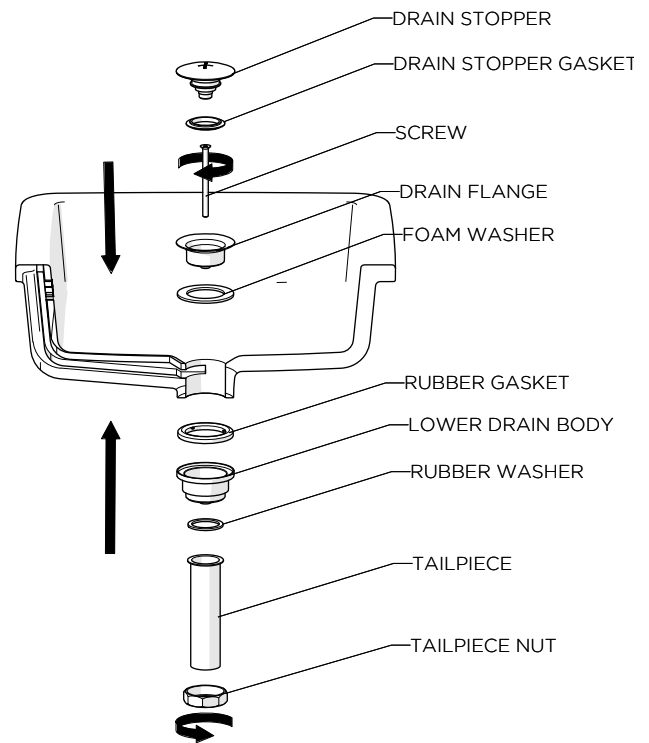


FIGURE - 08

**INSPECT AND FINISH THE INSTALLATION:**

18. Remove the AERATOR then turn on the water supply to flush out any debris in the supply lines. Operate the HANDLES to ensure they are functioning properly.
  19. Inspect all connections for leaks.
  20. Close the DRAIN and fill the lavatory with water to make sure the DRAIN STOPPER and GASKETS operate and seal properly.
  21. Turn off the water and re-install the AERATOR.
- If further assistance is required, please contact Product Support at 1-800-927-2120 Monday through Friday, 8am - 6pm EST.
  - Refer to the separate Service Parts Documents for available replacement parts.
  - The BSP adapters can be ordered separately:
    - Universal 1/2" NPT Male x 1/2" BSP 50mm Long Male Nipple Adapter  
**STYLE No. UNUK04**

These guidelines have been prepared for the professional contractor to aid in the installation of:  
ISLA WALL MOUNTED LAVATORY FAUCET WITH METAL PETRA HANDLES (STYLE No. ISLS61, IS61LS) &  
ISLA WALL MOUNTED LAVATORY FAUCET WITH METAL GEODE HANDLES (STYLE No. ISLS65, IS65LS)  
All dimensions are based on original specification and are subject to change and variation.  
Please consult your Design Associate for current specifications.