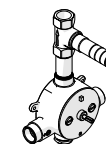


INSTALLATION GUIDELINES



STYLE No. GUTH48, GU48TH

Universal Thermostatic Valve with Integrated Volume Control Valve

IMPORTANT:

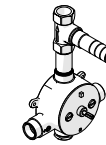
- To ensure this product is installed properly, you must read and follow these guidelines.
- The owner/user of this product must keep this information for future reference.
- This product must be installed by a professional licensed contractor and must be onsite prior to rough-in, this allows the installer to visualize the installation.
- Be sure your installation conforms to federal, state, and local codes. In the State of Massachusetts, all installations must comply with the rules and regulations set forth within 248 CMR.
- Supply fittings are designed in accordance with the pressure and temperature ratings specified in ASME A112.18.1/B125.
- This product **MUST BE** installed vertically as shown and **CANNOT** be installed horizontally. This product is intended to work with the Dash Thermostatic with Shutoff Trim.
- **WARNING:** This product features anti-scald protection. The risk of scalding exists until the installer has properly calibrated/adjusted the temperature setting during final trim installation.
- Inspect this product to ensure you have all the parts required for proper installation. Product is sold partially assembled but shown fully disassembled for illustrative and service purposes only.
- If this product will remain unused for an extended period of time (over 3 months), then the water to the VALVE should be shut off (via service stops or system control valve) and the VOLUME CONTROL VALVE should be opened to allow the water in the THERMOSTATIC VALVE to evaporate. This is to keep the CARTRIDGE from being exposed to stagnant or hard water, which can cause the VALVE to malfunction.
- If further assistance is required, please contact Product Support at 1-800-927-2120 Monday through Friday, 8am - 6pm EST.
- Refer to the separate Service Parts Documents for available replacement parts.

TECHNICAL DETAILS:

Inlet/Outlet Connection	3/4" Female NPT†
Unrestricted Maximum Flow Rate	15gpm @ 45 psi [56 L/min @ 3 bar]
Thermostatic Valve Material	Bi-Metallic Strip
Water Pressure	85psi [6.0 bar] Maximum
	20psi [1.5 bar] Minimum
	45psi [3.0 bar] Recommended

† UK Style No. **GU48TH** supplied with 3 **BSP** ADAPTERS, assembly required.

INSTALLATION GUIDELINES



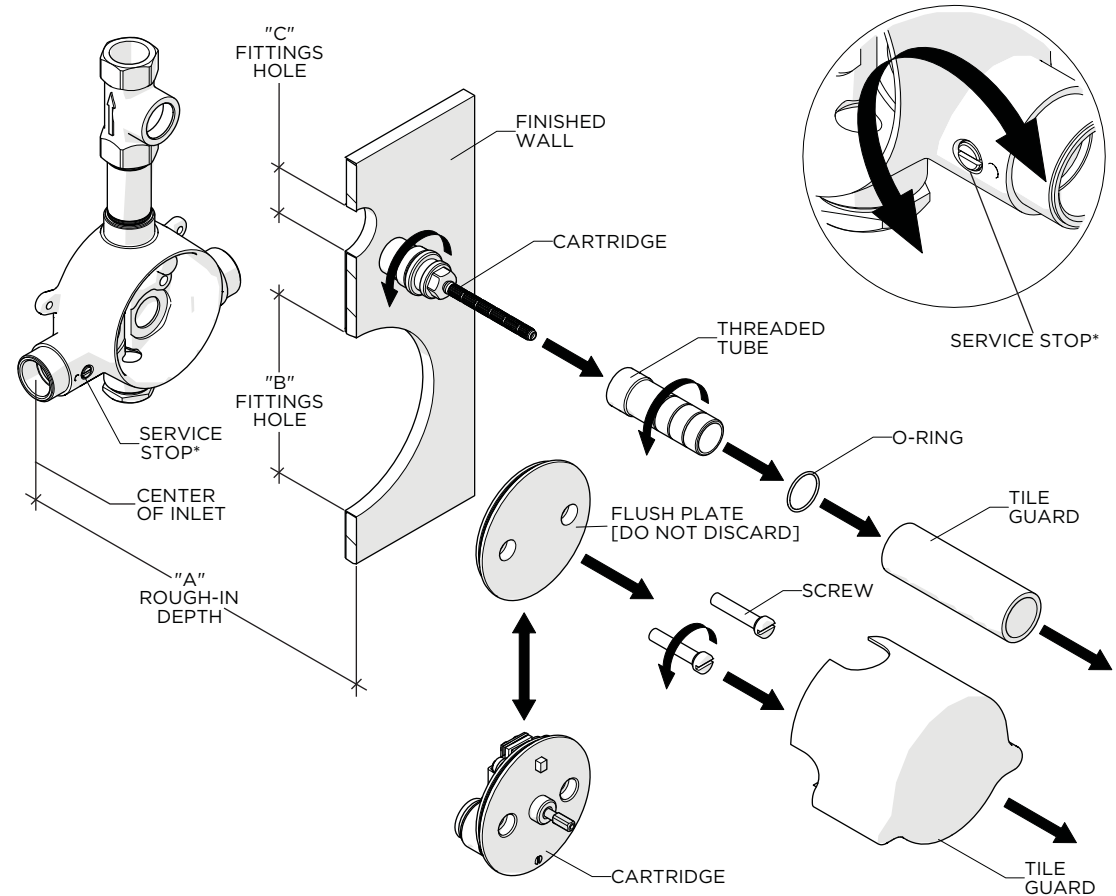
STYLE No. GUTH48, GU48TH

Universal Thermostatic Valve with Integrated Volume Control Valve

ROUGH-IN AND VALVE PREPARATION:

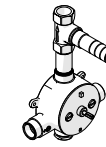
- **IMPORTANT:** The rough-in depth is measured from the centerline of the inlets to the surface of the finished wall and varies depending on the TRIM being used.
- **CAUTION:** If soldering any connections, ensure the CARTRIDGES are removed to prevent damage to seals and internal components.
- **CAUTION:** This product includes integrated SERVICE STOPS*. Make sure the TILE GUARDS are in place prior to finished wall installation to allow for future servicing.
- **CAUTION:** Make sure the supply lines are flushed prior to final trim installation using the FLUSH PLATE provided.
- **CAUTION:** Failure to flush out the supply lines before installing the CARTRIDGE will permanently damage the CARTRIDGE and VOID the warranty. Repeat the flushing process as needed.

DIM	SPECIFICATION	PAIRED TRIM	VALUE
A	ROUGH-IN DEPTH	DASH	2-5/8" MIN [67mm] - 4-3/8" MAX [111mm]
		ALL OTHERS	2-1/2" MIN [64mm]
B	FITTINGS HOLE	ALL	Ø5-1/4" [133mm]
C	FITTINGS HOLE	ALL	Ø1-3/8" [35mm]



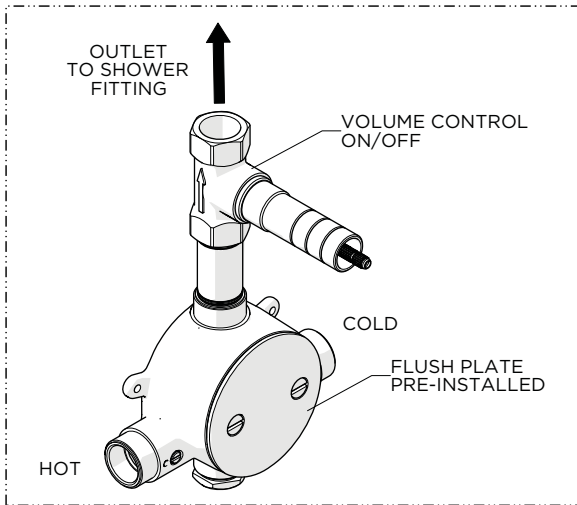
WATERWORKS

INSTALLATION GUIDELINES

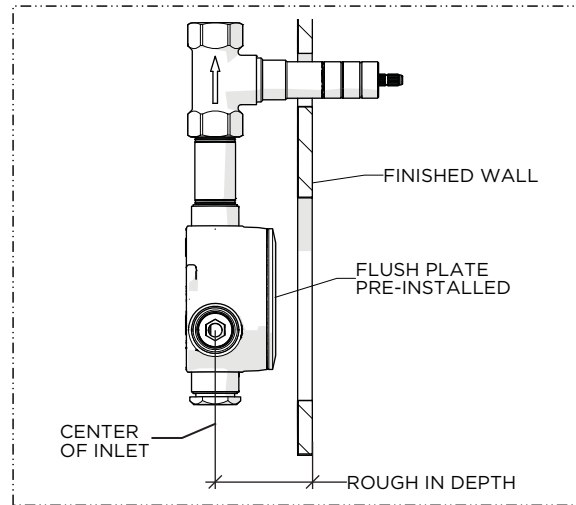


STYLE No. GUTH48, GU48TH

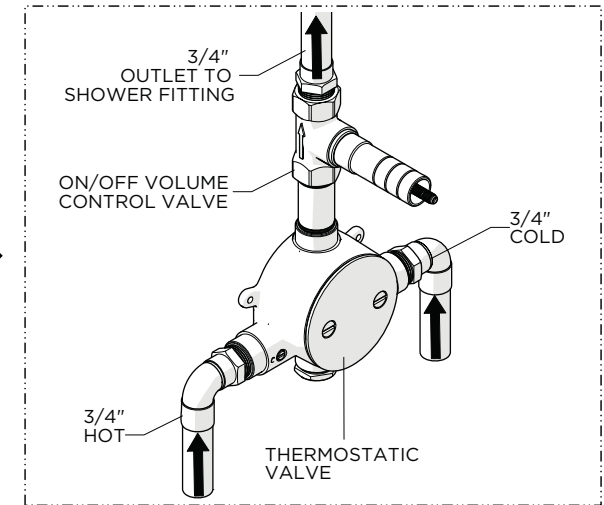
Universal Thermostatic Valve with Integrated Volume Control Valve



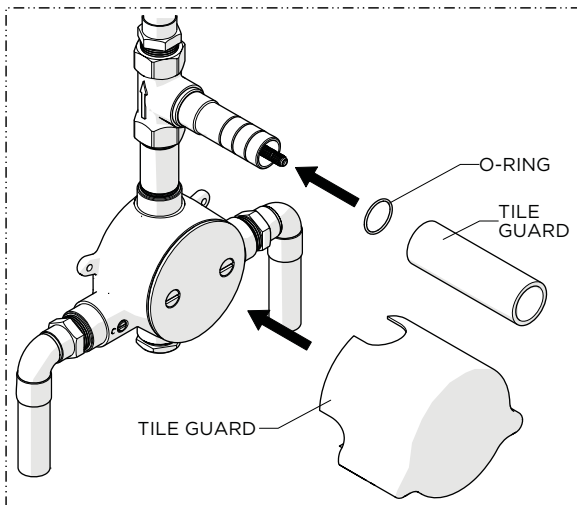
1. Make sure the VALVE is positioned according to the markings so that the inlets are situated with hot piped on the left and cold piped on the right.



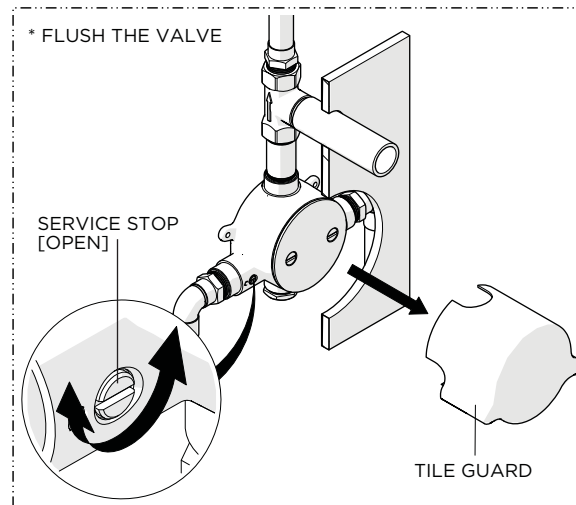
2. The VALVE rough-in depth is measured from the center of the inlets to the surface of the finished wall and varies depending on the trim being used.



3. Run 3/4" COPPER SUPPLY lines to the proper height of the VALVE inlets and be sure to secure all piping and fittings.

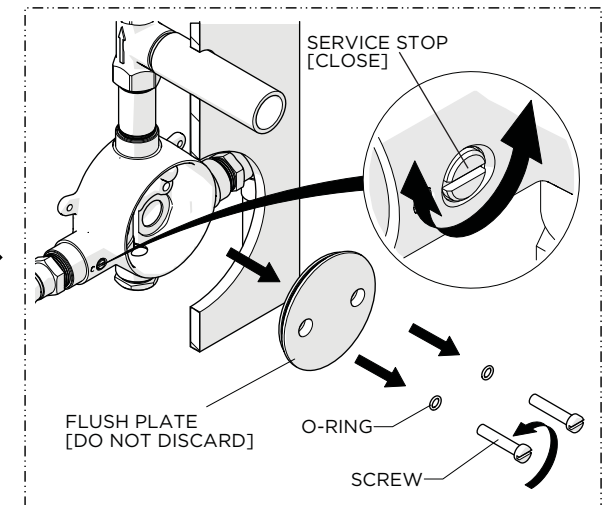


4. Install the TILE GUARDS to protect the VALVE during the completion of the finished wall and to create the exact opening for access to the SERVICE STOPS and future servicing.



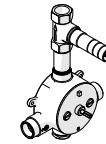
5. Turn on the water supply, remove the TILE GUARD, and open the SERVICE STOPS to flush out the lines to prevent the FILTER SCREENS from clogging.

CAUTION: Failure to flush out the supply lines before installing the CARTRIDGE will permanently damage the CARTRIDGE and **VOID** the warranty. Repeat the flushing process as needed.



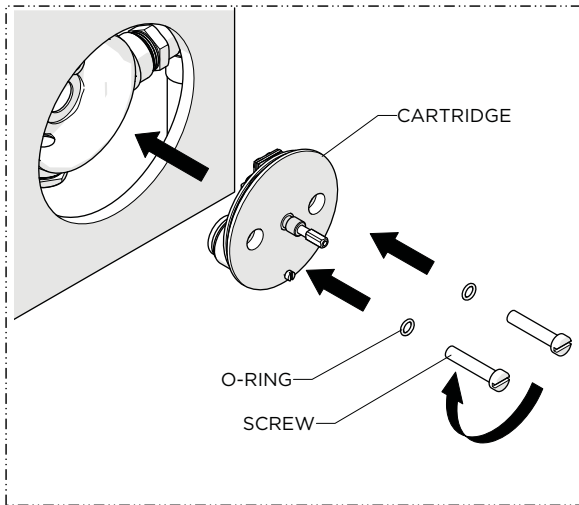
6. After flushing, turn off the water supply, close the SERVICE STOPS, unthread the SCREWS, and remove the FLUSH PLATE [Do NOT discard].

INSTALLATION GUIDELINES

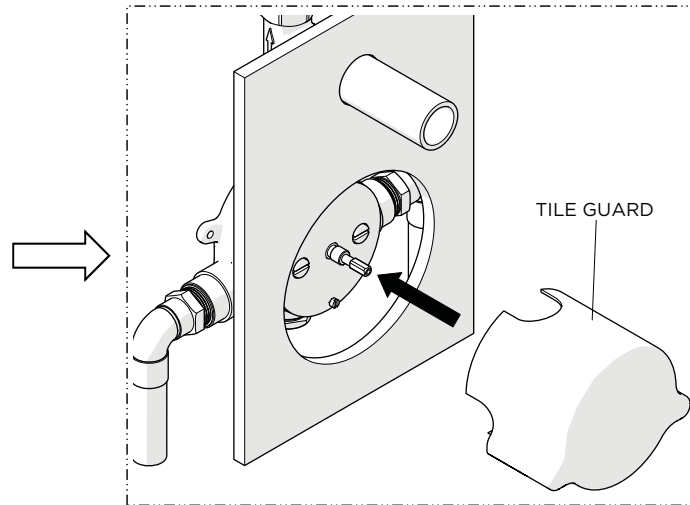


STYLE No. GUTH48, GU48TH

Universal Thermostatic Valve with
Integrated Volume Control Valve



7. Install the CARTRIDGE using the SCREWS provided, making sure the O-RINGS are in place.



8. Re-attach the TILE GUARD to protect the CARTRIDGE until final TRIM installation.