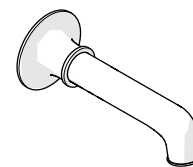


# INSTALLATION GUIDELINES



STYLE No. DSTS80

Dash Wall Mounted Tub Spout

## IMPORTANT:

- To ensure this product is installed properly, you must read and follow these guidelines.
- The owner/user of this product must keep this information for future reference.
- This product must be installed by a professional licensed contractor and must be onsite prior to rough-in, this allows the installer to visualize the installation.
- Check TUB measurements to assure the SPOUT projects far enough into the TUB.
- Anti-scald protection is the responsibility of the installer and according to applicable codes. Be sure your installation conforms to federal, state, and local codes. In the State of Massachusetts, all installations must comply with the rules and regulations set forth within 248 CMR.
- Inspect this product to ensure you have all the parts required for proper installation. Product is sold partially assembled but shown fully disassembled for illustrative and service purposes only.
- Use only a strap wrench or protected/smooth-jaw wrench on any finished surface.
- The use of certain plumber's putty may stain stone or tile surfaces.
- If further assistance is required, please contact Product Support at 1-800-927-2120 Monday through Friday, 8am - 6pm EST.
- Refer to the separate Service Parts Documents for available replacement parts.

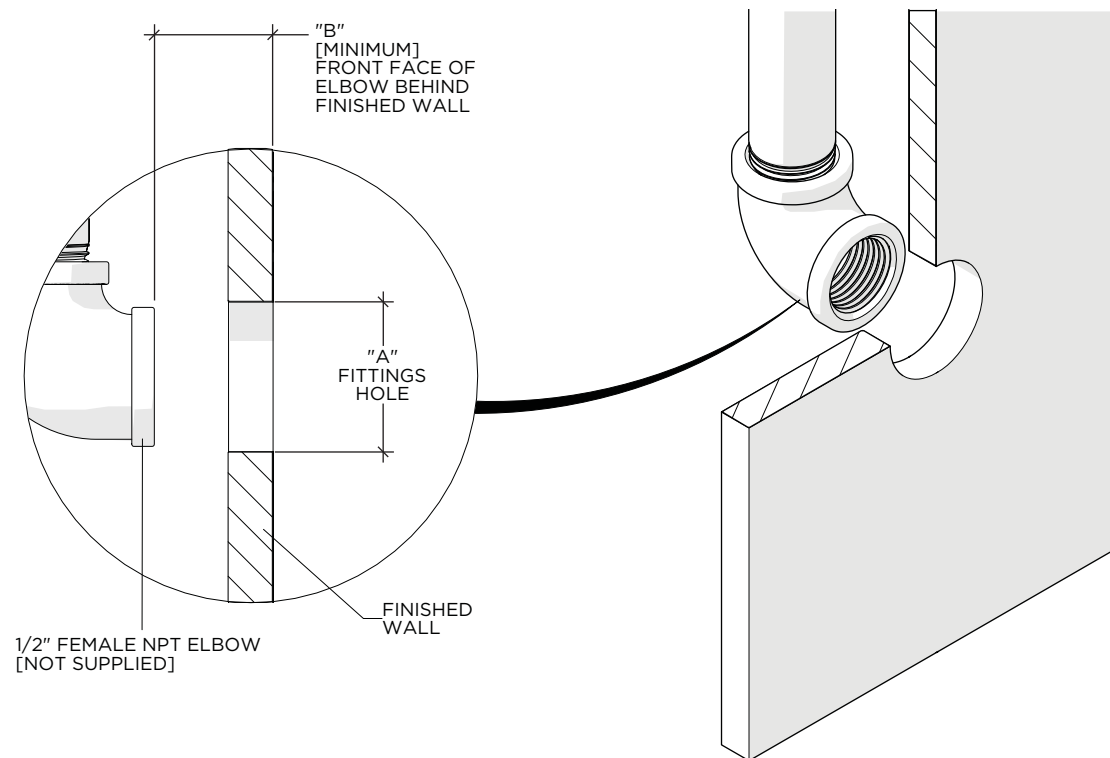
## TECHNICAL DETAILS:

INLET CONNECTION	1/2" MALE NPT ‡
INTEGRATED DIVERTER	NO
SPOUT REACH	6-7/16" [163mm]
WATER PRESSURE RANGE	20psi [1.5 bar] MIN 85psi [6.0 bar] MAX
WATER PRESSURE RECOMMENDED	45psi [3.0 bar]

‡ UK installations do **NOT** require the 1/2" Male NPT ADAPTER provided. Thread sealant should be applied directly onto the 1/2" BSPP threads on the SPOUT.

## ROUGH-IN:

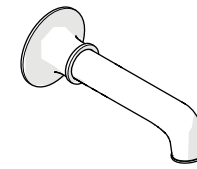
- Determine the ideal location for the TUB SPOUT and rough-in a well supported 1/2" NPT FEMALE ELBOW (not supplied) to the appropriate depth.



DIMENSION	VALUE
A	1-1/4" [32mm]
B	1" [25mm] MINIMUM

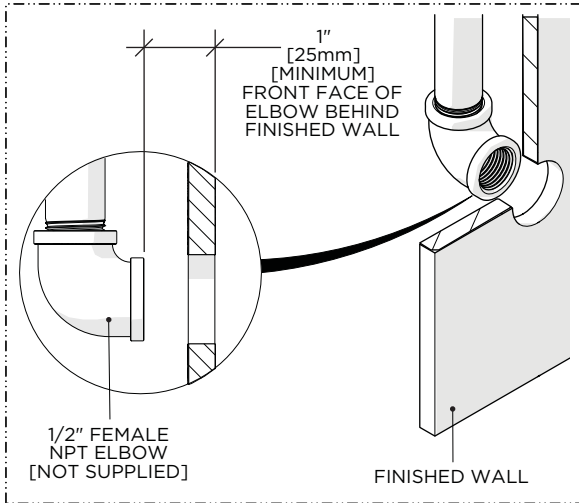
# WATERWORKS

## INSTALLATION GUIDELINES

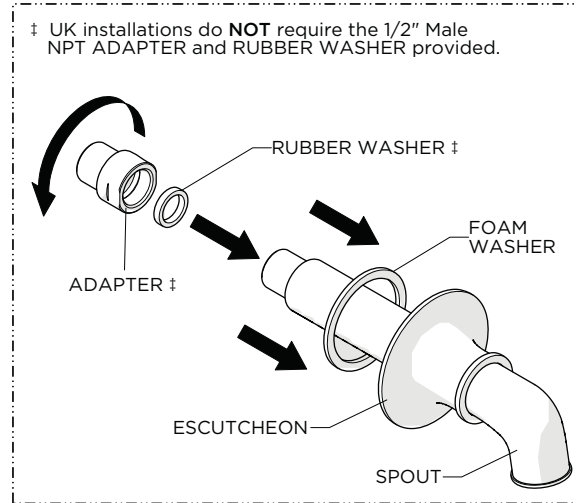


STYLE No. DSTS80

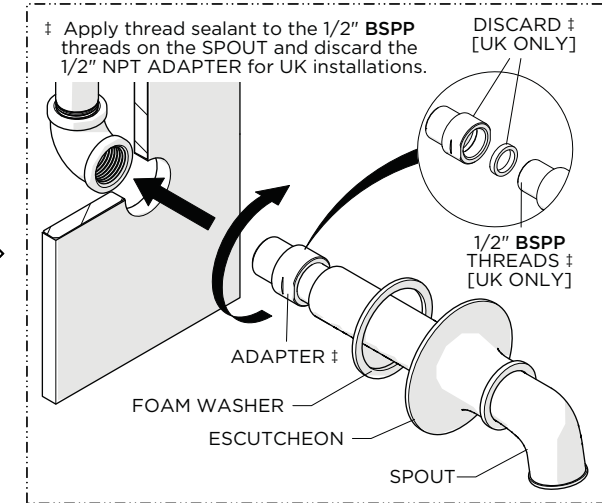
Dash Wall Mounted Tub Spout



1. Ensure the ELBOW (not supplied) is properly roughed-in to the appropriate depth.

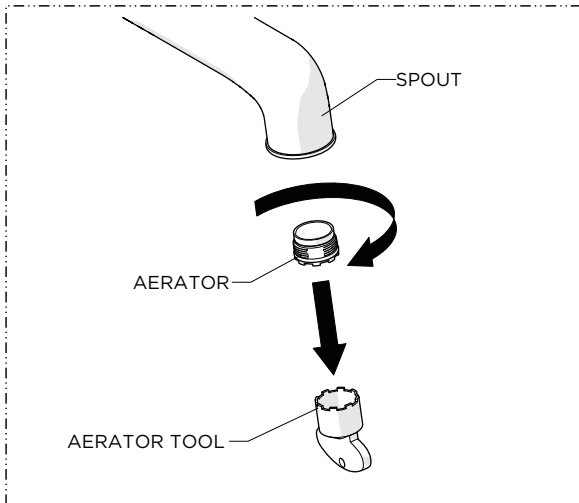


2. Slide the ESCUTCHEON onto the SPOUT, making sure to use the FOAM WASHER provided, then thread the 1/2" NPT ADAPTER ‡ onto the SPOUT using the RUBBER WASHER provided.

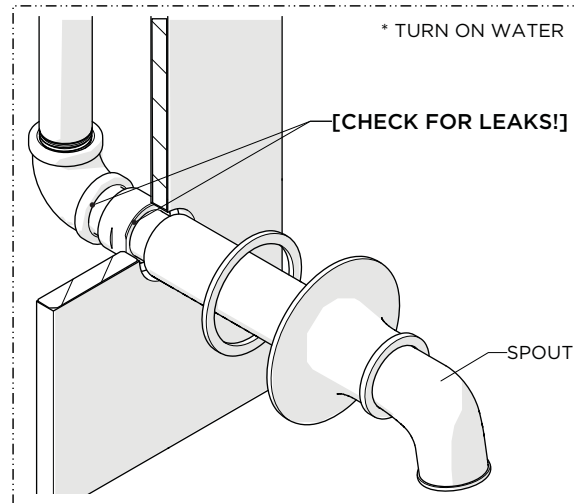


3. Apply thread sealant to the ADAPTER ‡ then thread and securely tighten the SPOUT into the ELBOW.

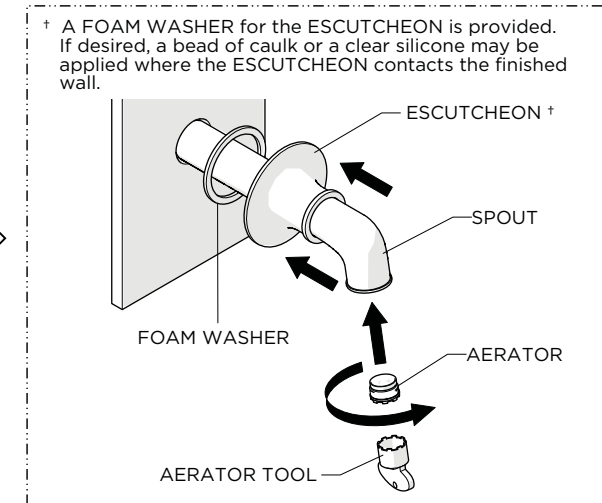
**NOTE:** Apply thread sealant directly onto the 1/2" BSPP threads on the SPOUT for UK installations.



4. Using the TOOL provided, remove the AERATOR.



5. Turn on the water and a diverter/wall valve (sold separately) to flush out any debris in the supply line and inspect all connections for leaks then turn the water off.



6. Re-install the AERATOR then slide the ESCUTCHEON down the SPOUT until it contacts the finished wall.