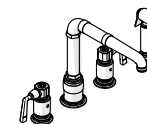


INSTALLATION GUIDELINES



STYLE No. RWKM50

R.W. Atlas Two Hole High Profile Kitchen Faucet, Metal Side Mount Levers and Spray

IMPORTANT:

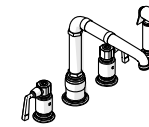
- To ensure this product is installed properly, you must read and follow these guidelines.
- The owner/user of this product must keep this information for future reference.
- This product must be installed by a professional licensed contractor.
- Be sure your installation conforms to federal state, and local codes. In the State of Massachusetts, all installations must comply with the rules and regulations set forth within 248 CMR.
- Inspect this product to ensure you have all the parts required for proper installation. Product is sold partially assembled but shown fully disassembled for illustrative and service purposes only.
- Use only a strap wrench or protected/smooth-jaw wrench on any finished surface.
- The use of certain plumber's putty may stain stone or tile surfaces.
- If further assistance is required, please contact Product Support at 1-800-927-2120 Monday through Friday, 8am - 6pm EST.
- Refer to the separate Service Parts Documents for available replacement parts.

TECHNICAL DETAILS:

DETAIL	SPECIFICATION
ADJUSTABLE VERSUS FIXED SPRAY	FIXED
DECK THICKNESS	1/4" [6mm] MIN 1-5/8" [42mm] MAX
FITTINGS HOLE DIAMETER	Ø1-3/8" [35mm]
HANDLE SPREAD	8" [203mm] MIN 12" [305mm] MAX
HANDLE TURN ANGLE	QUARTER TURN
INLET CONNECTION TYPE	1/2" MALE WITH SUPPLY NUT
RESTRICTED MAXIMUM FLOW RATE	2.2gpm [8.3L/min]
SPOUT REACH	9-7/8" [251mm]
SPOUT SWIVEL	YES
SPRAY HOSE LENGTH	49" [1.2m]
SPRAY INCLUDED IN UNIT	YES
WATER PRESSURE RANGE	20psi [1.5 bar] MIN 85psi [6.0 bar] MAX
WATER PRESSURE RECOMMENDED	45psi [3.0 bar]

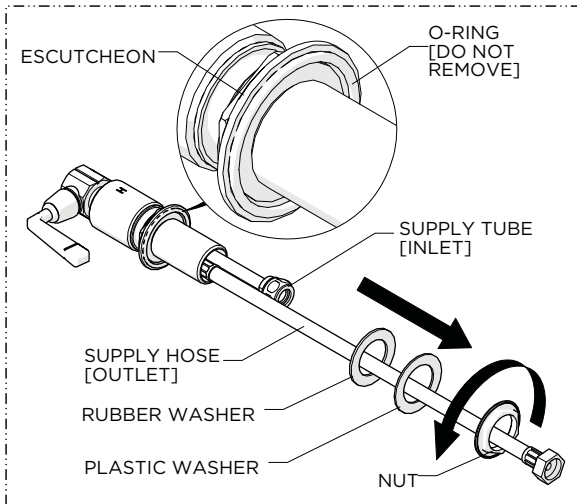
WATERWORKS

INSTALLATION GUIDELINES



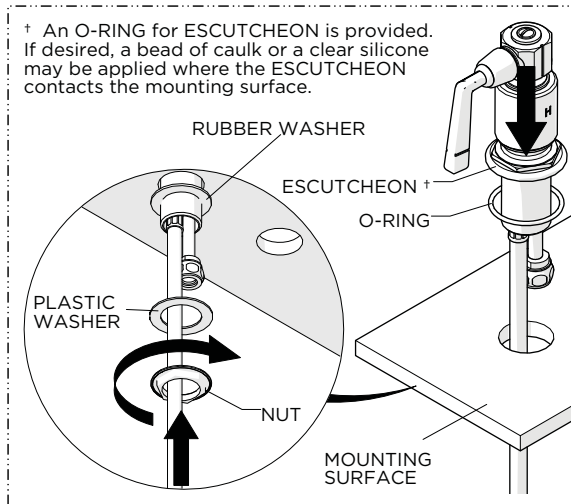
STYLE No. RWKM50

R.W. Atlas Two Hole High Profile Kitchen Faucet, Metal Side Mount Levers and Spray

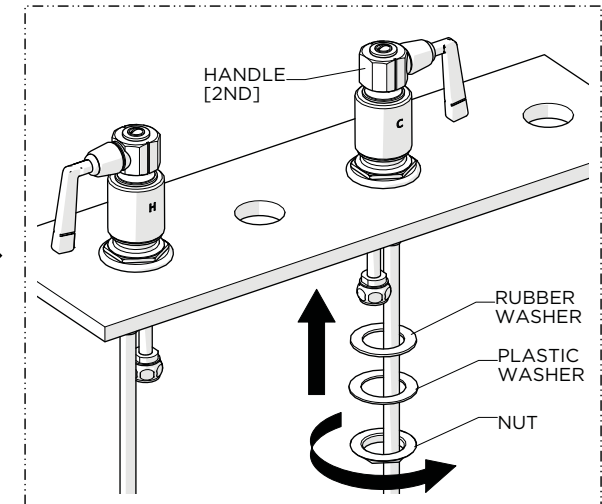


1. Unthread and remove the NUT from the HANDLE then remove the PLASTIC and RUBBER WASHERS.

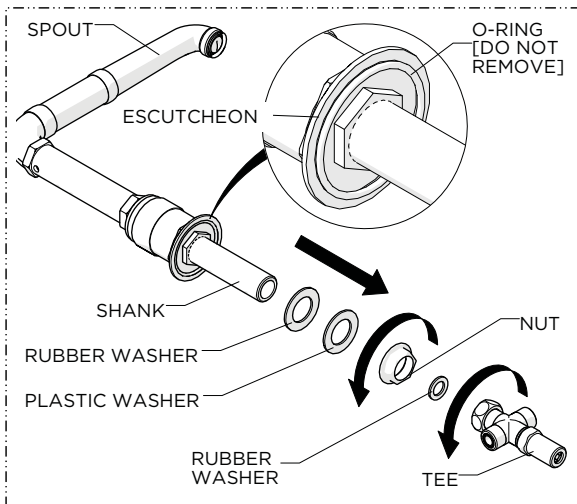
NOTE: Do **NOT** remove the O-RING beneath the ESCUTCHEON.



2. Insert the HANDLE through the hole on the mounting surface making sure the O-RING provided is beneath the ESCUTCHEON then re-install the WASHERS and NUT. Ensure the HANDLE is properly aligned then securely tighten the NUT.

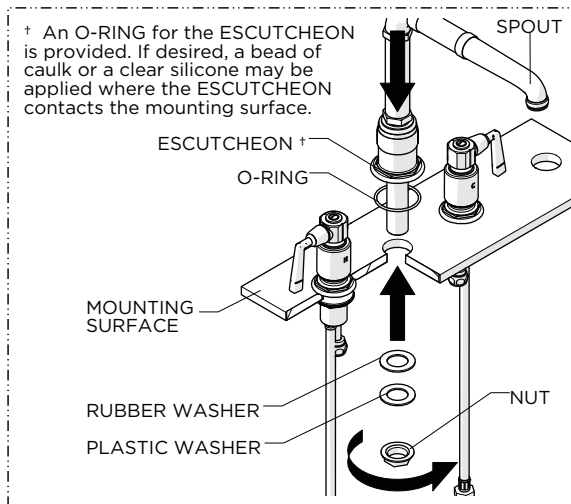


3. Repeat Steps 1 and 2 to install the second HANDLE.

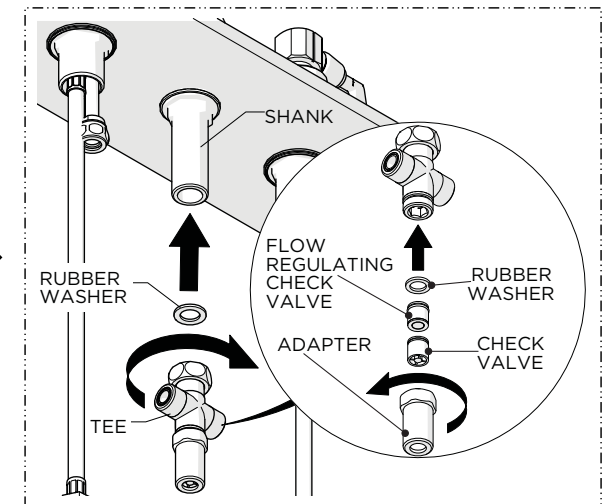


4. Unthread and remove the TEE and NUT from the SPOUT then remove the PLASTIC and RUBBER WASHERS.

NOTE: Do **NOT** remove the O-RING beneath the ESCUTCHEON or discard the RUBBER WASHER provided with the TEE.



5. Insert the SPOUT through the hole on the mounting surface making sure the O-RING provided is beneath the ESCUTCHEON then re-install the WASHERS and NUT. Ensure the SPOUT is properly aligned then securely tighten the NUT.

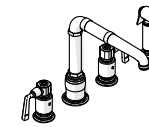


6. Using the RUBBER WASHER provided, thread and securely tighten the TEE back onto the SPOUT.

NOTE: 2 CHECK VALVES, 1 flow regulating, are located inside the ADPTER at the base of the TEE.

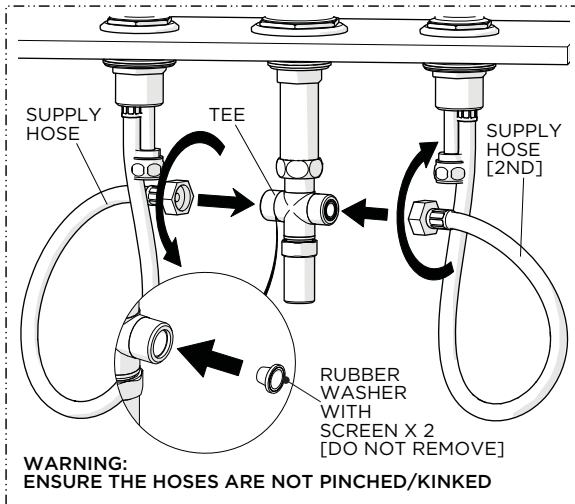
WATERWORKS

INSTALLATION GUIDELINES



STYLE No. RWKM50

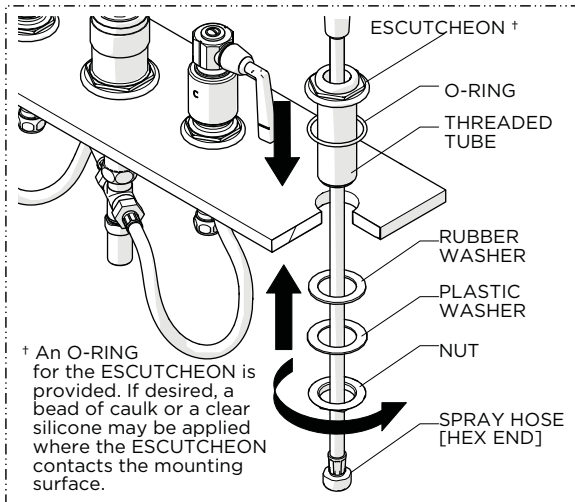
R.W. Atlas Two Hole High Profile Kitchen Faucet, Metal Side Mount Levers and Spray



WARNING:
ENSURE THE HOSES ARE NOT PINCHED/KINKED

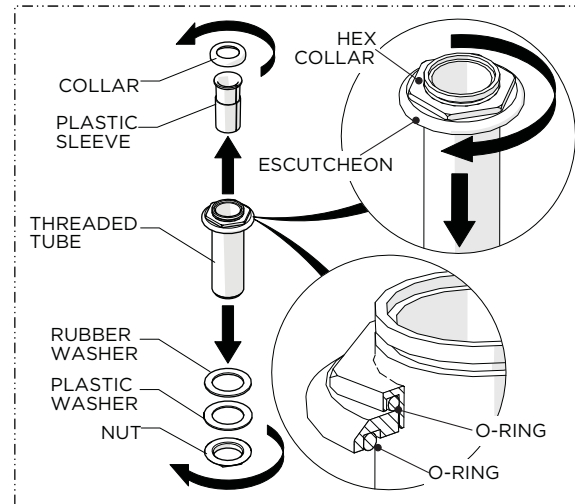
7. Thread and securely tighten the SUPPLY HOSES onto the TEE and ensure the HOSES are not pinched/kinked.

NOTE: Do NOT remove the RUBBER WASHERS inside the inlets of the TEE.



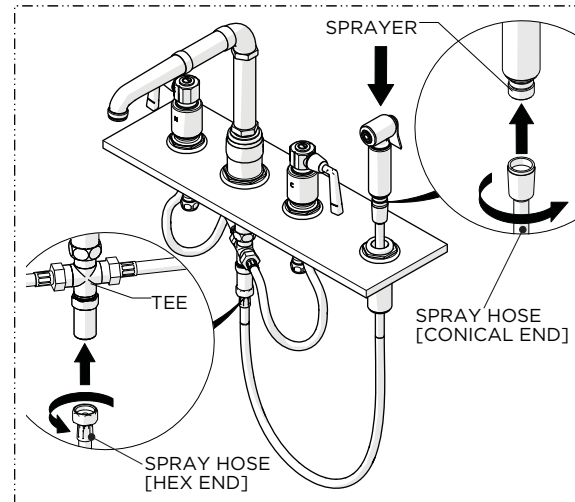
† An O-RING for the ESCUTCHEON is provided. If desired, a bead of caulk or a clear silicone may be applied where the ESCUTCHEON contacts the mounting surface.

10. Insert the HOSE and THREADED TUBE through the hole on the mounting surface making sure the O-RING provided is beneath the ESCUTCHEON then re-install the WASHERS and NUT. Ensure the HEX COLLAR is properly aligned then securely tighten the NUT.

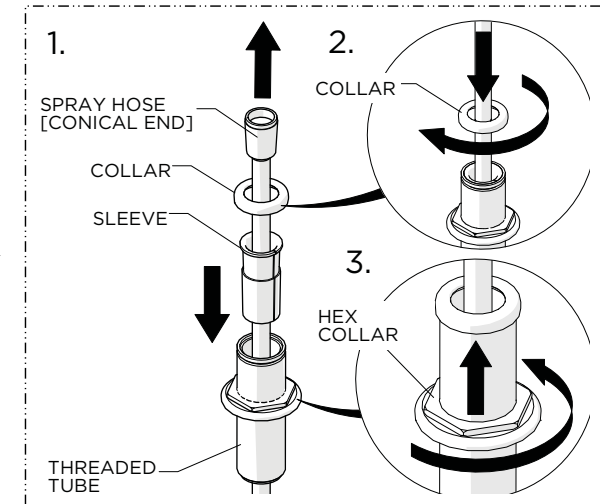


8. Unthread and remove the COLLAR, PLASTIC SLEEVE, NUT and WASHERS from the THREADED TUBE then partially unthread the HEX COLLAR.

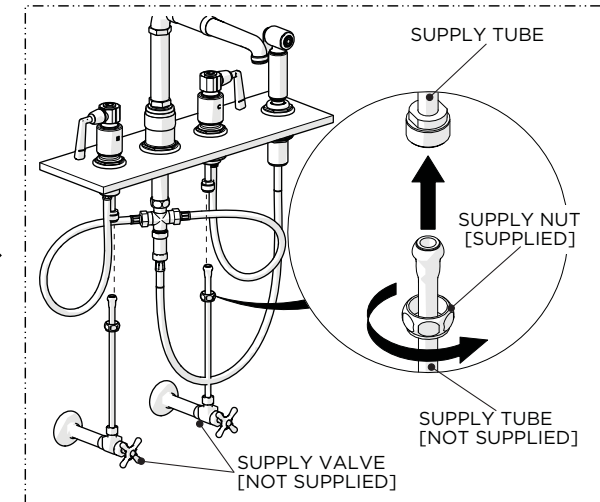
NOTE: Do NOT remove the ESCUTCHEON or O-RING.



11. Thread and securely tighten the SPRAY HOSE [conical end] onto the SPRAYER and insert the HOSE into the PLASTIC SLEEVE until it stops then thread securely tighten the HOSE [hex end] onto the TEE.



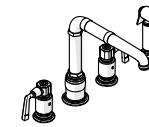
9. Insert the SPRAY HOSE through the THREADED TUBE, PLASTIC SLEEVE and COLLAR then insert the SLEEVE into the TUBE. Thread and securely tighten the COLLAR onto the TUBE then thread the HEX COLLAR until it stops.



12. Unthread and remove the SUPPLY NUT from the SUPPLY TUBE, then make final SUPPLY VALVE [sold separately] connections.

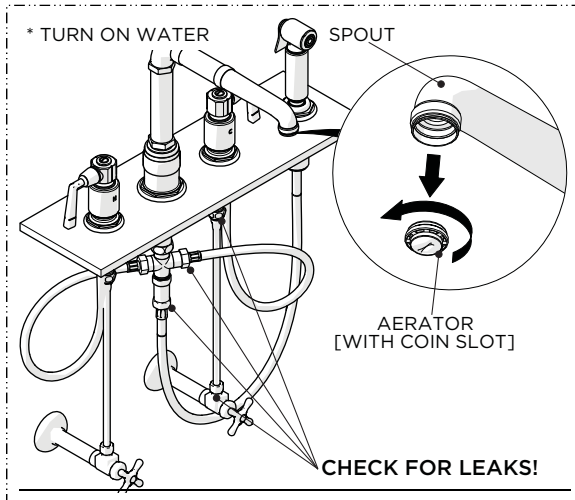
WATERWORKS

INSTALLATION GUIDELINES



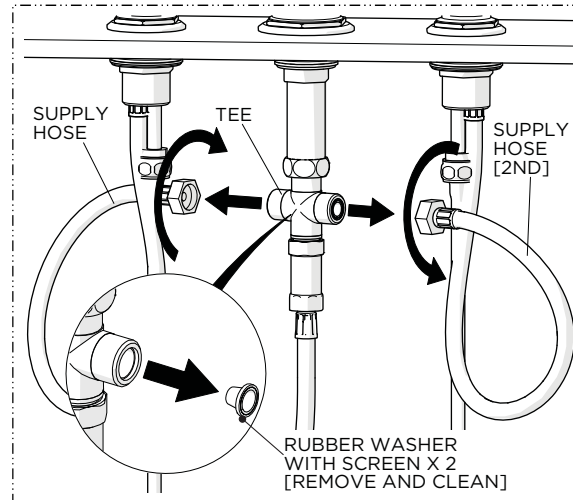
STYLE No. RWKM50

R.W. Atlas Two Hole High Profile Kitchen Faucet, Metal Side Mount Levers and Spray

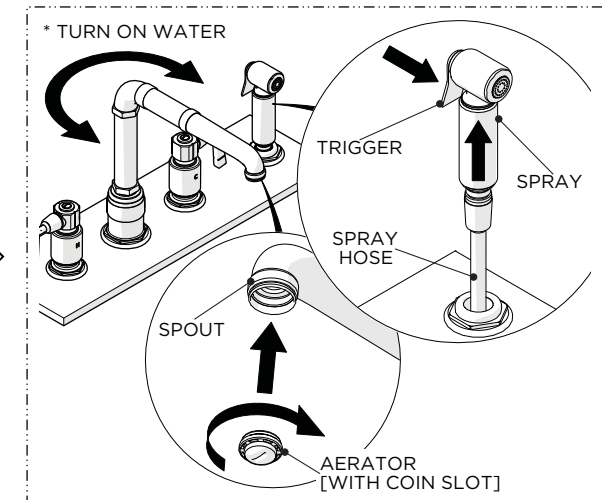


13. Remove the AERATOR then turn on the water to flush out any debris in the supply and inspect all connections for leaks.

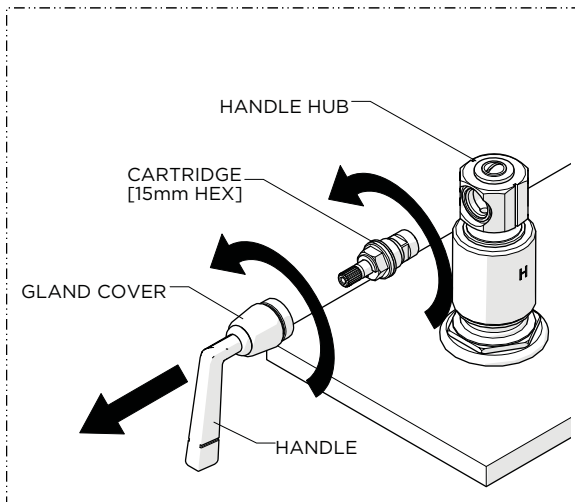
CAUTION: Flush out the supply lines prior to operating the SPRAYER.



14. Turn off the water and unthread both the SUPPLY HOSES from the TEE to remove and clean the RUBBER WASHERS WITH SCREENS then re-install the WASHERS and HOSES.

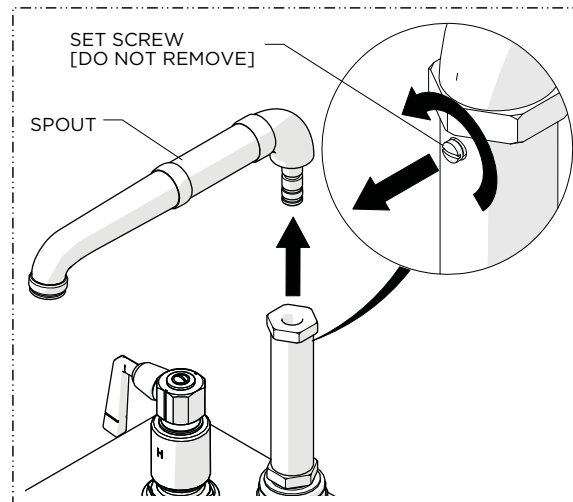


15. Re-install the AERATOR then turn on the water and operate the SPRAY to ensure it operates and functions properly and rotate the SPOUT to ensure it swivels properly.



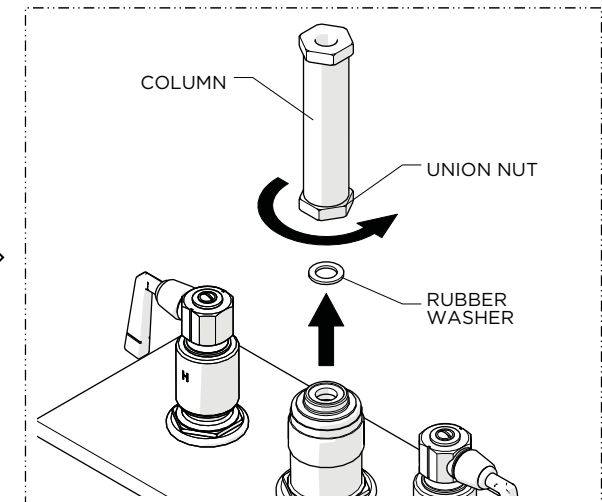
SERVICING THE CARTRIDGE:

1. Unthread the GLAND COVER and pull off the HANDLE to expose the CARTRIDGE then unthread and remove the CARTRIDGE from the HANDLE HUB.



SERVICING THE SPOUT:

1. Loosen, but do NOT remove, the SET SCREW behind the SPOUT then pull off the SPOUT.



2. Unthread the UNION NUT then pull off the SPOUT COLUMN.