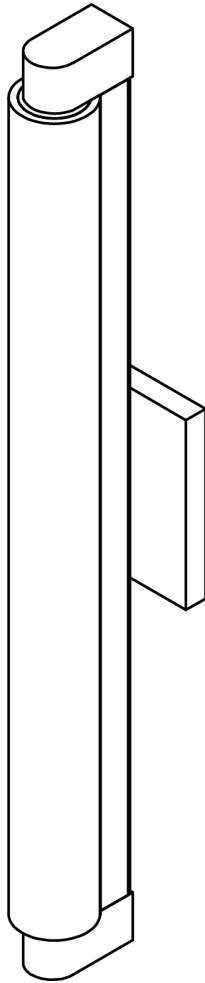


Style No. AILT02 [AI02LT]
Axil Wall Mounted Bar Sconce



* All items in [brackets] refer to CE styles

SPECIFICATIONS:

Outlet Box Orientation: Any

Outlet Box: Standard octagon box

Outlet Box Size for AILT02 [AI02LT]: Standard octagon box 3-1/2"

Orientation for AILT02 [AI02LT]: Wall Only

Shade Material: Glass

Voltage: 120 [240]

Required Electrical Feeds:

Black "Hot" wire; White "Neutral" wire; Green or Bare "Ground" wire

[Brown "Line" wire; Blue "Neutral" wire; Green/Yellow Striped or Bare "Earth" wire]

IMPORTANT:

- **WARNING:** The power supply must be turned off prior to installation. Turn off the main electrical supply to the outlet box from the fuse box/circuit breaker. Turning power off at the switch is not sufficient.
- To ensure this product is installed properly, you must read and follow these guidelines.
- The owner/user of this product must keep this information for future reference.
- AILT02 is ETL certified and suitable for damp or dry locations. The ETL listing mark can be found on the inside of the cover plate.
- AI02LT is CE rated. Proof of CE compliance will be provided upon request.
- Be sure your installation conforms to all federal, state, and local codes.
- This product must be installed by a professional licensed electrical contractor.
- Refer to the specification and assembly drawings attached. Product is sold partially assembled but shown fully disassembled for illustrative and service purpose only.

These guidelines have been prepared for the professional contractor to aid in the installation of:
AXIL WALL MOUNTED BAR SCONCE (STYLE# AILT02 / [AI02LT])
All dimensions are based on original specification and are subject to change and variation.
Please consult your Design Associate for current specifications.

W A T E R W O R K S

AILT02 [AI02LT] INSTALLATION:

- **REQUIRED:** Install a 3-1/2" octagon electrical outlet box at the desired height.
- 1. Connect the white wire from the driver to the white wire from the outlet box using a wire nut. Tightly wrap the connection with electrical tape beginning 1" [25mm] below the wire nut to ensure the tape seals the end of the nut. Make sure that there are no exposed wires that could cause a short circuit.
- 2. Repeat previous step with the black wires from the driver and outlet box. Make sure the driver and all wires are pushed into the outlet box.
- See Figure - 01 for Step 3.
- 3. Remove the MOUNTING PLATE from the CANOPY by loosening 2 SET SCREWS using HEX WRENCH provided.

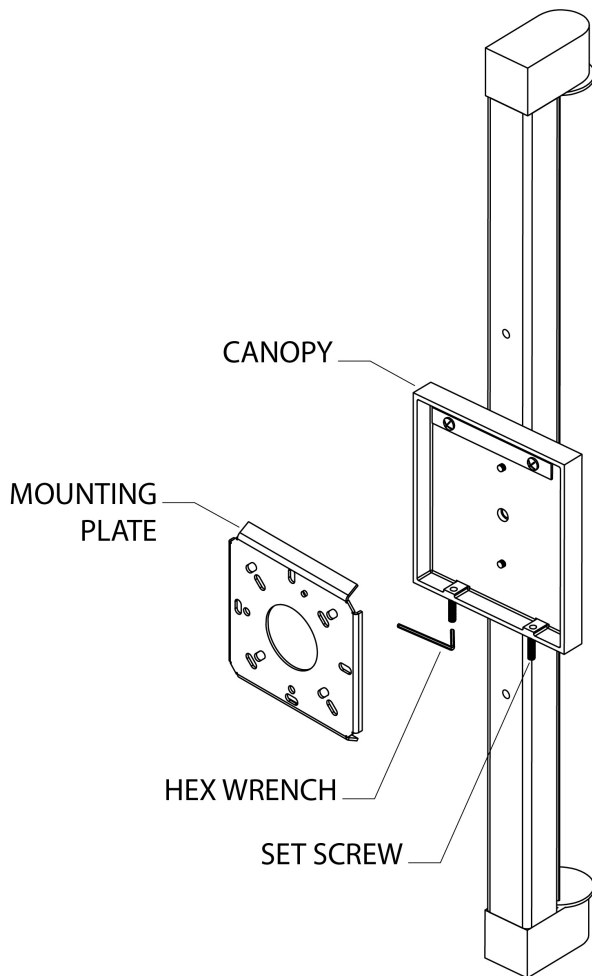


FIGURE - 01

- See Figure - 02 for Steps 4-5.
- 4. Install the mounting plate onto the OUTLET BOX by first fastening the ground wire to the MOUNTING PLATE using the GROUND SCREW.
- 5. Attach the MOUNTING PLATE to the OUTLET BOX using the MOUNTING SCREWS making sure to keep the proper alignment of the plate and that the output wires from the driver inside the OUTLET BOX extend through the hole in the MOUNTING PLATE.

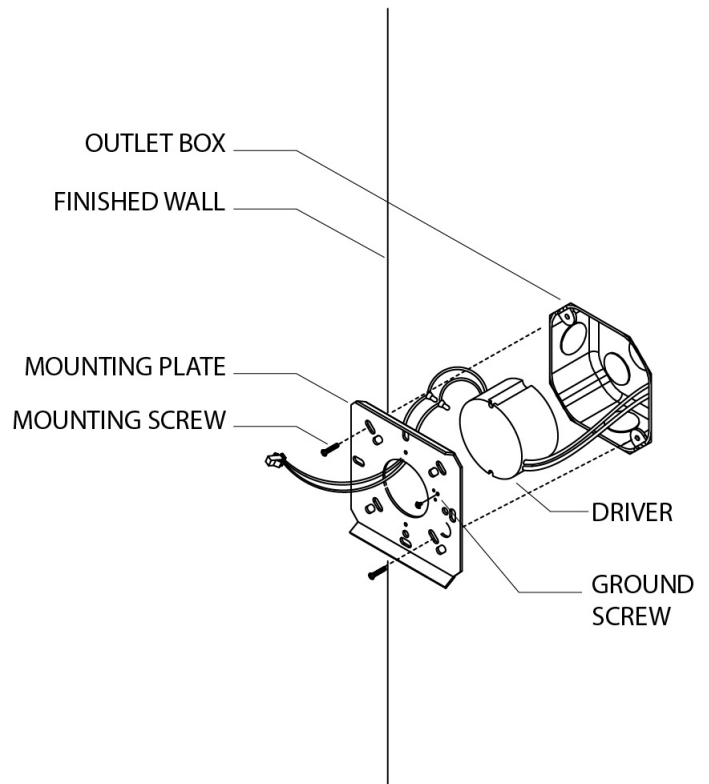


FIGURE - 02

These guidelines have been prepared for the professional contractor to aid in the installation of:
AXIL WALL MOUNTED BAR SCONCE (STYLE# AILT02 / [AI02LT])
 All dimensions are based on original specification and are subject to change and variation.
 Please consult your Design Associate for current specifications.

WATERWORKS

- See Figure - 03 for Steps 6-7.
- 6. Install the SHADE by first sliding the LOW VOLTAGE PLUG through the hole in the center of the FIXTURE BODY.
- 7. Then mount the SHADE by inserting the SHADE HOLDER STUDS into the mounting holes on the FIXTURE BODY and securing SHADE HOLDER with 2 THUMB NUTS.

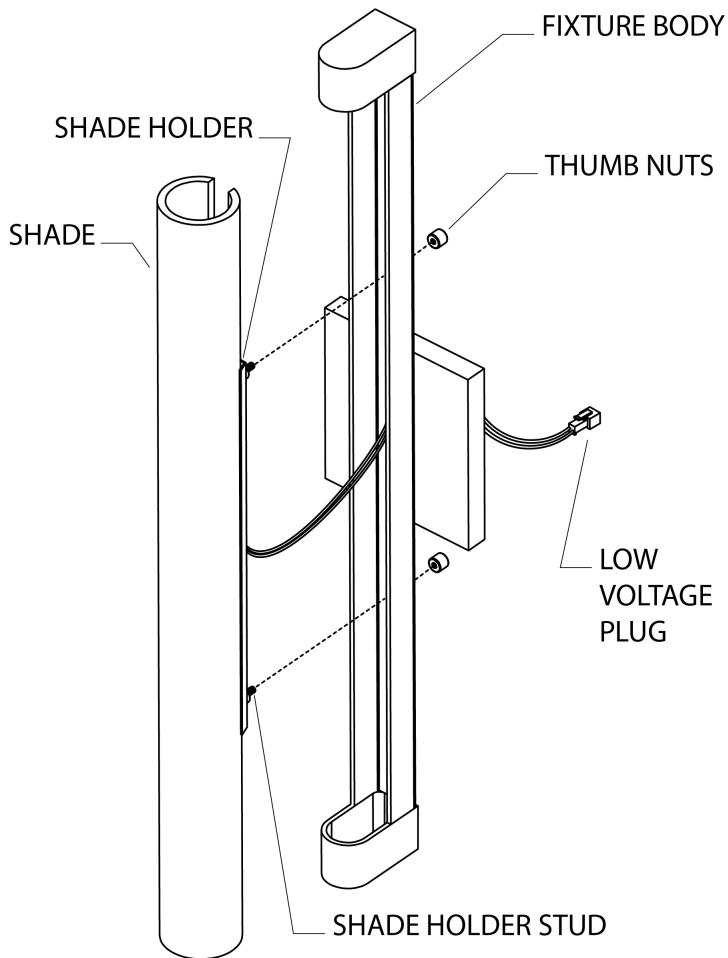


FIGURE - 03

- See Figure - 04 for Steps 8-11.
- 8. Connect the PLUG CONNECTORS from the FIXTURE and DRIVER together ensuring that the locking clip engages.
- 9. Mount CANOPY onto MOUNTING PLATE making sure the set screws are facing to the floor.
- 10. Using the HEX WRENCH provided, tighten the 2 SET SCREWS until CANOPY is secure.
- 11. Restore power to outlet box.

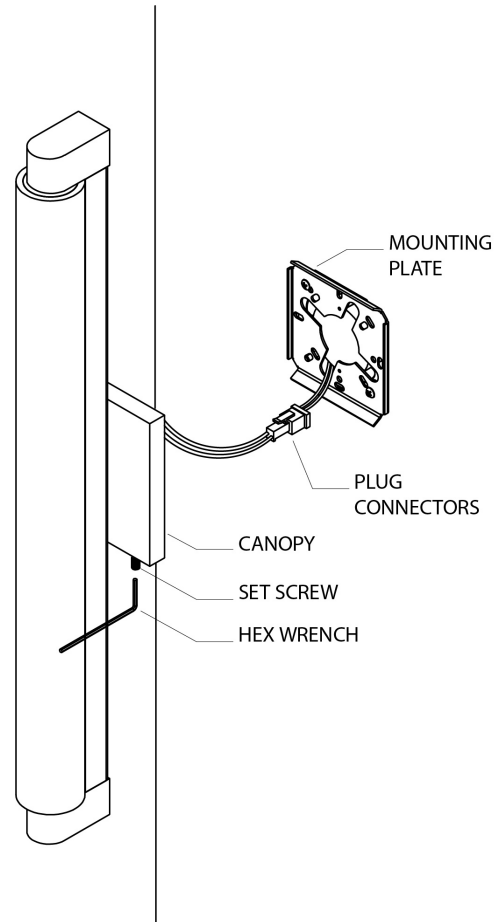


FIGURE - 04

These guidelines have been prepared for the professional contractor to aid in the installation of:
AXIL WALL MOUNTED BAR SCONCE (STYLE# AILT02 / [A102LT])
 All dimensions are based on original specification and are subject to change and variation.
 Please consult your Design Associate for current specifications.

WATERWORKS