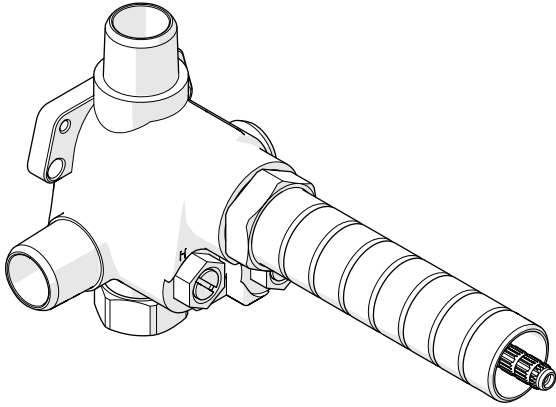


# WATERWORKS

## INSTALLATION GUIDELINES

STYLE No. GUTH60, GU60TH  
 Universal 1/2" Thermostatic Valve

### STYLE NO. GUTH60, GU60TH†



#### REQUIRED PLUMBING DETAILS:

- For use with SHOWER HEADS rated at 1.3gpm [4.9L/min] or higher.
- This VALVE **CANNOT** be used with a **DIVERTING** TUB SPOUT.

#### IMPORTANT:

- To ensure this VALVE is installed properly, you must read and follow these guidelines.
- The owner/user of this VALVE must keep this information for future reference.
- This VALVE and associated TRIM (SOLD SEPARATELY) must be installed by a professional licensed contractor and must be onsite prior to rough-in. This allows the installer to visualize the installation.
- **CAUTION:** The VALVE rough-in depth is measured from the center of the inlets to the surface of the finished wall.
- This VALVE is sold partially assembled but shown fully disassembled for illustrative and service purposes only. Inspect the VALVE to ensure you have all the parts required for proper installation.
- This VALVE features anti-scald protection. The risk of scalding exists until the installer has properly calibrated/adjusted the temperature setting during final TRIM installation.
- Be sure your installation conforms to all federal, state, and local codes. In the State of Massachusetts, all installations must comply with the rules and regulations set forth within 248 CMR.
- Supply fittings are designed in accordance with pressure and temperature ratings specified in ASME A112.18.1/B125.

- If this VALVE will remain unused for an extended period of time (over 3 months), then the water to the VALVE should be shut off (via service stops or system control valve) and the diverter or wall valve(s) should be opened to allow the water in the THERMOSTATIC VALVE to evaporate. This is to keep the CARTRIDGE from being exposed to stagnant or hard water, which can cause the VALVE to malfunction.
- If further assistance is required, please contact Product Support at 1-800-927-2120 Monday through Friday, 8am - 6pm EST.
- Refer to the separate Service Parts Documents for available replacement parts.

#### VALVE FUNCTION:

- This VALVE only mixes hot and cold water, it does not have an on/off/volume control function. A separate diverter or wall valve **MUST BE** installed for each fitting that will have water flowing to it.
- This VALVE has an optional bottom outlet port that can be used to supply water to 1 additional fitting which will require a separate wall valve and trim.
- ALL VALVES AND TRIMS SOLD SEPARATELY.

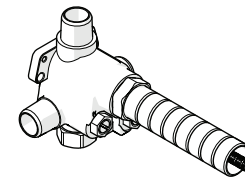
#### TECHNICAL DETAILS:

| DETAIL                                      | SPECIFICATION   |
|---|---|
| INLET/OUTLET CONNECTIONS                    | 1/2" MALE NPT †   |
| ROUGH-IN DEPTH                              | 4-1/2" [114mm] <b>MAXIMUM</b><br>3-5/8" [92mm] <b>MINIMUM</b> |
| UNRESTRICTED MAX FLOW RATE @ 45 PSI [3 bar] | 5gpm [18.9L/min]  |
| WATER PRESSURE MAXIMUM                      | 85psi [6.0 bar]   |
| WATER PRESSURE MINIMUM                      | 20psi [1.5 bar]   |
| WATER PRESSURE RECOMMENDED                  | 45psi [3.0 bar]   |

† Style No. **GU60TH** is provided with 4 **BSPP** ADAPTERS. ADAPTERS are packaged separately and assembly is required. Replacement ADAPTERS can be ordered separately:

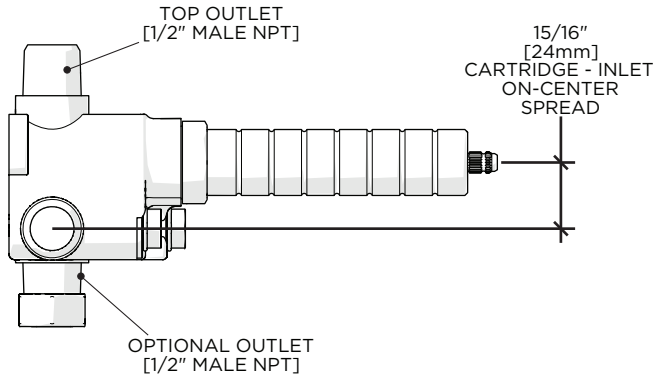
- Universal 1/2" NPT Female x 1/2" Male BSPP Adapter  
 Style No. UNUK03  
 Item No. 45-49169-39868

# WATERWORKS INSTALLATION GUIDELINES



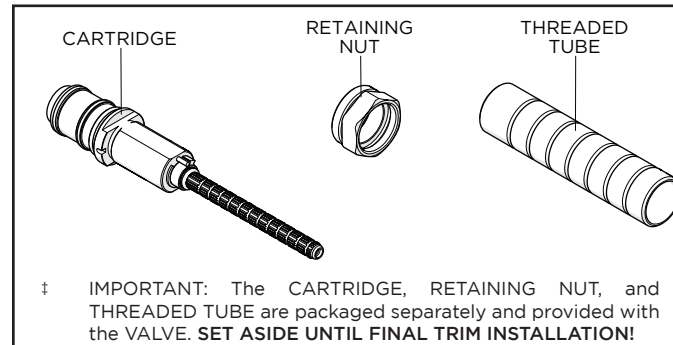
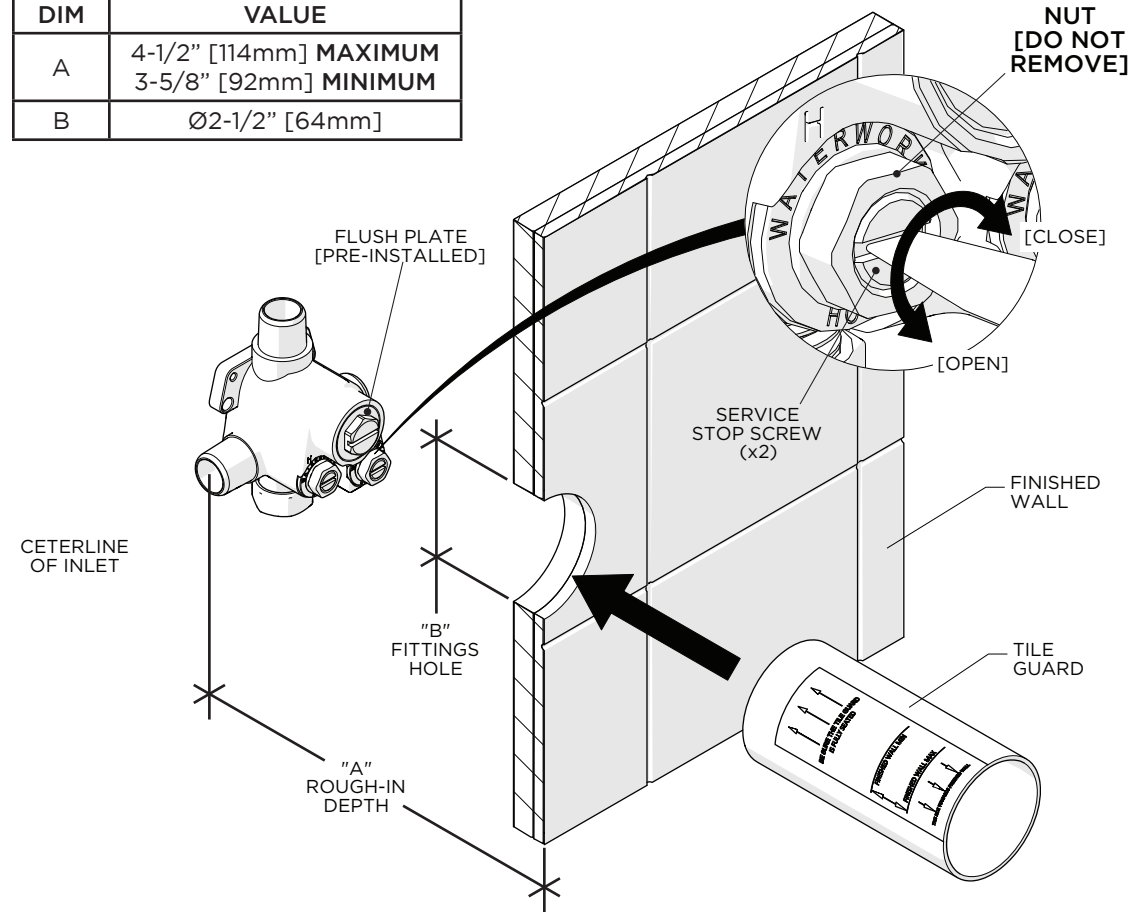
STYLE No. GUTH60, GU60TH  
Universal 1/2" Thermostatic Valve

## ROUGH-IN AND VALVE PREPARATION:

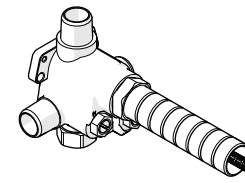


- Check incoming water pressure.
- The rough-in depth is measured from the centerline of the inlets to the surface of the finished wall. Refer to the Installation Guidelines of the specific trim being used for related information.
- **CAUTION: DO NOT APPLY DIRECT HEAT TO THE VALVE.** Pre-solder any connections to prevent damage to the SERVICE STOP SEALS, THERMOSTATIC CARTRIDGE, and other internal components.
- This VALVE is shipped with a pre-installed FLUSH PLATE and is ready for flushing the lines.
- Before installing the THERMOSTATIC CARTRIDGE, the supply lines MUST BE flushed out to prevent clogging of the FILTER SCREENS.
- Failure to flush the lines will permanently damage the CARTRIDGE and **VOID** the warranty. Repeat the flushing process as needed prior to final TRIM installation.
- This VALVE includes integrated SERVICE STOPS. Make sure the TILE GUARD is in place prior to finished wall installation to ensure future access for servicing.

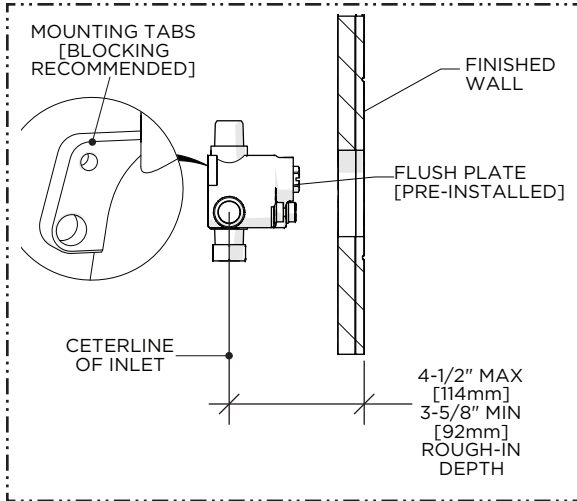
| DIM | VALUE   |
|-----|---|
| A   | 4-1/2" [114mm] <b>MAXIMUM</b><br>3-5/8" [92mm] <b>MINIMUM</b> |
| B   | Ø2-1/2" [64mm]  |



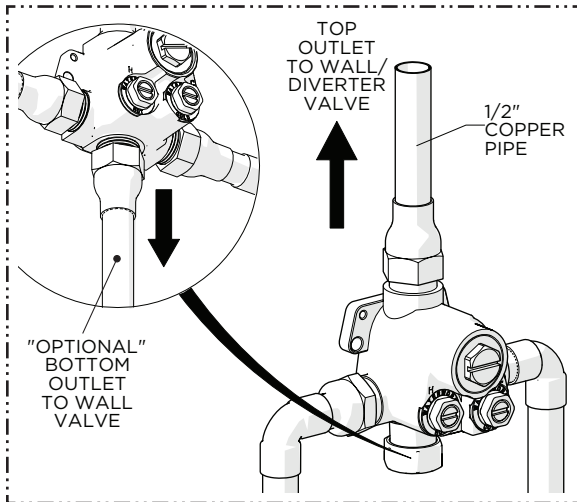
# WATERWORKS INSTALLATION GUIDELINES



STYLE No. GUTH60, GU60TH  
Universal 1/2" Thermostatic Valve

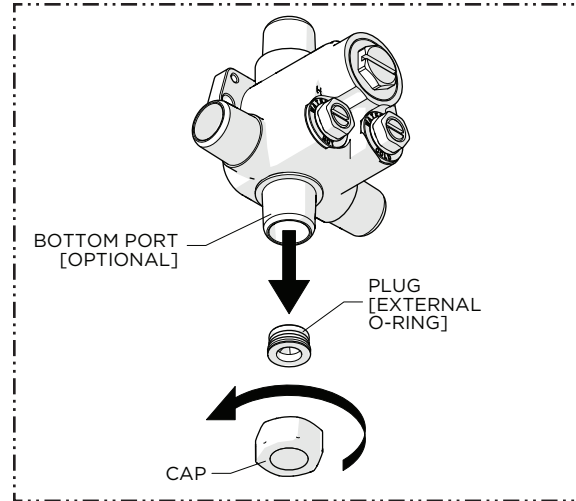


1. The rough-in depth is measured from the centerline of the inlets to the surface of the finished wall and must be between 4-1/2" [114mm] **MAXIMUM** and 3-5/8" [92mm] **MINIMUM**.

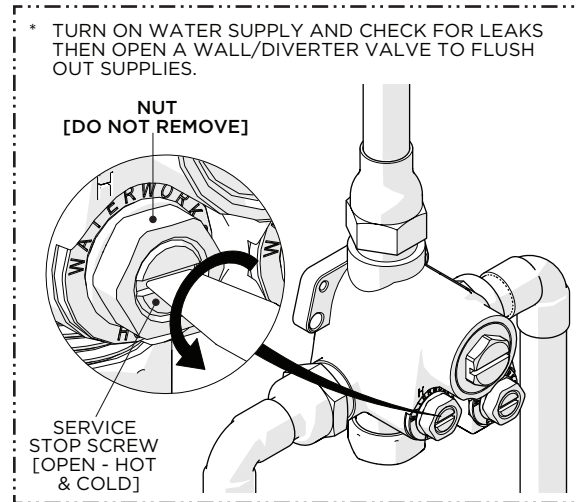


4. Run a 1/2" copper line from the top outlet and bottom outlet, if used, to a diverter/wall valve (sold separately) making sure to secure all piping and fittings.

**NOTE:** A diverter or wall valve must be installed for each fitting that will have water flowing to it.

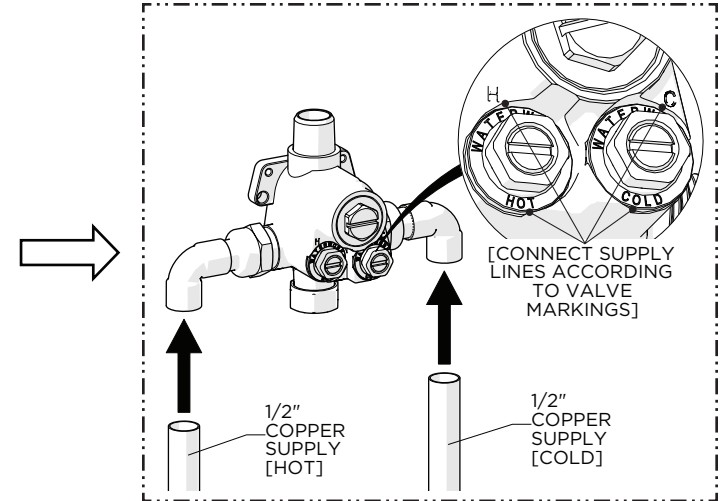


2. **OPTIONAL BOTTOM PORT**
  - a. If port **WILL BE** used to supply water to an additional fitting, remove the pre-installed CAP and PLUG or,
  - b. If port **WILL NOT BE** used, make sure the CAP is securely tightened.



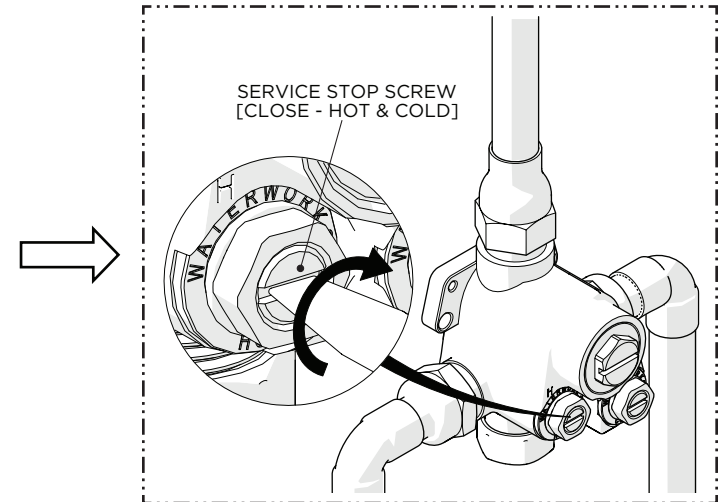
5. Turn on the water supplies then open the hot and cold SERVICE STOPS and open a diverter/wall valve to flush out the lines and check for leaks.

**CAUTION: FAILURE TO FLUSH THE SUPPLY LINES WILL PERMANENTLY DAMAGE THE CARTRIDGE AND VOID THE WARRANTY!**



3. Run 1/2" copper supply lines to the proper height and depth of the VALVE INLETS making sure they are piped according to the VALVE markings and all piping and fittings are properly secured.

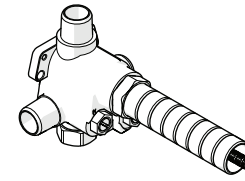
**NOTE:** Style No. **GU60TH** is provided with 4 BSPP ADAPTERS.



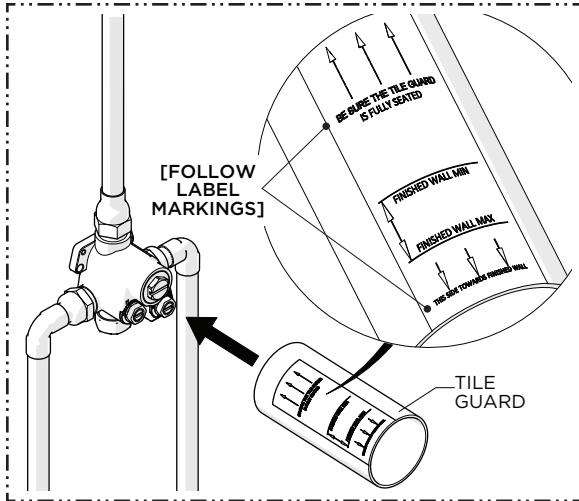
6. After the supply lines have been fully flushed, turn off the water and close both SERVICE STOPS.

**NOTE:** **OPEN** a diverter/wall valve to allow water to evaporate and prevent damage if the THERMOSTATIC VALVE will remain unused for an extended period of time.

# WATERWORKS INSTALLATION GUIDELINES

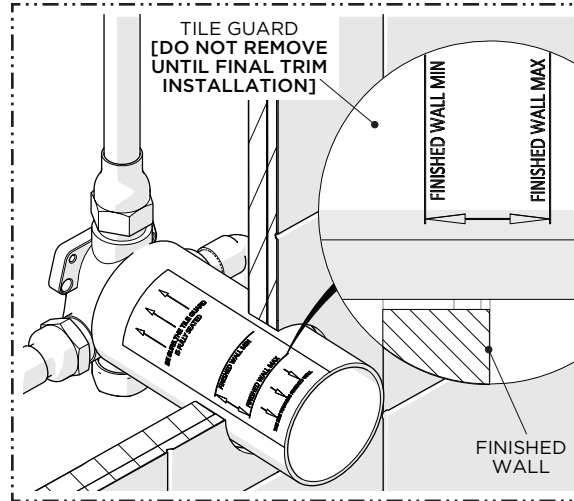
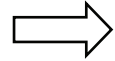


STYLE No. GUTH60, GU60TH  
Universal 1/2" Thermostatic Valve

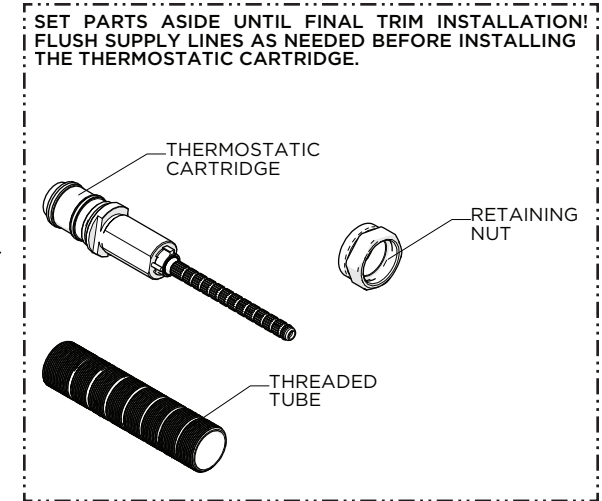
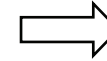


7. Following the label markings, firmly push the TILE GUARD onto the VALVE making sure it is FULLY seated.

**NOTE:** The TILE GUARD will ensure the exact opening to allow access to the SERVICE STOPS is created. Access is required for future servicing.



8. Do **NOT** remove the TILE GUARD until final trim installation to ensure the finished wall is within the **MAXIMUM** and **MINIMUM** markings on the TILE GUARD.



**SET PARTS ASIDE UNTIL FINAL TRIM INSTALLATION! FLUSH SUPPLY LINES AS NEEDED BEFORE INSTALLING THE THERMOSTATIC CARTRIDGE.**

## IMPORTANT

9. **SET ASIDE THE THERMOSTATIC CARTRIDGE, RETAINING NUT, AND THREADED TUBE UNTIL FINAL TRIM INSTALLATION MAKING SURE TO REPEAT THE FLUSHING PROCESS AS NEEDED BEFORE INSTALLING THE CARTRIDGE.**