

WATERWORKS

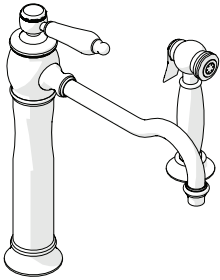
INSTALLATION GUIDELINES

STYLE No. JUKM09, JU09KM

Julia One Hole High Profile Kitchen Faucet with Metal Lever Handle and Spray

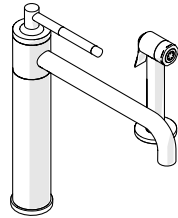
STYLE No. UNKM10

Universal Modern One Hole High Profile Kitchen Faucet, Metal Lever Handle and Spray



STYLE No. JUKM09, JU09KM

Julia One Hole High Profile Kitchen Faucet with Metal Lever Handle and Spray



STYLE No. UNKM10

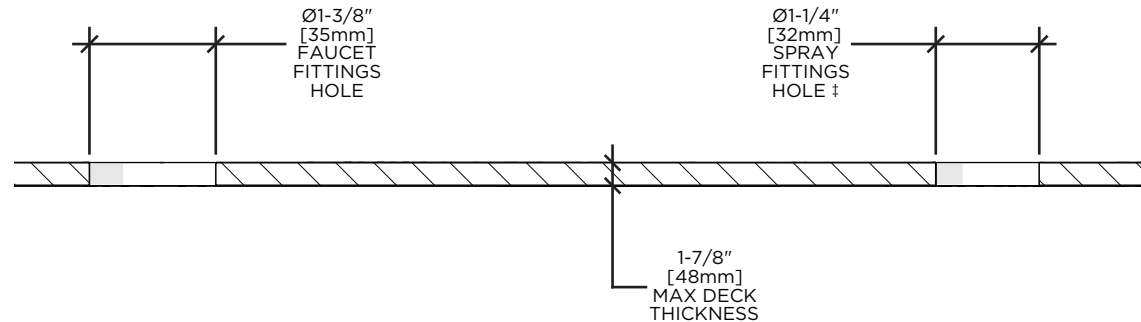
Universal Modern One Hole High Profile Kitchen Faucet, Metal Lever Handle and Spray

IMPORTANT:

- To ensure this product is installed properly, you must read and follow these guidelines.
- The owner/user of this product must keep this information for future reference.
- This product must be installed by a professional licensed contractor.
- Be sure your installation conforms to federal, state, and local codes. In the State of Massachusetts, all installations must comply with the rules and regulations set forth within 248 CMR.
- Inspect this product to ensure you have all the parts required for proper installation. Product is sold partially assembled but shown fully disassembled for illustrative and service purposes only.
- Use only a strap wrench or protected/smooth-jaw wrench on any finished surface.
- The use of certain plumber's putty may stain stone or tile surfaces.
- If further assistance is required, please contact Product Support at 1-800-927-2120 Monday through Friday, 8am - 6pm EST.
- Refer to the separate Service Parts Documents for available replacement parts.

TECHNICAL DETAILS:

DETAIL	SPECIFICATION
HANDLE TURN ANGLE	TILT AND TURN
INLET CONNECTION	3/8" COMPRESSION CONNECTION HOSES †
SPOUT REACH	9-5/16" [237mm]
SPOUT SWIVEL	YES
SPRAY HOSE LENGTH	59" [1.5m]
SPRAY INCLUDED IN UNIT	YES
WATER PRESSURE RANGE	85psi [6.0 bar] MAX - 20psi [1.5 bar] MIN
WATER PRESSURE RECOMMENDED	45psi [3.0 bar]



† Style No. JU09KM is provided with 2 BSPP ADAPTERS. ADAPTERS are packaged separately and assembly is required. Replacement ADAPTERS can be ordered separately:

- Universal 9/16-24 UNEF Male x 3/8 Female BSPP Adapter
Style No. UNUK08

‡ SPRAY can be installed on RIGHT or LEFT side of FAUCET.

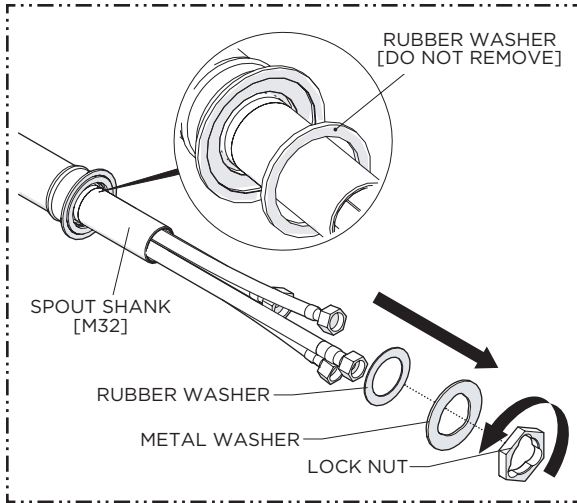
WATERWORKS INSTALLATION GUIDELINES

STYLE No. JUKM09, JU09KM

Julia One Hole High Profile Kitchen Faucet
with Metal Lever Handle and Spray

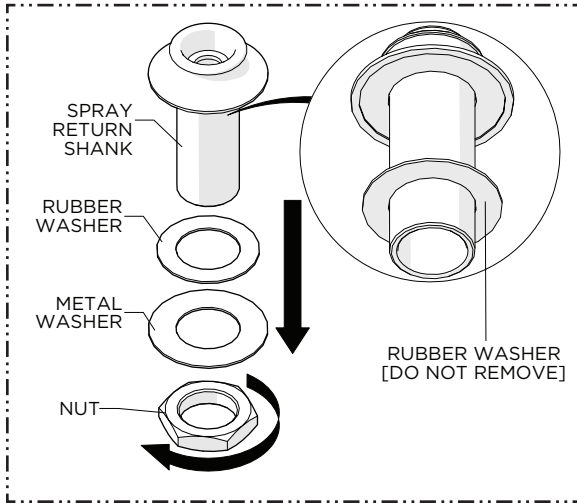
STYLE No. UNKM10

Universal Modern One Hole High Profile Kitchen
Faucet, Metal Lever Handle and Spray



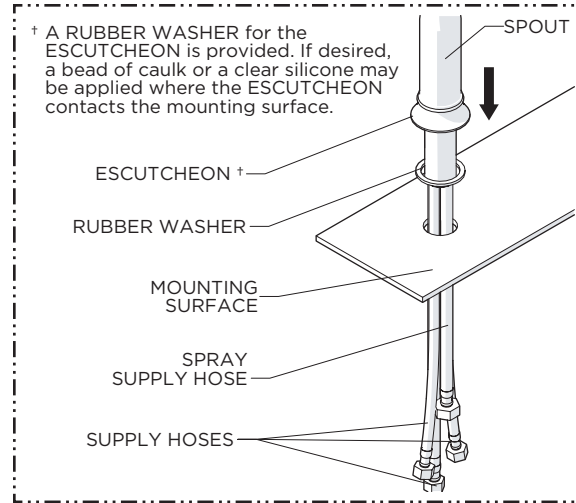
1. SPOUT: Unthread and remove the LOCK NUT from the SPOUT SHANK then remove the METAL WASHER and RUBBER WASHER.

NOTE: Do NOT remove the HOSES or RUBBER WASHER beneath the ESCUTCHEON.

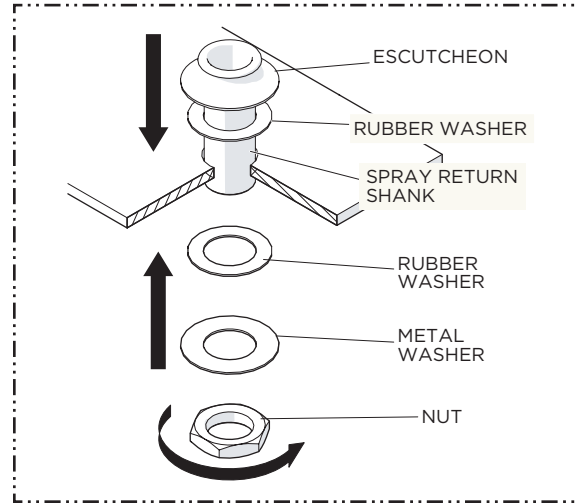


4. SPRAY RETURN: Unthread and remove the NUT, METAL WASHER, and RUBBER WASHER from the SPRAY RETURN SHANK.

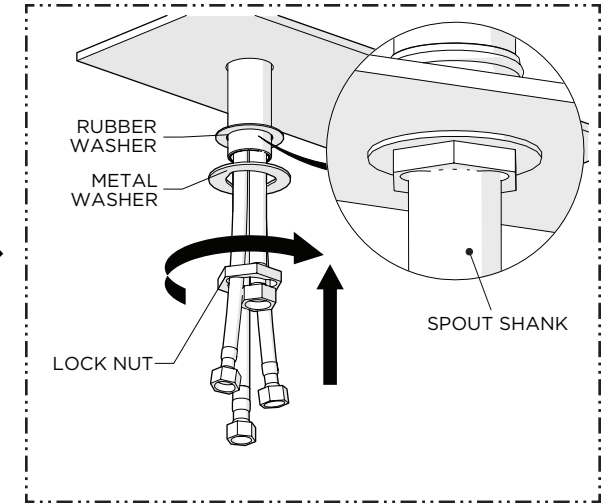
NOTE: Do NOT remove the RUBBER WASHER beneath the ESCUTCHEON.



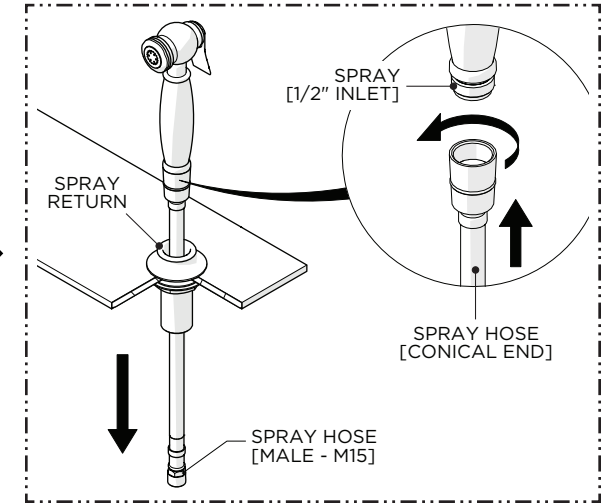
2. Insert the HOSES and SPOUT SHANK through the hole on the mounting surface making sure the RUBBER WASHER provided is beneath the ESCUTCHEON.



5. Insert the SPRAY RETURN SHANK through the hole on the MOUNTING SURFACE making sure the RUBBER WASHER provided is beneath the ESCUTCHEON, then re-install the RUBBER WASHER, METAL WASHER and securely tighten the NUT.



3. Slide the RUBBER WASHER, METAL WASHER, and LOCK NUT over the HOSES and SPOUT SHANK then thread and securely tighten the LOCK NUT onto the SHANK.



6. Thread and securely tighten the SPRAY HOSE onto the SPRAYER then, from the top, insert the HOSE into the SPRAY RETURN making sure the SPRAY can rest properly.

WATERWORKS

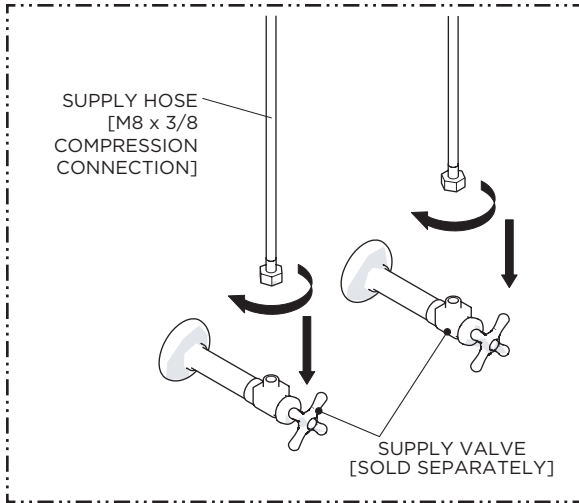
INSTALLATION GUIDELINES

STYLE No. JUKM09, JU09KM

Julia One Hole High Profile Kitchen Faucet with Metal Lever Handle and Spray

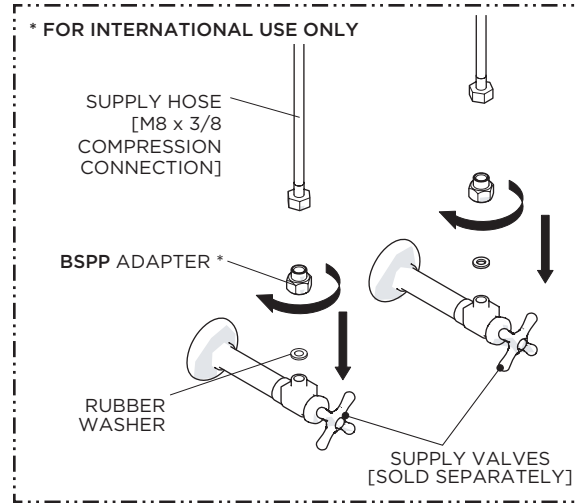
STYLE No. UNKM10

Universal Modern One Hole High Profile Kitchen Faucet, Metal Lever Handle and Spray



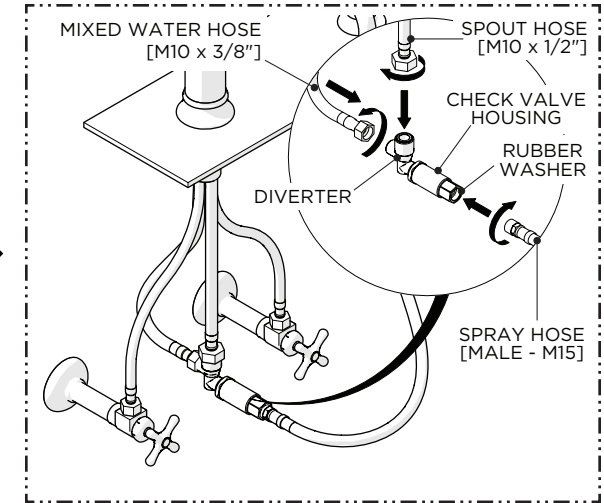
7. Connect the SUPPLY HOSES to the SUPPLY VALVES [sold separately].

NOTE: Ensure the HOSES are tight and are not kinked.

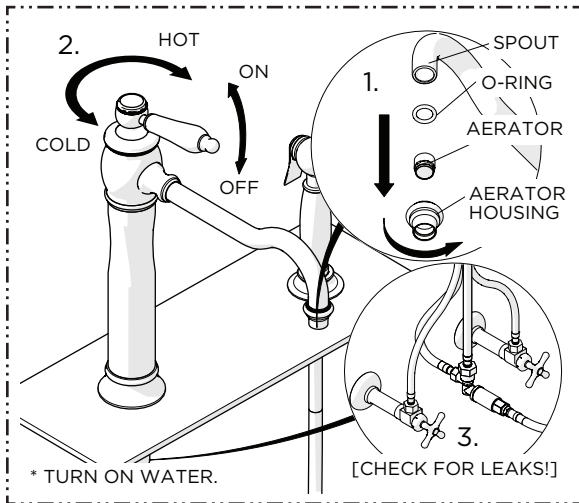


FOR INTERNATIONAL INSTALLATIONS ONLY

8. Connect the SUPPLY HOSES to the SUPPLY VALVES [sold separately] using the RUBBER WASHERS and BSPP ADAPTERS provided.

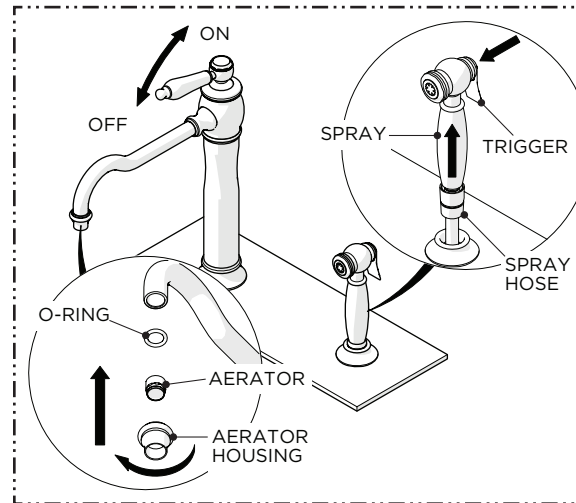


9. Thread the MIXED WATER and SPOUT HOSES to the DIVERTER TEE, then thread and securely tighten the SPRAY HOSE into the CHECK VALVE HOUSING.



10. Remove the AERATOR then turn on the water supply to flush out any debris in the supply lines and inspect all connections for leaks.

CAUTION: Make sure to flush out the supply lines prior to operating the SPRAY.



11. Re-install the AERATOR then operate the SPOUT and SPRAY to ensure they operate and function properly.

WATERWORKS

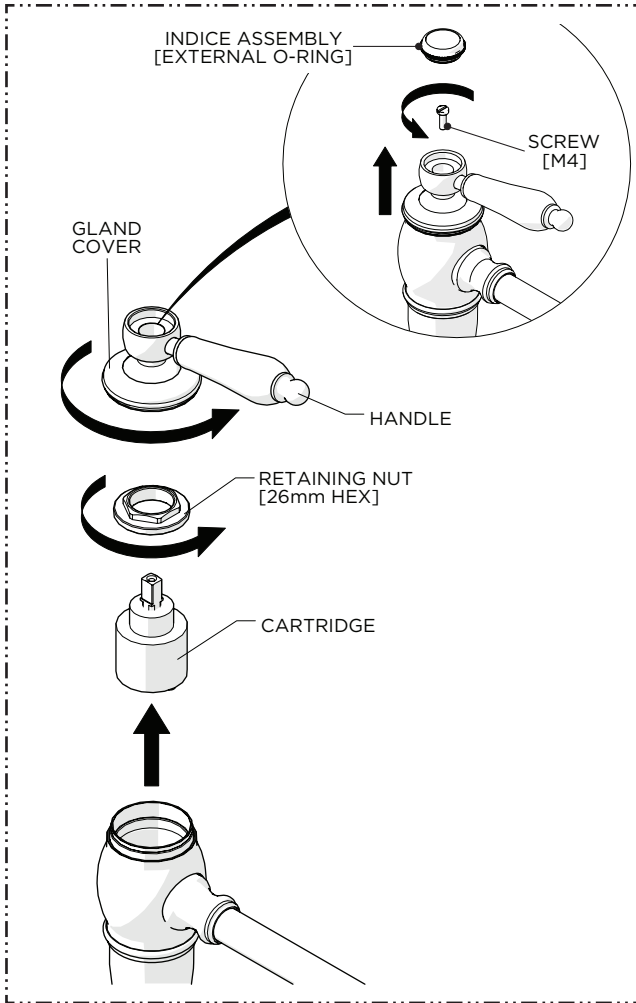
SERVICE GUIDELINES

STYLE No. JUKM09, JU09KM

Julia One Hole High Profile Kitchen Faucet with Metal Lever Handle and Spray

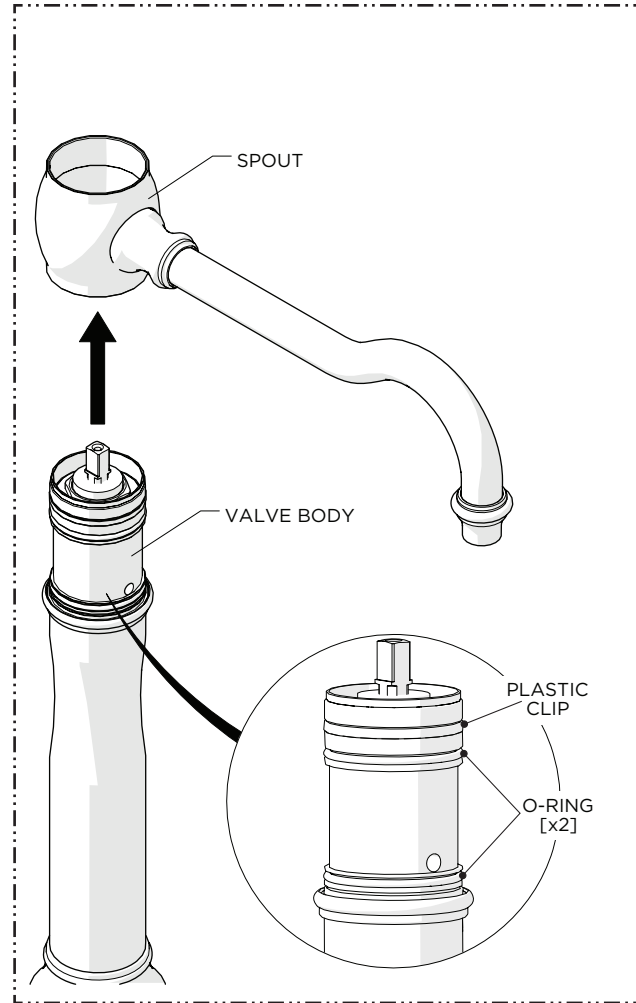
STYLE No. UNKM10

Universal Modern One Hole High Profile Kitchen Faucet, Metal Lever Handle and Spray



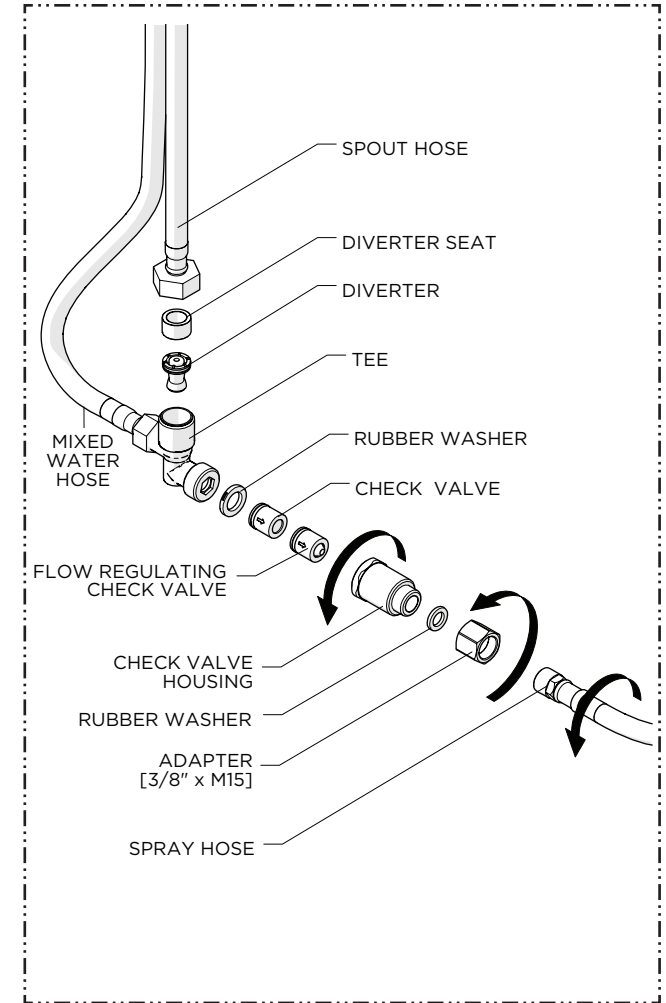
SERVICING THE CARTRIDGE:

1. Remove the INDICE ASSEMBLY to expose the SCREW then unthread the SCREW and GLAND COVER to remove the HANDLE.
2. Unthread and remove the RETAINING NUT then remove the CARTRIDGE.



SERVICING THE SPOUT:

1. Remove the HANDLE as previously shown then remove the SPOUT to expose the O-RINGS and PLASTIC CLIP.



SERVICING THE DIVERTER TEE:

1. Unthread the SPRAY HOSE from the CHECK VALVE HOUSING. Then unthread and remove the HOUSING from the TEE to remove the CHECK VALVES. Replace with new CHECK VALVES.

NOTE: Make sure the FLOW DIRECTION ARROWS are in same direction.

2. Unthread the SPOUT HOSE from the TEE to remove the DIVERTER SEAT and DIVERTER.

WATERWORKS

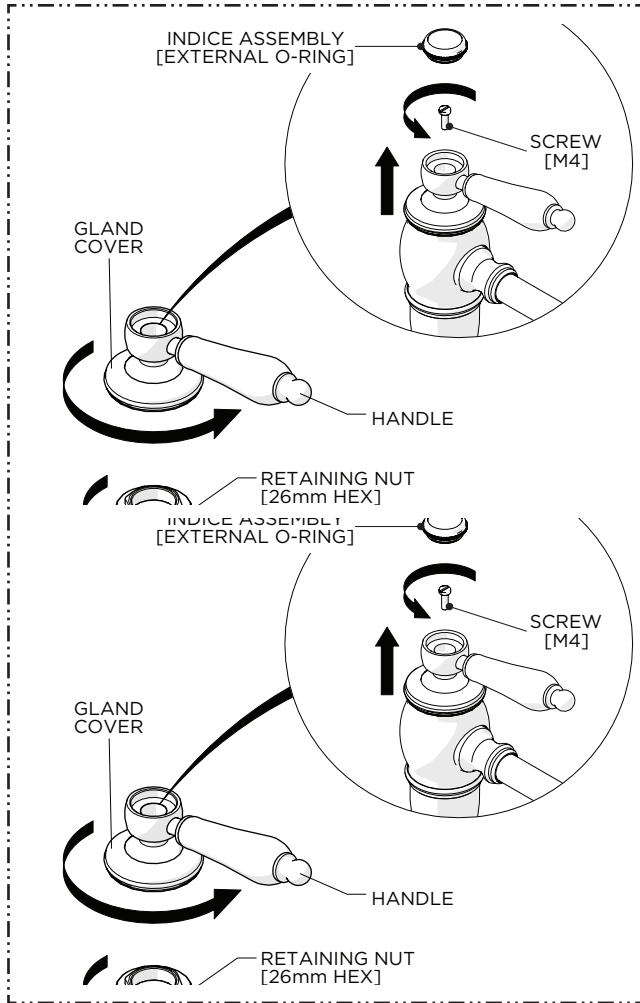
SERVICE GUIDELINES

STYLE No. JUKM09, JU09KM

Julia One Hole High Profile Kitchen Faucet with Metal Lever Handle and Spray

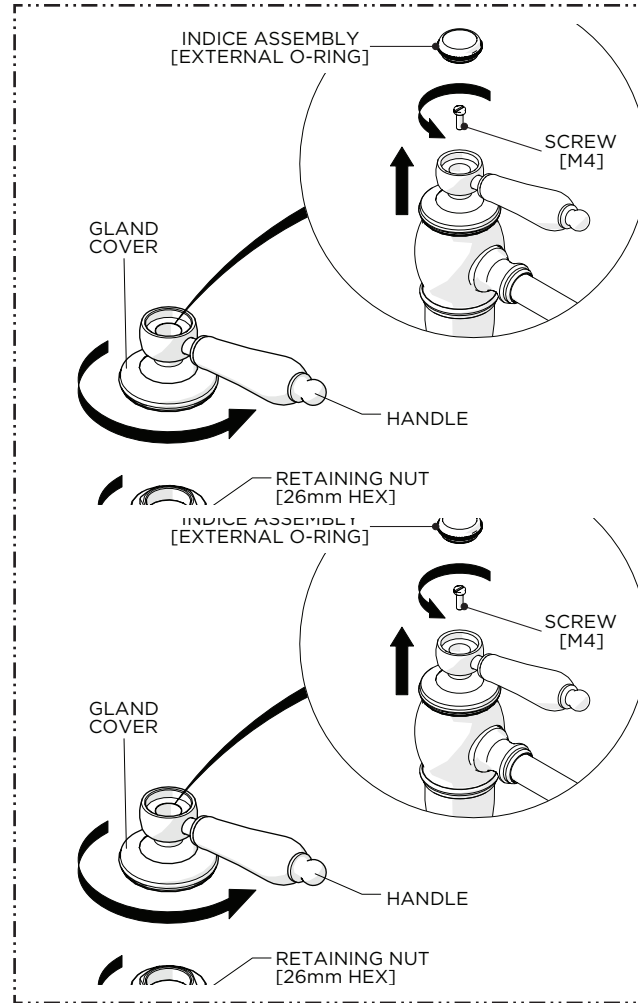
STYLE No. UNKM10

Universal Modern One Hole High Profile Kitchen Faucet, Metal Lever Handle and Spray



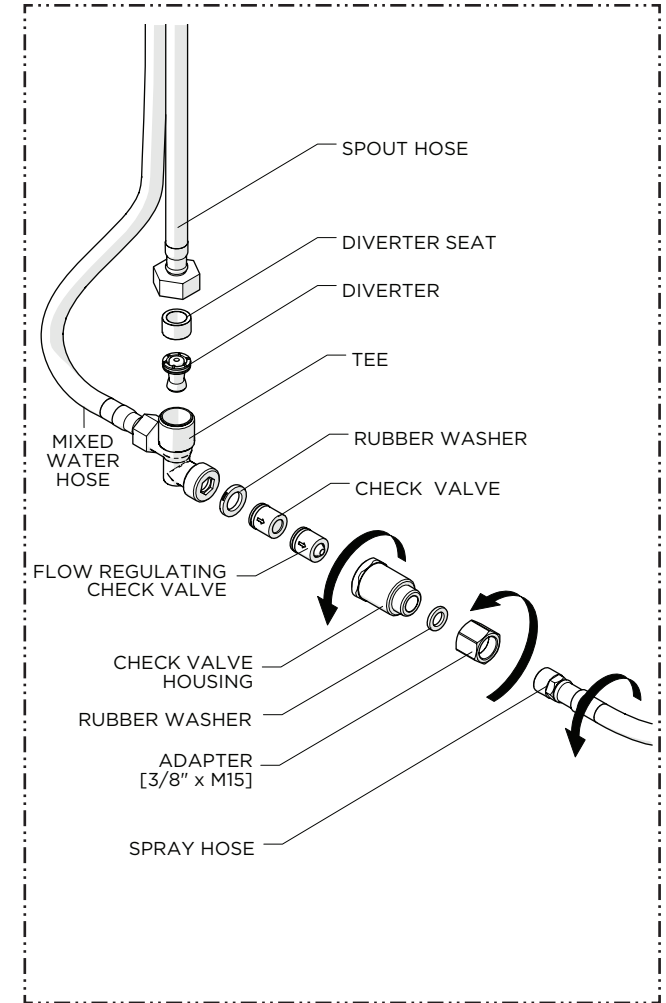
SERVICING THE CARTRIDGE:

1. Remove the INDICE ASSEMBLY to expose the SCREW then unthread the SCREW and GLAND COVER to remove the HANDLE.
2. Unthread and remove the RETAINING NUT then remove the CARTRIDGE.



SERVICING THE SPOUT:

1. Remove the HANDLE as previously shown then remove the SPOUT to expose the O-RINGS and PLASTIC CLIP.



SERVICING THE DIVERTER TEE:

1. Unthread the SPRAY HOSE from the CHECK VALVE HOUSING. Then unthread and remove the HOUSING from the TEE to remove the CHECK VALVES. Replace with new CHECK VALVES.

NOTE: Make sure the FLOW DIRECTION ARROWS are in same direction.

2. Unthread the SPOUT HOSE from the TEE to remove the DIVERTER SEAT and DIVERTER.