

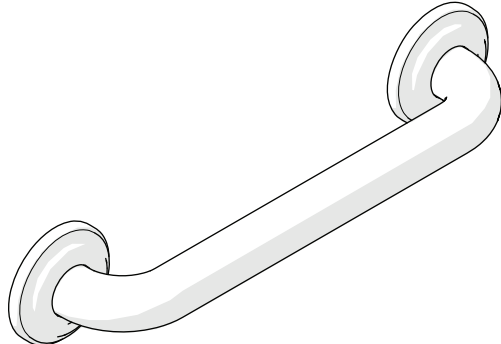
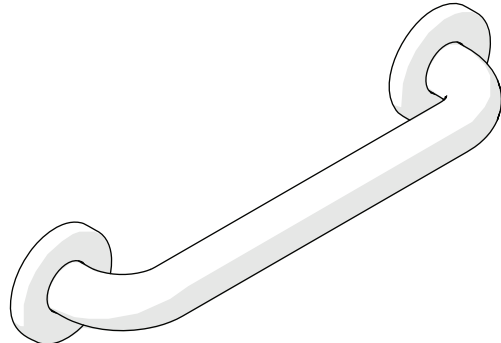
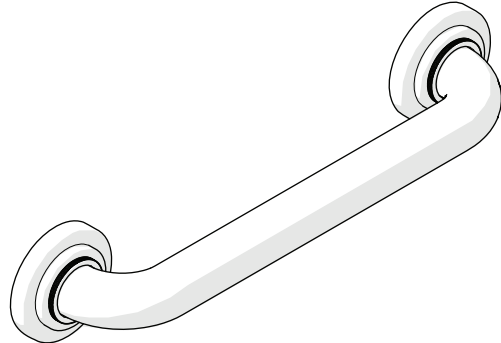
# WATERWORKS

## INSTALLATION GUIDELINES

STYLE No. EGB112, EGB118, EGB124  
Essentials Classic Grab Bar

STYLE No. EGB212, EGB218, EGB224  
Essentials Modern Grab Bar

STYLE No. EGB312, EGB318, EGB324  
Essentials Transitional Grab Bar

	STYLE	DESCRIPTION
	EGB112 [SHOWN]	Essentials Classic 12" Grab Bar
	EGB118	Essentials Classic 18" Grab Bar
	EGB124	Essentials Classic 24" Grab Bar
	EGB212 [SHOWN]	Essentials Modern 12" Grab Bar
	EGB218	Essentials Modern 18" Grab Bar
	EGB224	Essentials Modern 24" Grab Bar
	EGB312 [SHOWN]	Essentials Transitional 12" Grab Bar
	EGB318	Essentials Transitional 18" Grab Bar
	EGB324	Essentials Transitional 24" Grab Bar

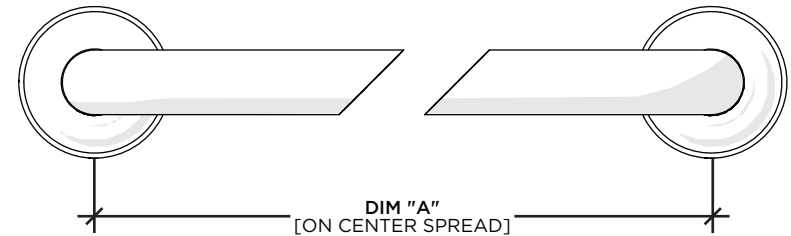
### IMPORTANT:

- To ensure this product is installed properly, you must read and follow these guidelines.
- The owner/user of this product must keep this information for future reference.
- **CAUTION: BLOCKING IN THE WALL TO ADEQUATELY SECURE THE GRAB BAR IS MANDATORY! FAILURE TO ADEQUATELY SECURE THE GRAB BAR TO BLOCKING OR WALL STUD MAY RESULT IN SERIOUS INJURY!**
- This product must be installed by a professional licensed contractor.
- Inspect this product to ensure you have all the parts required for proper installation.
- If further assistance is required, please contact Product Support at 1-800-927-2120 Monday through Friday, 8am - 6pm EST.

### TECHNICAL DETAILS:

DETAIL	SPECIFICATION
PRIMARY MATERIAL	BRASS
TUBE DIAMETER	1-1/4" [32mm]

### ON-CENTER SPREAD:



STYLE	DIM "A"
EGB112, EGB212, EGB312	12" [305mm]
EGB118, EGB218, EGB318	18" [457mm]
EGB124, EGB224, EGB324	24" [610mm]

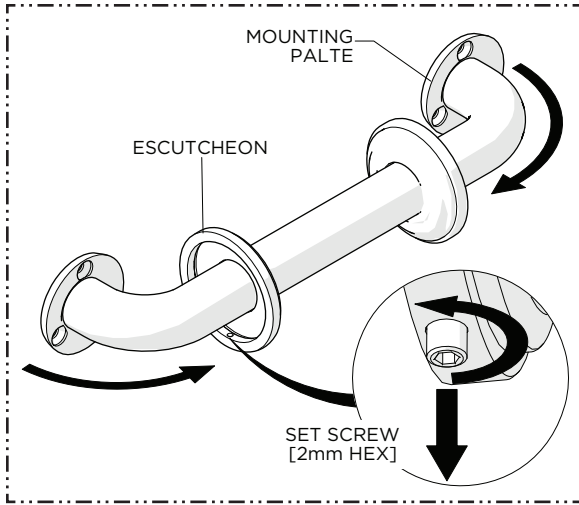
# WATERWORKS

## INSTALLATION GUIDELINES

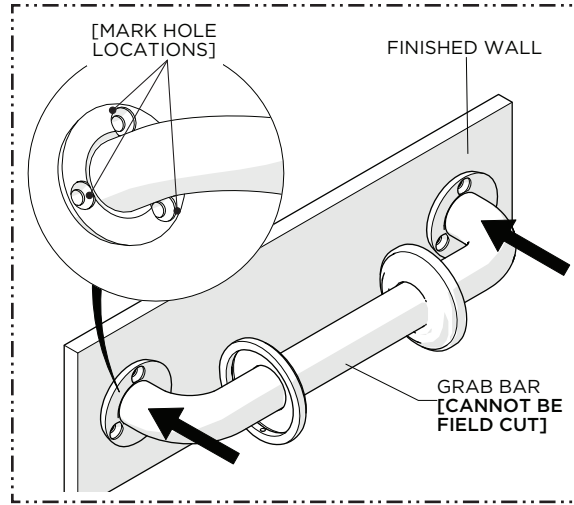
STYLE No. EGB112, EGB118, EGB124  
Essentials Classic Grab Bar

STYLE No. EGB212, EGB218, EGB224  
Essentials Modern Grab Bar

STYLE No. EGB312, EGB318, EGB324  
Essentials Transitional Grab Bar

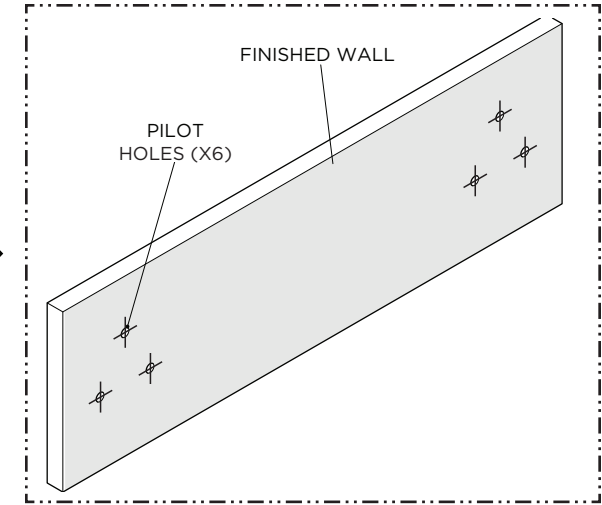


1. Loosen, but do **NOT** remove, the SET SCREWS on the ESCUTCHEONS then carefully slide the ESCUTCHEONS up the GRAB BAR to expose the MOUNTING PLATES.

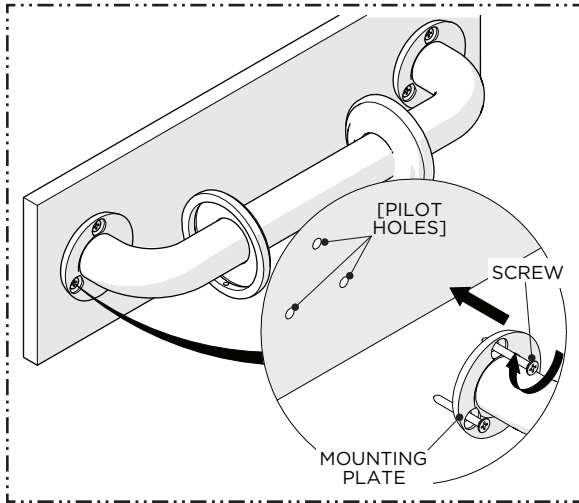


2. Dry-fit the GRAB BAR to the finished wall, making sure it is level, plumb, or at the desired orientation, and mark the hole locations.

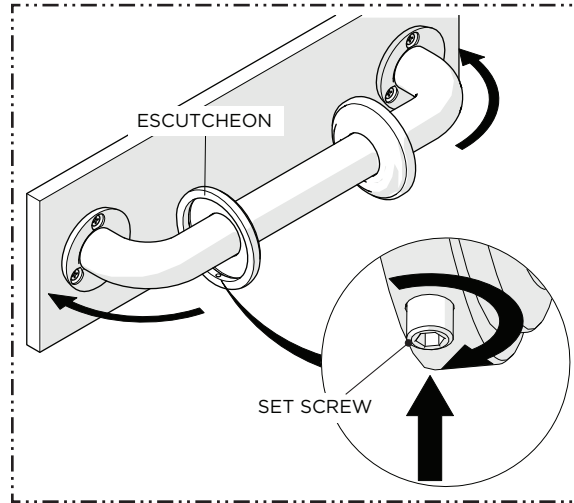
**CAUTION:** The MOUNTING PLATES must be positioned over blocking or stud material.



3. Using the previous marks as a reference, drill pilot holes into the blocking or stud material to accommodate the SCREWS provided.



4. Secure the GRAB BAR to the wall using the SCREWS provided.



5. Carefully slide the ESCUTCHEONS down the GRAB BAR and over the MOUNTING PLATES then thread and securely tighten the SET SCREWS.