

INSTALLATION GUIDELINES

	STYLE	DESCRIPTION
	RRLS20	Riverun Gooseneck Lavatory Faucet with Two-Tone Tri-Spoke Handles
	RRLS21 [SHOWN]	Riverun Gooseneck Lavatory Faucet with Tri-Spoke Handles
	RRLS30	Riverun Gooseneck Lavatory Faucet with Two-Tone Lever Handles
	RRLS31 [SHOWN]	Riverun Gooseneck Lavatory Faucet with Lever Handles

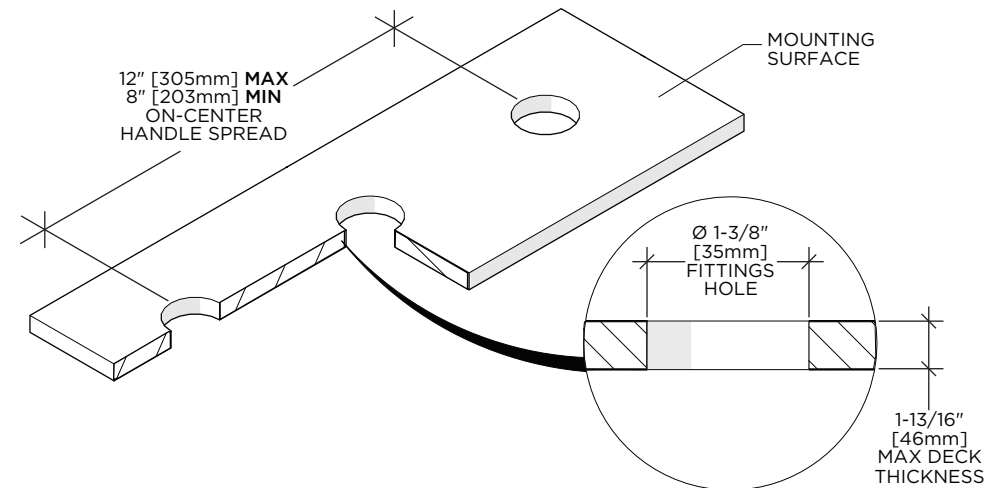
IMPORTANT:

- To ensure this product is installed properly, you must read and follow these guidelines.
- The owner/user of this product must keep this information for future reference.
- This product must be installed by a professional licensed contractor.
- Be sure your installation conforms to federal, state, and local codes. In the State of Massachusetts, all installations must comply with the rules and regulations set forth within 248 CMR.
- Inspect this product to ensure you have all the parts required for proper installation.
- Product is sold partially assembled but shown fully disassembled for illustrative and service purposes only.
- Use only a strap wrench or protected/smooth-jaw wrench on ANY finished surface.
- **CAUTION:** Flushing the SUPPLY VALVES (sold separately) prior to installing the LAVAOTRY FAUCET is recommended. Flushing can prevent damage to the CARTRIDGES and other internal components.

- The use of certain plumber's putty may stain stone or tile surfaces.
- If further assistance is required, please contact Product Support at 1-800-927-2120 Monday through Friday, 8am - 6pm EST.
- Refer to the separate Service Parts Document for available replacement parts.

TECHNICAL DETAILS:

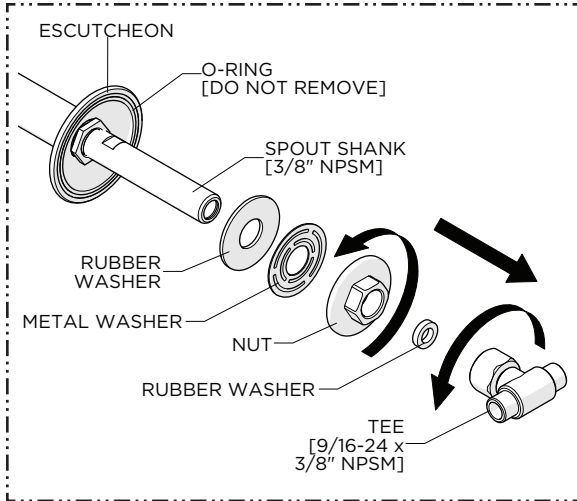
DETAIL	SPECIFICATION
DRAIN DEPTH	2" [51mm] MAX 3/8" [10mm] MIN
DRAIN HOLE DIAMETER	1-1/2" [38mm]
DRAIN STYLE	PUSH-TOUCH
HANDLE TURN ANGLE	QUARTER TURN
INLET CONNECTION	1/2" MALE WITH SUPPLY NUT
SPOUT REACH	6-1/16" [154mm]
WATER PRESSURE	85psi [6.0 bar] MAX 20psi [1.5 bar] MIN
WATER PRESSURE RECOMMENDED	45psi [3.0 bar]



WATERWORKS

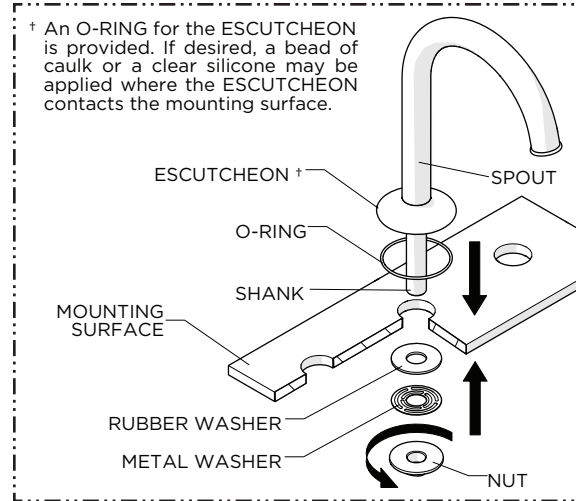
INSTALLATION GUIDELINES

STYLE No. RRLS20, RRLS21, RRLS30, RRLS31
Riverun Gooseneck Lavatory Faucet

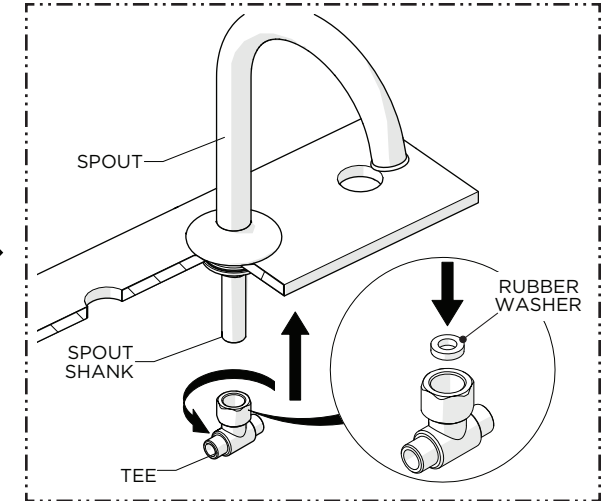


1. Remove the TEE, NUT, METAL WASHER, and RUBBER WASHER from the SPOUT SHANK.

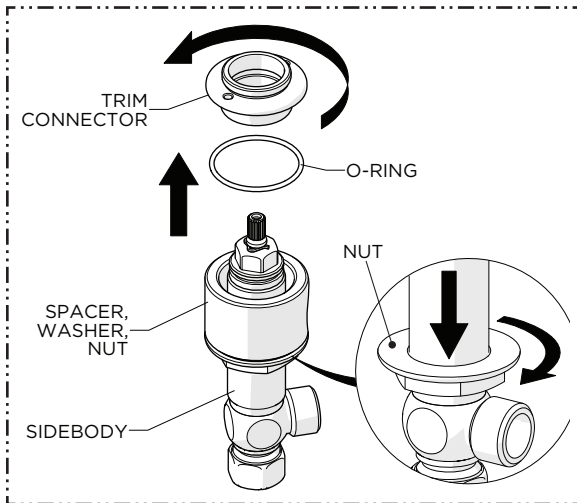
NOTE: Do NOT remove the O-RING beneath the ESCUTCHEON or discard the RUBBER WASHER provided with the TEE.



2. Insert the SHANK through the hole on the mounting surface making sure the O-RING provided is beneath the ESCUTCHEON then re-attach the RUBBER and METAL WASHERS and securely tighten the NUT.

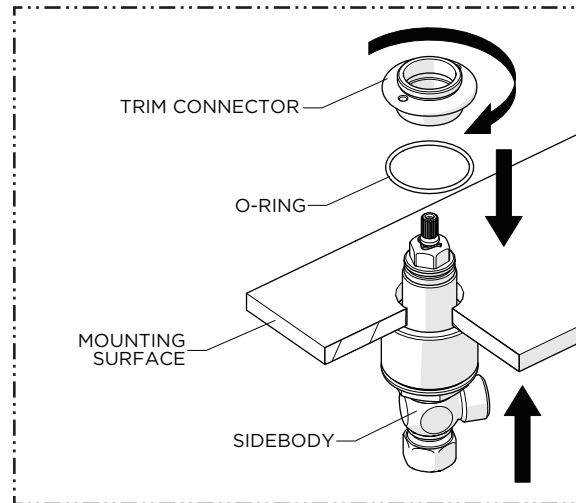


3. Thread and securely tighten the TEE onto the SHANK making sure to use the RUBBER WASHER provided.

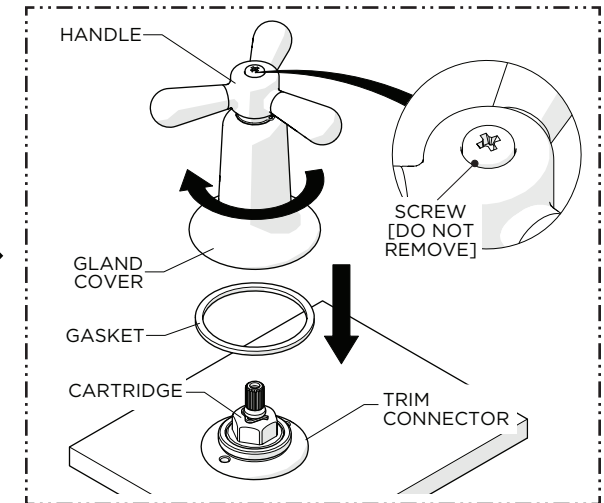


4. Unthread and remove the TRIM CONNECTOR with the O-RING beneath it then fully thread the NUT down the SIDEBODY.

NOTE: Do NOT remove the lower deck WASHER and SPACER.



5. Using the O-RING provided, thread the TRIM CONNECTOR back onto the SIDEBODY until it stops then let it rest on the mounting surface.

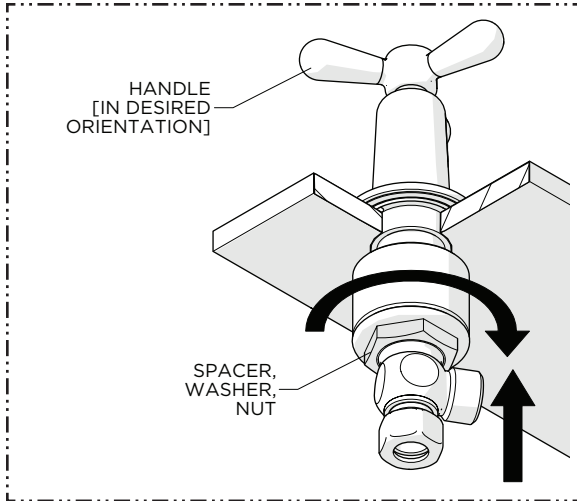


6. Using the GASKET provided, place the HANDLE over the CARTRIDGE STEM then thread and securely tighten the GLAND COVER onto the TRIM CONNECTOR.

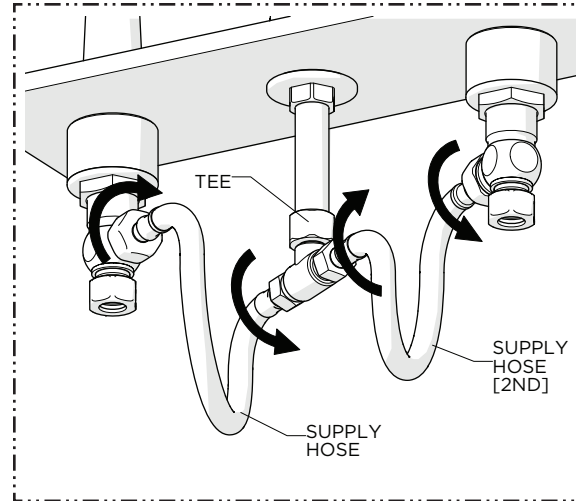
WATERWORKS

INSTALLATION GUIDELINES

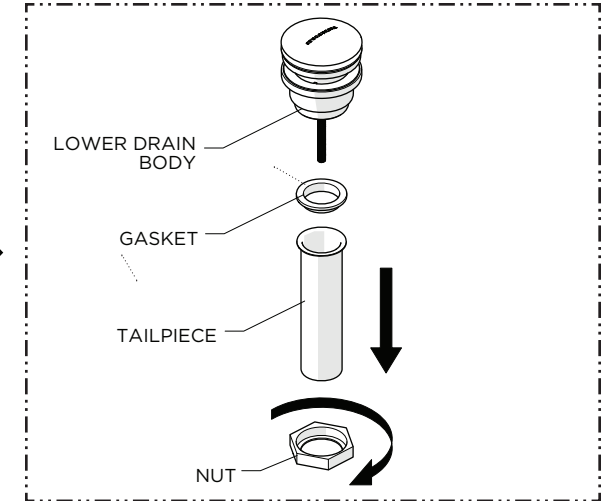
STYLE No. RRLS20, RRLS21, RRLS30, RRLS31
Riverun Gooseneck Lavatory Faucet



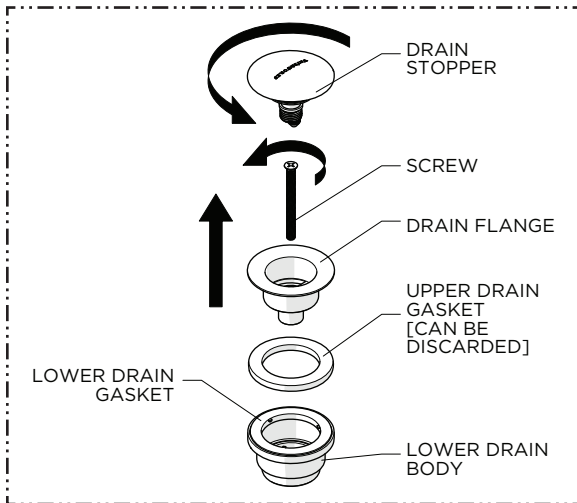
7. Ensure the HANDLE is in the desired orientation then thread and securely tighten the NUT against the underside of the mounting surface.
- REPEAT STEPS 4 THROUGH 7 TO INSTALL THE SECOND (2ND) HANDLE.



8. Connect the SIDEBODIES to the TEE using the SUPPLY HOSES provided. Securely tighten the HOSES and ensure they are not pinched/kinked.

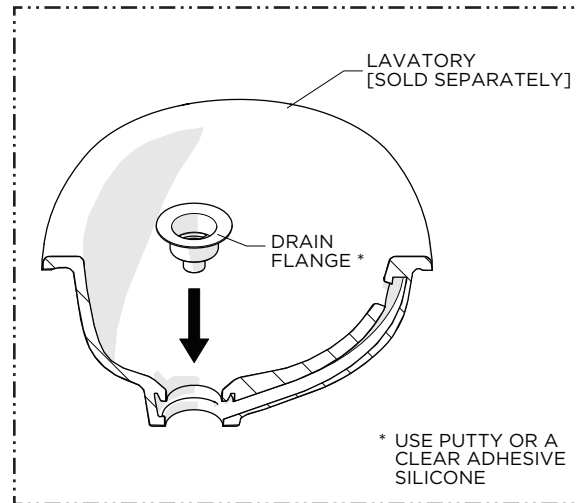


9. Unthread and remove the NUT, TAILPIECE, and GASKET from the LOWER DRAIN BODY.

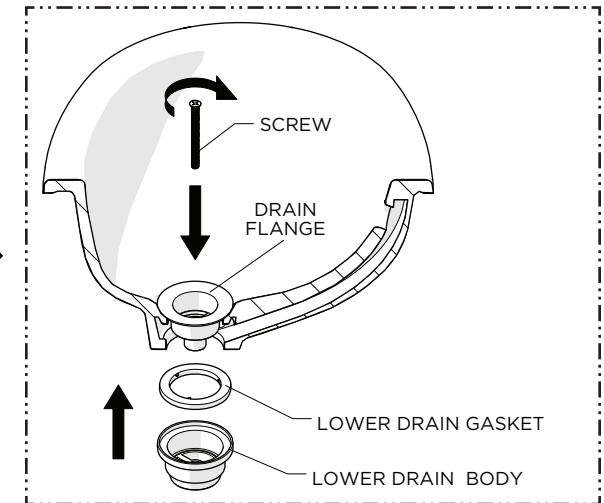


10. Remove the DRAIN STOPPER from the DRAIN FLANGE then unthread the SCREW from the LOWER DRAIN BODY.

CAUTION: Do NOT remove or discard the LOWER DRAIN GASKET.



11. Set the DRAIN FLANGE into the lavatory (sold separately) using putty or a clear silicone.

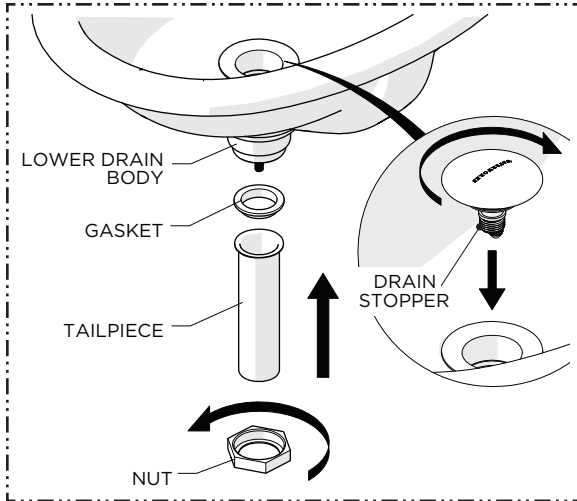


12. Insert the SCREW provided into the FLANGE then thread and securely tighten the SCREW into the LOWER DRAIN BODY making sure the LOWER DRAIN GASKET makes a full seal on the underside of the LAVATORY.

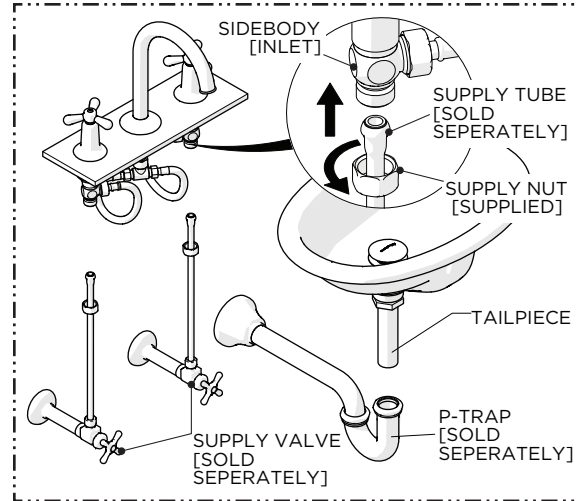
WATERWORKS

INSTALLATION GUIDELINES

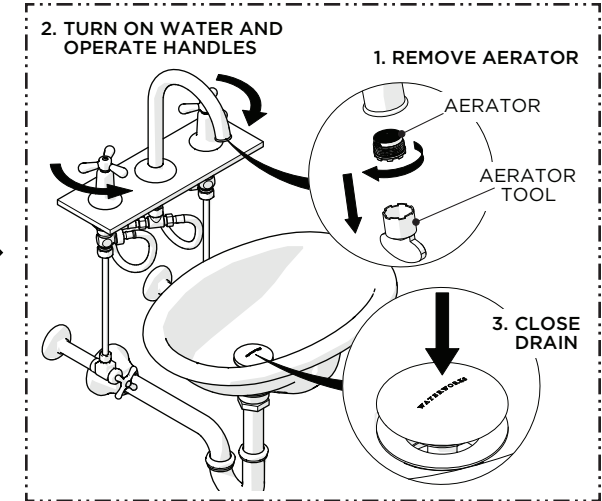
STYLE No. RRLS20, RRLS21, RRLS30, RRLS31
Riverun Gooseneck Lavatory Faucet



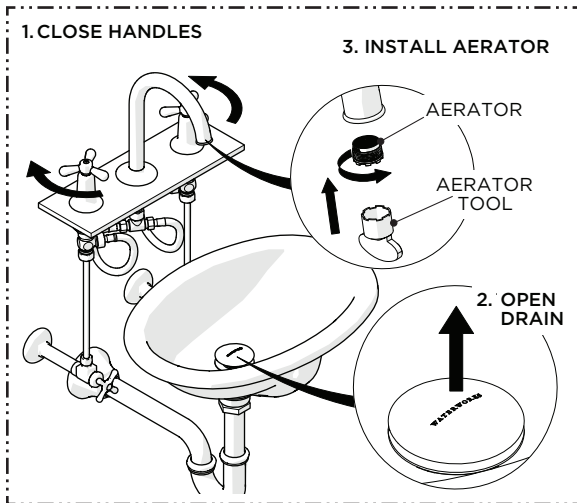
13. Re-install the DRAIN STOPPER and TAILPIECE using the GASKET and NUT provided.



14. Make final P-TRAP (sold separately) and SUPPLY VALVE (sold separately) connections.



15. Remove the AERATOR, turn on the water to flush out the supply lines, inspect all connections for leaks and close the DRAIN to ensure it functions properly.



16. Close the HANDLES, open the DRAIN, and re-install the AERATOR.