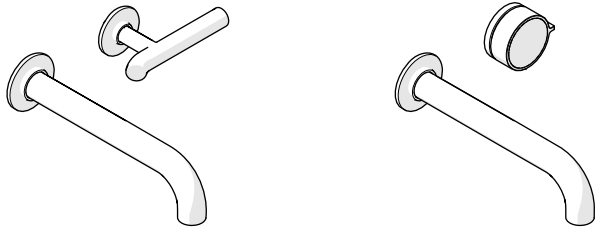


INSTALLATION GUIDELINES

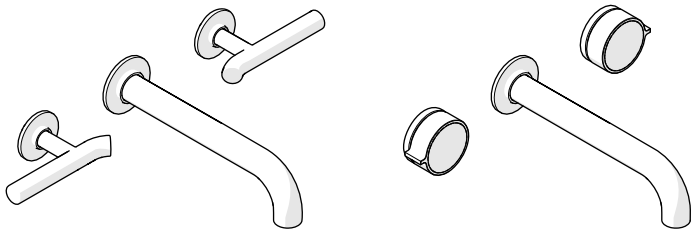
WALL MOUNTED LAVATORY FAUCETS

BOND WALL MOUNTED LAVATORY FAUCET WITH SINGLE LEVER OR KNOB HANDLE



STYLES		
BLS310 [SHOWN]	BLS320	BLS32A
BLS32B	BLS32C	BLS32D
BLS32E	BLS32S	
BLS330 [SHOWN]	BLS33S	BLS34A
BLS34B	BLS34D	BLS35C

BOND WALL MOUNTED LAVATORY FAUCET WITH LEVER AND KNOB HANDLES



STYLES		
BLS710 [SHOWN]	BLS720	BLS72A
BLS72B	BLS72C	BLS72D
BLS72E	BLS72S	
BLS730 [SHOWN]	BLS73S	BLS74A
BLS74B	BLS74D	BLS75C

IMPORTANT:

- To ensure this product is installed properly, you must read and follow these guidelines.
- The owner/user of this product must keep this information for future reference.
- This product must be installed by a professional licensed contractor and must be on-site prior to rough-in. This allows the installer to visualize the installation.
- Be sure your installation conforms to all federal, state, and local codes. In the State of Massachusetts, all installations must comply with the rules and regulations set forth within 248 CMR.
- This product is sold partially assembled but shown fully disassembled for illustrative and service purposes only. Inspect this product to ensure you have all the parts required for proper installation.
- Check COUNTERTOP and SINK measurements to ensure the FAUCET projects far enough over the SINK.
- Use only a strap wrench or protected/smooth-jaw wrench on any finished surface.
- **CAUTION:** Flushing the SUPPLY VALVES (sold separately) prior to installing the LAVATORY FAUCET is recommended. Flushing can prevent damage to the CARTRIDGES and other internal components.
- The use of certain plumber's putty may stain stone or tile surfaces.
- If further assistance is required, please contact Product Support at 1-800-927-2120 Monday through Friday, 8am - 6pm EST.
- Refer to the separate Service Parts Documents for available replacement parts.

REQUIRED PLUMBING DETAILS:

- ViaWorks 1/2" Lavatory Wall Mounted Valve for Single Handle
STYLE No. GULV29
- ViaWorks 1/2" Lavatory Wall Mounted Valve (Used with Lever Handle Lavatory Faucets)
STYLE No. GULV25, GU25LV⁺

TECHNICAL DETAILS:

DETAIL	SPECIFICATION
DRAIN DEPTH MAXIMUM	2" [51mm] MAXIMUM
DRAIN DEPTH MINIMUM	3/8" [10mm] MINIMUM
DRAIN HOLE DIAMETER	Ø1-3/4" [44mm]
DRAIN STYLE	PUSH-TOUCH
INLET CONNECTION	1/2" FEMALE NPT ⁺
SPOUT REACH	8-1/4" [210mm]
WATER PRESSURE MAXIMUM	85psi [6.0 bar]
WATER PRESSURE MINIMUM	20psi [1.5 bar]
WATER PRESSURE RECOMMENDED	45psi [3.0 bar]

⁺ For **INTERNATIONAL USE ONLY**, a 1/2" NPT MALE x 1/2" MALE BSPP ADAPTER is provided. The BSPP end of the ADAPTER may be field cut.

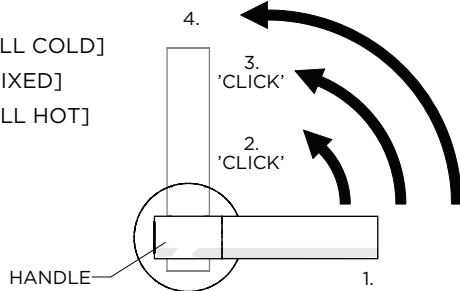
INSTALLATION GUIDELINES

WALL MOUNTED LAVATORY FAUCET WITH GULV29

HANDLE OPERATION:

- The GULV29 [SOLD SEPARATELY] is equipped with a PROGRESSIVE MIXING CARTRIDGE which incorporates tactile feedback.
 - The user will feel slight haptic feedback as they operate the HANDLE.
 - This feedback indicates when the VALVE is at full cold and warm water temperatures.
- The HANDLE rotates a 1/4 turn counterclockwise through cold, warm, and hot water temperatures as shown below.

1. OFF
2. 1/8 TURN [FULL COLD]
3. 3/16 TURN [MIXED]
4. 1/4 TURN [FULL HOT]

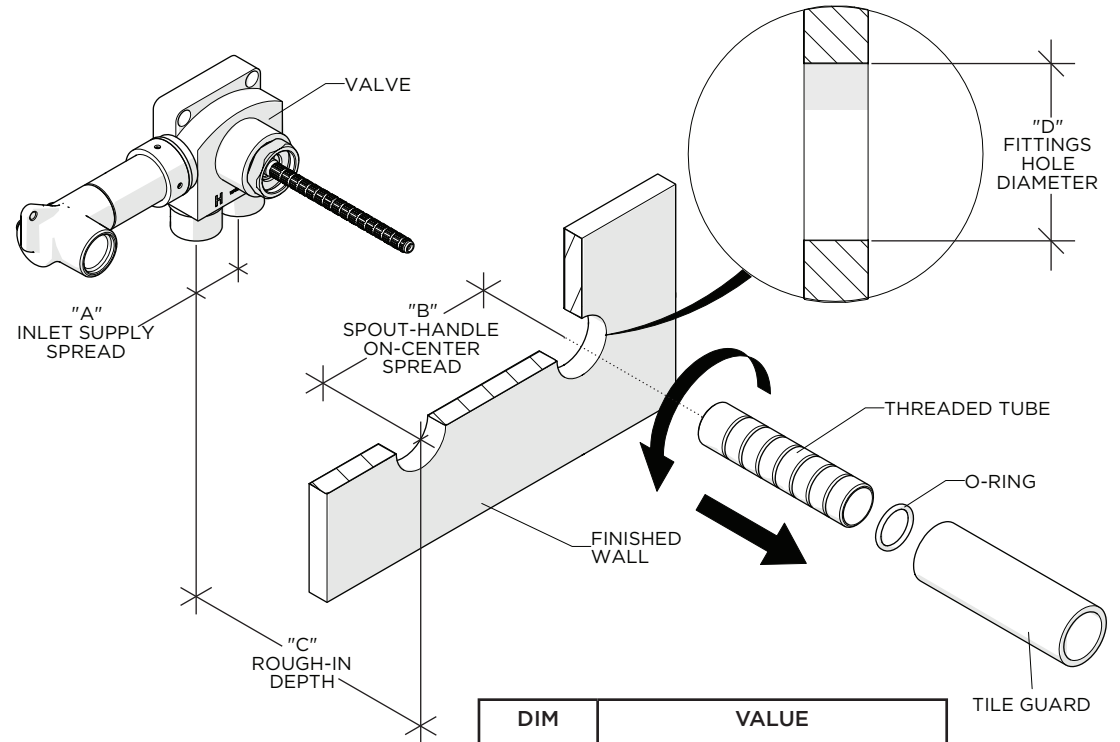


ROUGH-IN AND VALVE PREPARATION:

- The GULV29 can be roughed-in horizontally with the HANDLE on the right or left side and vertically with the HANDLE above.

OPTION	VALVE ORIENTATION	SPOUT POSITION AND HANDLE OPERATION
1 [RECOMMENDED]		
2		
3		

- **CAUTION: DO NOT APPLY DIRECT HEAT TO THE VALVE!**
- **WARNING: The inlet supply spread of the GULV29 is NOT ADJUSTABLE!**
- Run well supported 1/2" hot and cold supply lines.
- **ROUGH-IN DEPTH**
 - The rough-in depth is measured from the centerline of the inlets to the surface of the finished wall and must be between 5-3/8" [137mm] **MAXIMUM** and 2-3/4" [70mm] **MINIMUM**.
- **ROUGH-IN HEIGHT**
 - The rough-in height must allow for a **MINIMUM** of 1-1/2" [38mm] air gap between the end of the SPOUT and the flood level rim of the SINK or FIXTURE the SPOUT is being installed over.
 - The rough-in height must provide the HANDLES enough clearance to fully open. This will vary depending on the TRIM being used and the VALVE orientation.



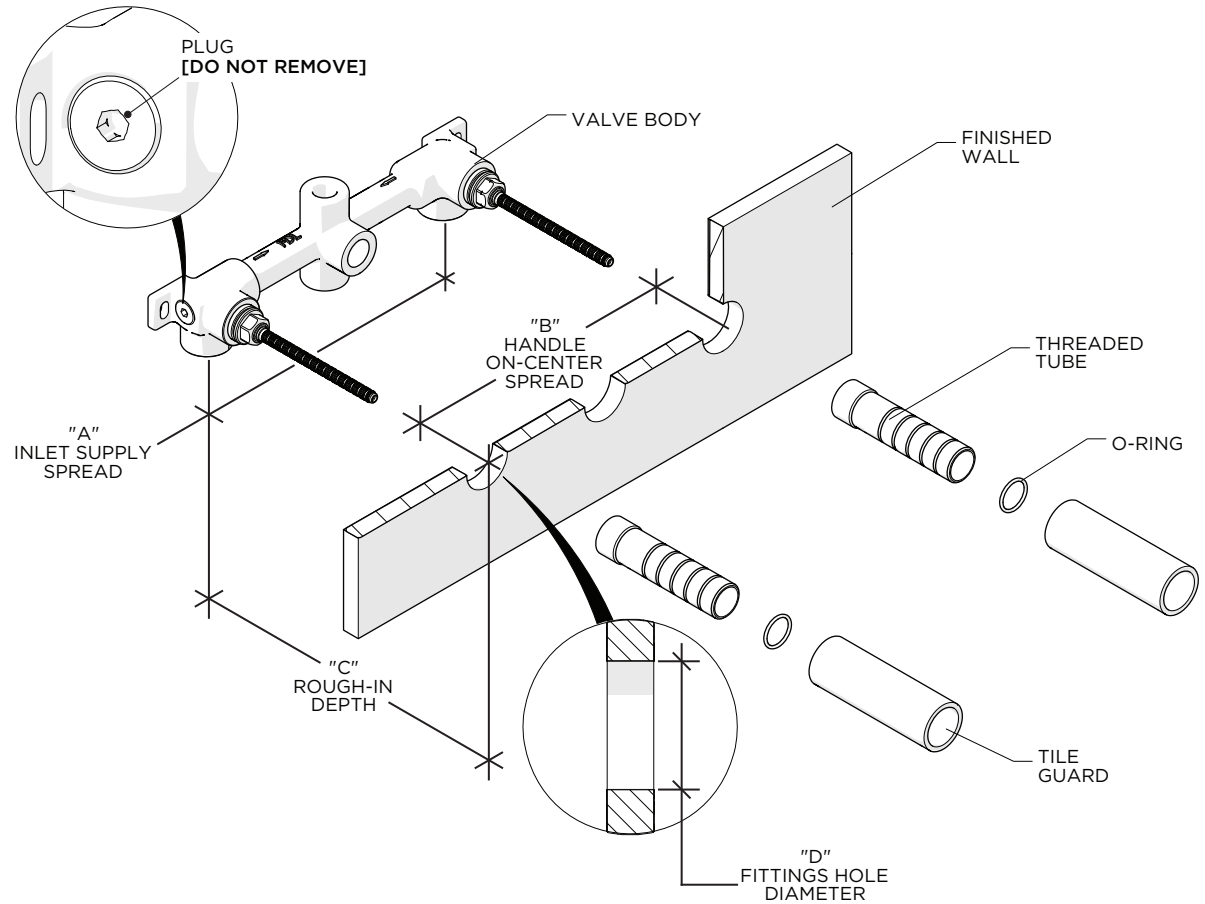
DIM	VALUE
A	1-3/16" [30mm] [NOT ADJUSTABLE]
B	4-1/2" [114mm] [NOT ADJUSTABLE]
C	5-3/8" [137mm] MAXIMUM 2-3/4" [70mm] MINIMUM
D	Ø1-3/8" [35mm]

INSTALLATION GUIDELINES

WALL MOUNTED LAVATORY FAUCET WITH GULV25

ROUGH-IN AND VALVE PREPARATION:

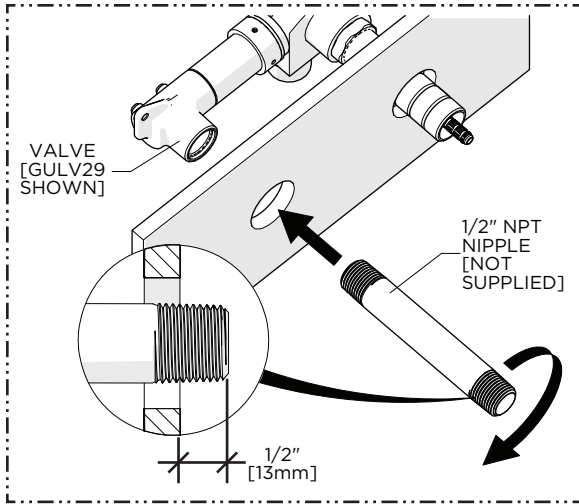
- **CAUTION: DO NOT APPLY DIRECT HEAT TO THE VALVE!**
- **WARNING:** The inlet supply spread of the GULV25 is **NOT ADJUSTABLE!**
- Run well supported 1/2" hot and cold supply lines.
- **ROUGH-IN DEPTH**
 - The rough-in depth is measured from the centerline of the inlets to the surface of the finished wall and must be between 5-1/2" [140mm] **MAXIMUM** and 3" [76mm] **MINIMUM**.
- **ROUGH-IN HEIGHT**
 - The rough-in height must allow for a **MINIMUM** of 1-1/2" [38mm] air gap between the end of the SPOUT and the flood level rim of the SINK or FIXTURE the SPOUT is being installed over.
 - The rough-in height must provide the **HANDLES** enough clearance to fully open. This will vary depending on the TRIM being used.



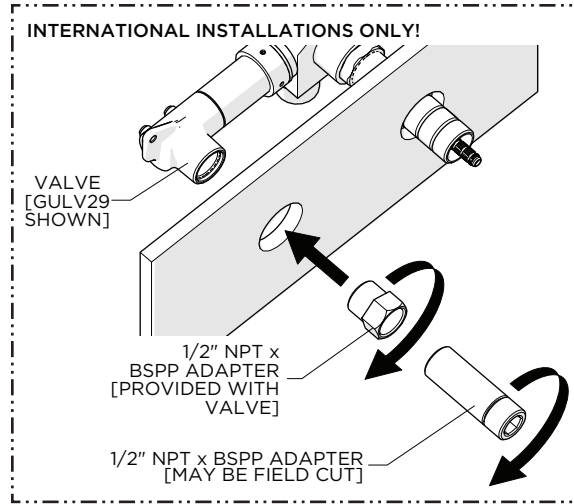
DIM	VALUE
A	8" [203mm] [NOT ADJUSTABLE]
B	8" [203mm] [NOT ADJUSTABLE]
C	5-1/2" [140mm] MAXIMUM 3" [76mm] MINIMUM
D	Ø1-3/8" [35mm]

INSTALLATION GUIDELINES

WALL MOUNTED LAVATORY FAUCETS

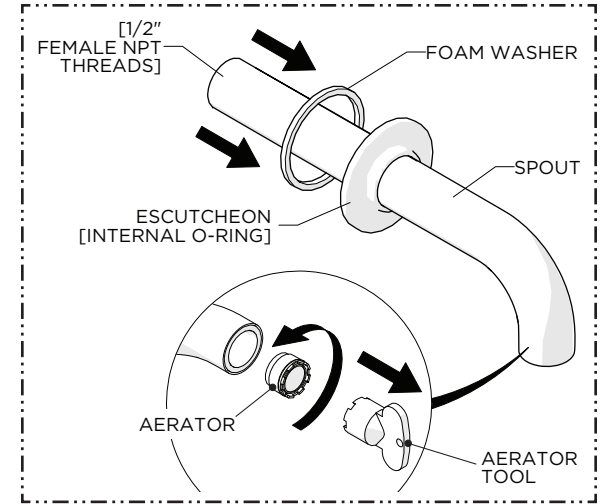


1. Thread a 1/2" NPT NIPPLE [not supplied] of appropriate length into the VALVE making sure it protrudes 1/2" [13mm] from the finished wall.

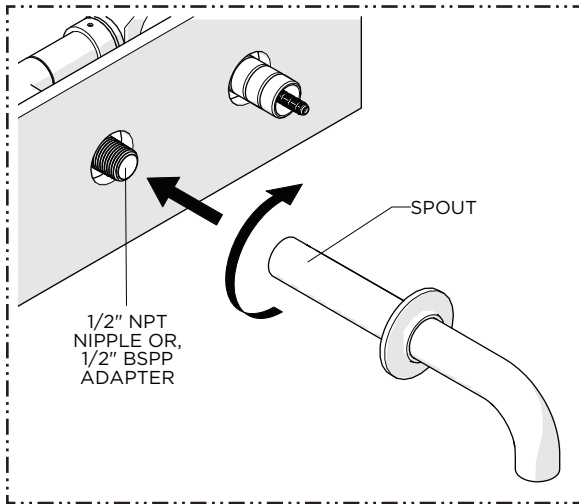


FOR INTERNATIONAL INSTALLATIONS ONLY

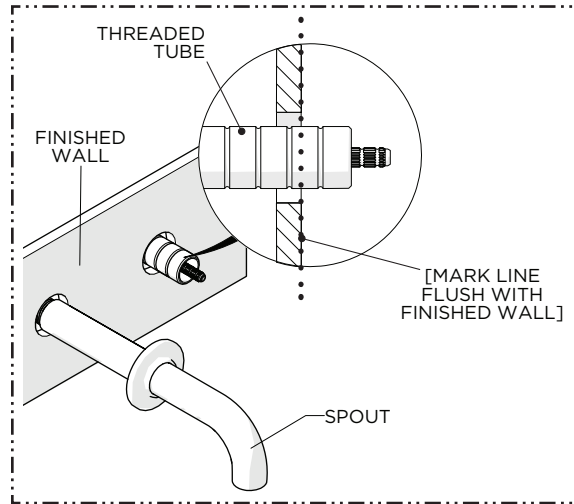
2. A BSSP ADAPTER is provided with the VALVE and a BSSP ADAPTER, which may be field cut, is provided with the FAUCET. Thread and securely tighten the ADAPTERS into the VALVE.



3. Using the tool provided, remove the AERATOR from the SPOUT then carefully slide the ESCUTCHEON and FOAM WASHER up the SPOUT.

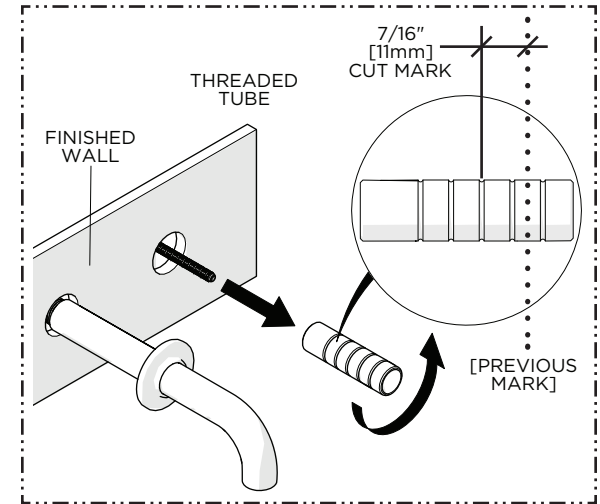


4. Thread and securely tighten the SPOUT onto the NPT NIPPLE OR, 1/2" BSSP ADAPTER.



5. Mark the THREADED TUBE where it protrudes past the finished wall.

NOTE: A straight edge (not supplied) can be used to mark the TUBE.

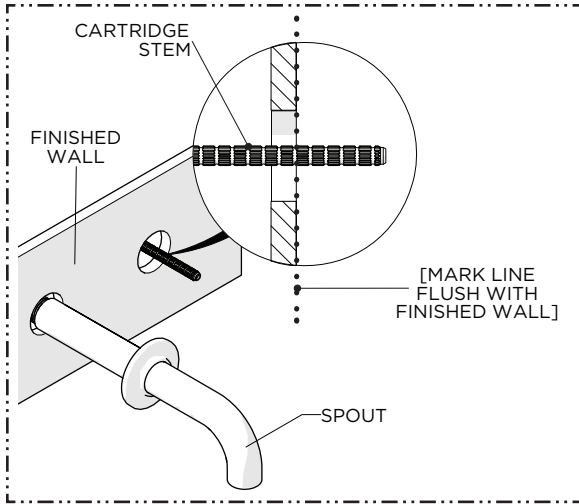


6. Remove the THREADED TUBE then cut it 7/16" [11mm] behind the previous mark.

NOTE [GULV25 ONLY]: Do NOT cut the end of the THREADED TUBE with the female threads.

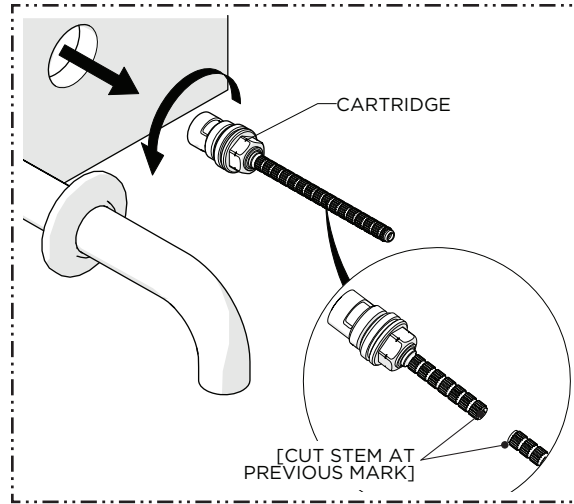
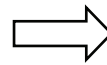
INSTALLATION GUIDELINES

WALL MOUNTED LAVATORY FAUCETS



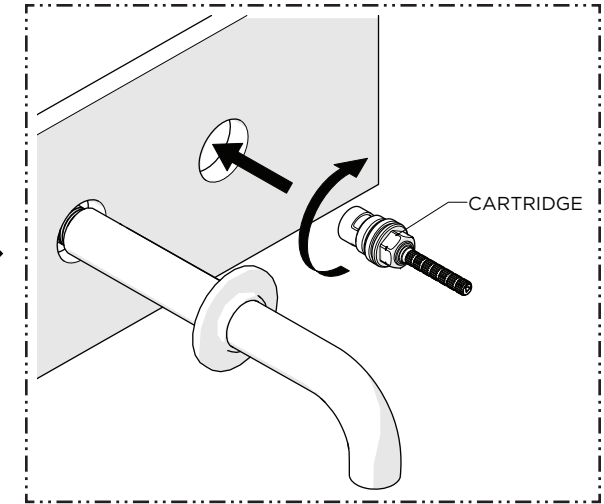
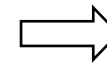
7. Mark the CARTRIDGE STEM where it protrudes past the finished wall.

NOTE: A straight edge (not supplied) can be used to mark the CARTRIDGE STEM.



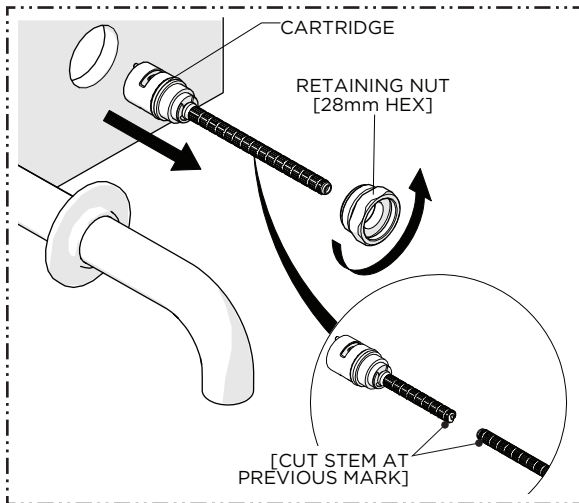
STEPS 8 - 9 FOR GULV25 ONLY

8. Remove the CARTRIDGE using a 21/32" [17mm] shower valve socket wrench (not provided) then cut the STEM at the previous mark.



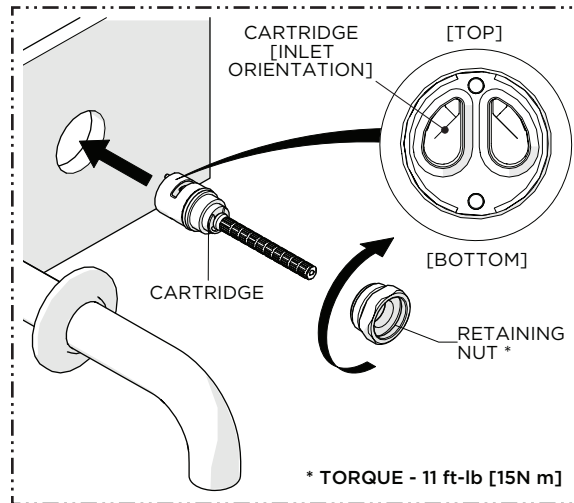
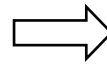
9. Thread and securely tighten the CARTRIDGE back into VALVE.

➤ REPEAT STEPS 5 - 9 FOR THE SECOND HANDLE.



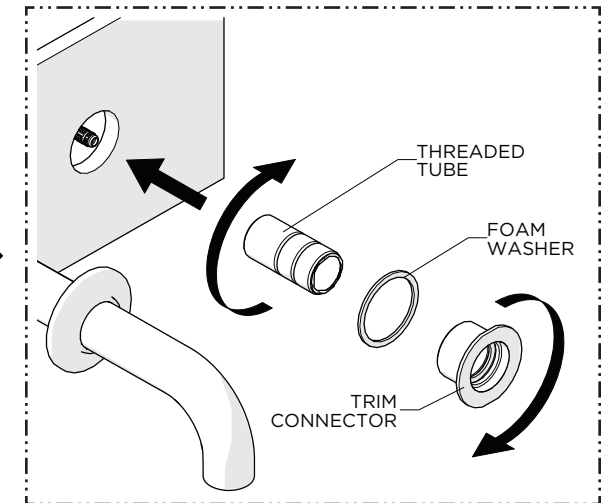
STEPS 10 - 11 FOR GULV29 ONLY

10. Remove the RETAINING NUT and CARTRIDGE then cut the CARTRIDGE STEM at the previous mark.



11. Insert the CARTRIDGE back into the VALVE in the proper orientation then thread and securely tighten the RETAINING NUT.

NOTE: The NUT requires a torque of 11 ft-lb [15N·m]. Exceeding this torque will damage the CARTRIDGE.



12. Thread the THREADED TUBE back onto the VALVE until snug then thread and securely tighten the TRIM CONNECTOR onto the THREADED TUBE using the FOAM WASHER provided.

**STEPS 13-14
KNOB HANDLE
INSTALLATION
ONLY**

13. Remove the INDICE, center SCREW and KNOB HANDLE from the ESCUTCHEON. Do **NOT** remove the internal SPRING.

NOTE: To remove the INDICE push down on and rotate it 45° then release.

14. Fully thread the ESCUTCHEON into the TRIM CONNECTOR, place the KNOB HANDLE onto the ESCUTCHEON, thread and securely tighten the SCREW, and re-attach the INDICE.

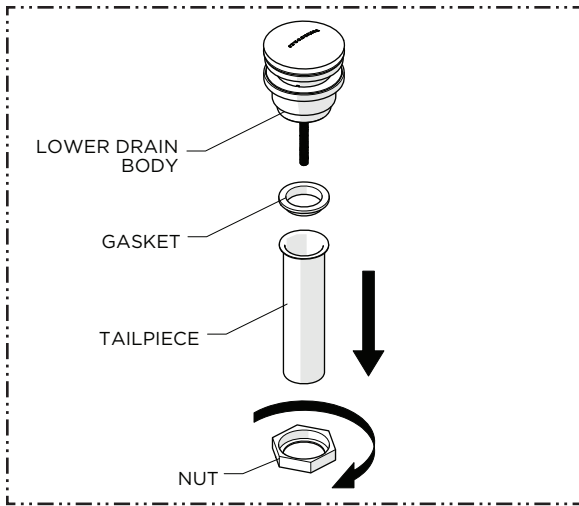
**STEPS 15-16
LEVER HANDLE
INSTALLATION
ONLY**

15. **CAREFULLY** slide the ESCUTCHEON up the LEVER HANDLE to expose the UNION NUT then thread the NUT into the TRIM CONNECTOR until snug.

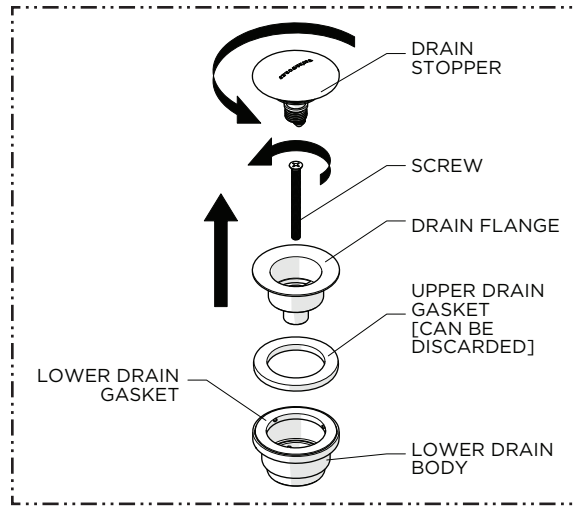
16. **CAREFULLY** slide the ESCUTCHEON down the LEVER HANDLE to conceal the TRIM CONNECTOR.

INSTALLATION GUIDELINES

WALL MOUNTED LAVATORY FAUCETS

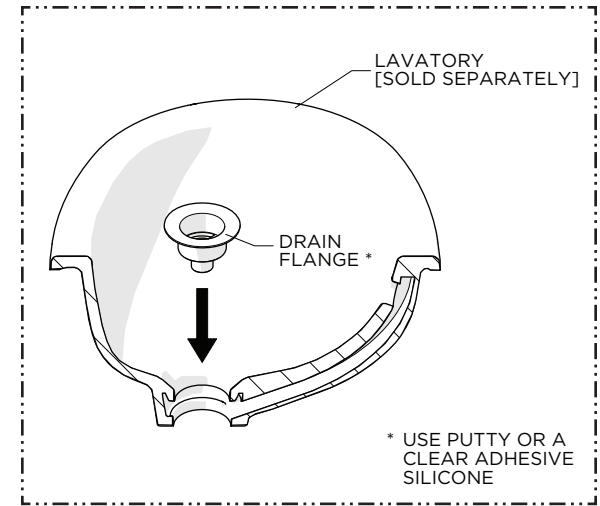


17. Unthread and remove the NUT, TAILPIECE, and GASKET from the LOWER DRAIN BODY.

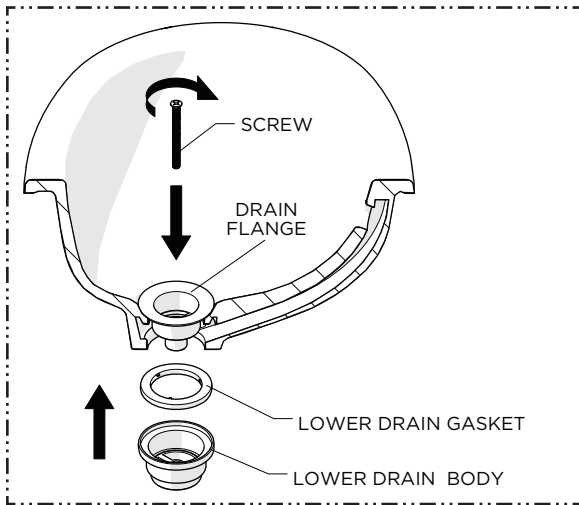


18. Remove the DRAIN STOPPER from the DRAIN FLANGE then unthread the SCREW from the LOWER DRAIN BODY.

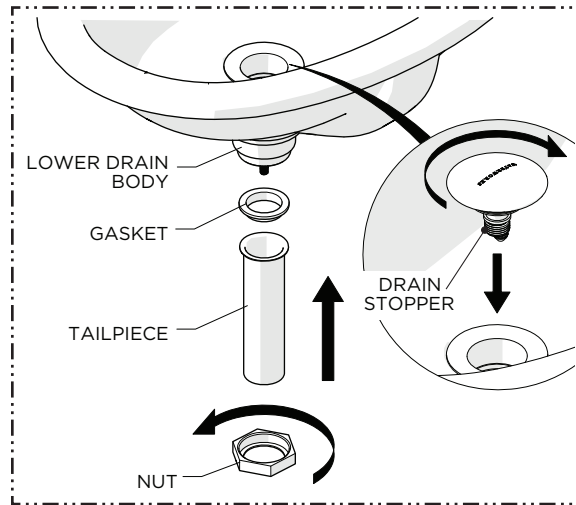
NOTE: Do **NOT** remove or discard the LOWER DRAIN GASKET.



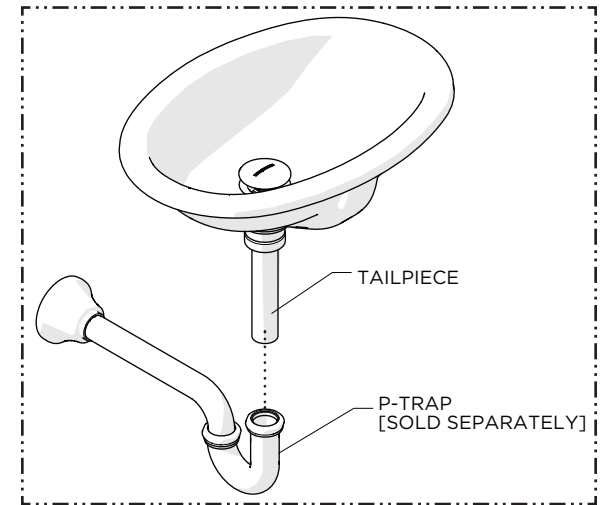
19. Set the DRAIN FLANGE into the lavatory (sold separately) using putty or a clear adhesive silicone.



20. Insert the SCREW provided into the FLANGE then thread and securely tighten the SCREW into the LOWER DRAIN BODY making sure the LOWER DRAIN GASKET makes a full seal on the underside of the LAVATORY.



21. Re-install the DRAIN STOPPER and TAILPIECE using the GASKET and NUT provided.

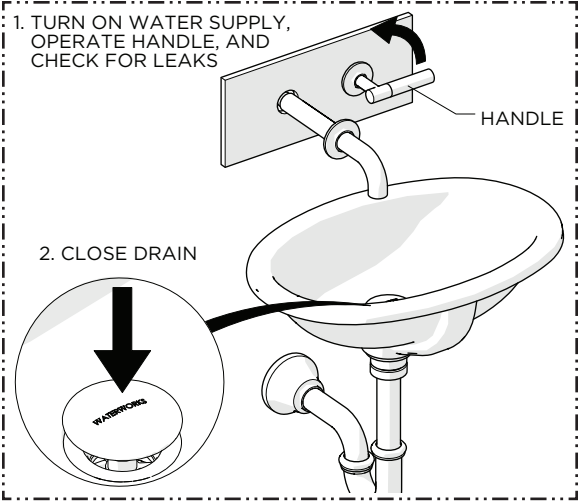


22. Make final P-TRAP (sold separately) connections.

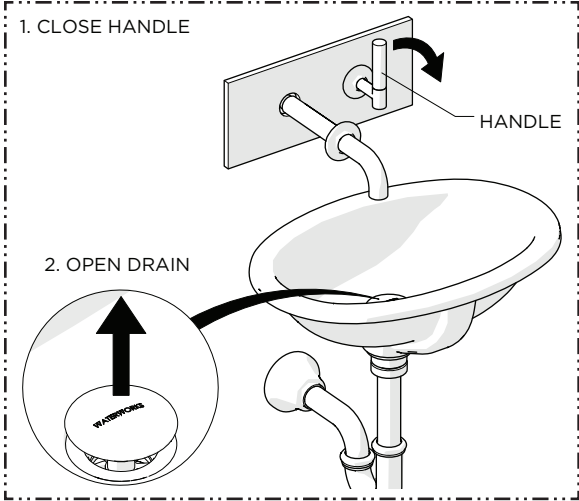
INSTALLATION GUIDELINES

WALL MOUNTED LAVATORY FAUCETS

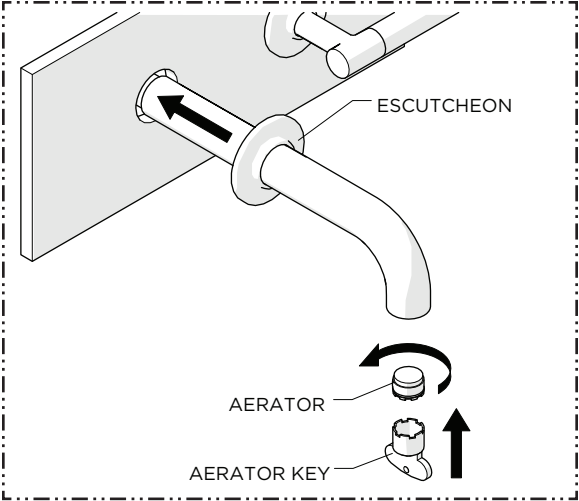
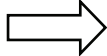
WATERWORKS



23. Turn on the water supply and operate the HANDLE(S) to flush out the supply lines, and inspect all connections for leaks then close the DRAIN to ensure it functions properly.



24. Close the HANDLE(S) then open the DRAIN to drain the water.



25. Re-install the AERATOR using the tool provided then slide the ESCUTCHEON down the SPOUT until it contacts the finished wall.