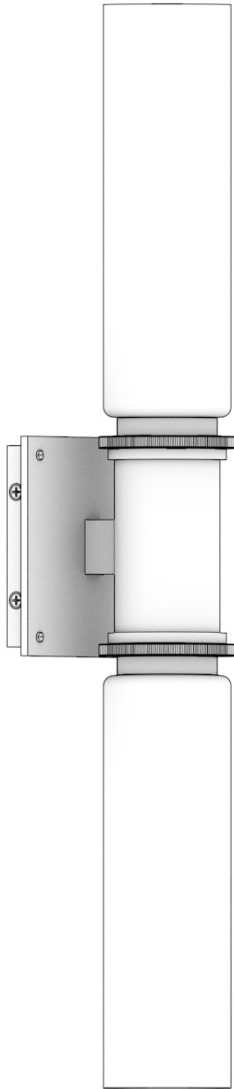


Style No. CNLT02 [CN02LT]

Wall Mounted Double Sconce with Glass Shades



* All items in [BRACKETS] refer to CE styles

SPECIFICATIONS:

Bulb Base Size: E26 [E27]

Bulb Type: T10-8.5

Junction Box Orientation: Any

Junction Box Size: Standard 4: Octagon

Max Wattage: 8.5

Orientation: Wall Only – Vertical or Horizontal

Shade Material: Opal Glass

Voltage: 120 [240]

Required Electrical Feeds:

UL: Black “Hot” wire; White “Neutral” wire; Green or Bare “Ground” wire

CE: [Brown “Line” wire; Blue “Neutral” wire; Green/Yellow Striped or Bare “Earth” wire]

IMPORTANT:

- **WARNING:** The power supply must be turned off prior to installation. Turn off the main electrical supply to the junction box from the fuse box/circuit breaker. Turning power off at the switch is not sufficient.
- To ensure this product is installed properly, you must read and follow these guidelines.
- The owner/user of this product must keep this information for future reference.
- CNLT02 is U.L. certified and are suitable for damp or dry locations. The U.L. listing mark can be found on the inside of the cover plate. [CN02LT] is CE rated. Proof of CE compliance will be provided upon request.
- Be sure your installation conforms to all federal, state, and local codes.
- This product must be installed by a professional licensed electrical contractor.
- Refer to the specification and assembly drawings attached. Product is sold partially assembled but shown fully disassembled for illustrative and service purpose only.
- Max wattage for CNLT02 [CN02LT] is 8.5 watts for LED E26 [E27] base light bulbs.

These guidelines have been prepared for the professional contractor to aid in the installation of:
HENRY CHRONOS WALL MOUNTED SCONCE WITH GLASS SHADES (STYLE No. CNLT02 [CN02LT])
All dimensions are based on original specification and are subject to change and variation.
Please consult your Design Associate for current specifications.

W A T E R W O R K S

CNLT02 [CN02LT] SCONCE INSTALLATION:

- **REQUIRED:** Install an electrical junction box at the desired height.
- See Figure - 01 for Steps 1 - 6.

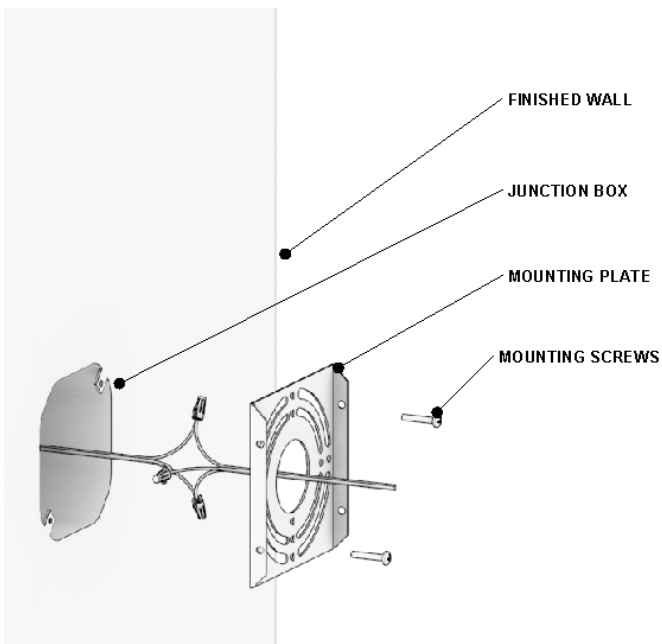


FIGURE - 01

1. Remove the MOUNTING PLATE by unthreading the FIXTURE MOUNTING SCREW from the back plate.
 2. Pull the wires from the light through the center of the MOUNTING PLATE.
 3. Fasten the bare copper fixture wire to the green or bare copper wire in the box with a wire nut or fasten it to the MOUNTING PLATE with the ground screw provided.
 4. Fasten the white fixture wire to the white wire in the box with a wire nut. Tightly wrap the connection with electrical tape beginning 1" [25mm] below the wire nut to ensure the tape seals the end of the nut. Make sure that there are no exposed wires that could cause a short circuit.
 5. Repeat previous step with the black fixture wire and the black wire from the junction box. Make sure the wires are pushed into the junction box.
 6. Attach the MOUNTING PLATE to the JUNCTION BOX using the MOUNTING SCREWS making sure to keep the proper alignment of the plate.
- See Figure - 02 for Step 7.

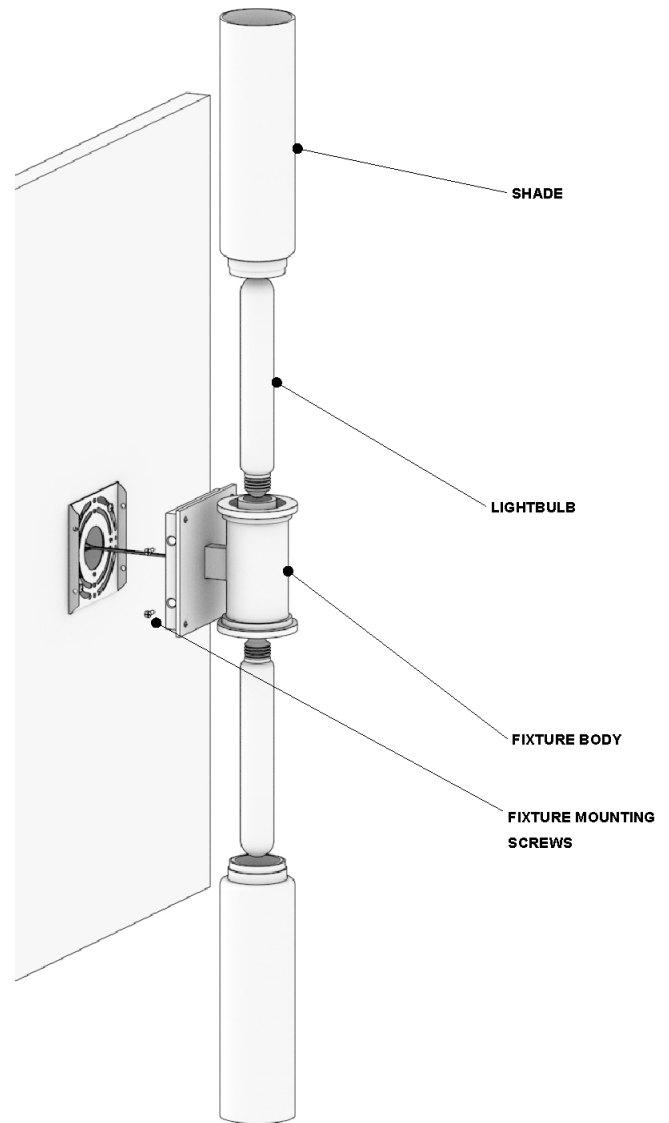


FIGURE - 02

7. Use the FIXTURE MOUNTING SCREWS to secure the FIXTURE BODY to the wall.
8. Screw the LIGHTBULBS into the FIXTURE BODY
9. Slide the GLASS SHADES over the LIGHTBULBS and screw onto the FIXTURE BODY.

SERVICING THE LIGHT:

The LIGHTBULB is accessible without any disassembly for cleaning and servicing.

- If further assistance is required, please contact Product Support at 1-800-927-2120 (8am-6pm EST).

These guidelines have been prepared for the professional contractor to aid in the installation of:
HENRY CHRONOS WALL MOUNTED SCONCE WITH GLASS SHADES (STYLE No. CNLT02 [CN02LT])
All dimensions are based on original specification and are subject to change and variation.
Please consult your Design Associate for current specifications.

WATERWORKS