

HENRY

HTH202

Henry Thermostatic Control Valve Trim with Two Tone Cross Handle



SHOWN IN HENRY THERMOSTATIC CONTROL VALVE TRIM WITH TWO TONE CROSS HANDLE | HTH202

TECHNICAL DETAILS

Integrated Diverter: N
Number Of Handles: One
Primary Material: Brass

INSPIRATION

Influenced by the connection of industry and art Henry easily transitions between modern, traditional, utilitarian and classic settings.

CODES & STANDARDS

ASME A112.18.1/CSA B125.1, State of MA

PRODUCT FEATURES

Features Two Tone Cross Handles

Allows Bather to Adjust Temperature of All Waterway Outlets

Features Anti-Scald Protection Through an Integrated High Limit Safety Stop

Stocked in Nickel/Dark Nickel and Brass/Dark Nickel

Requires Rough Valve, Sold Separately: GUTH60 (1/2") or GUTH37 (3/4")

CERTIFICATIONS

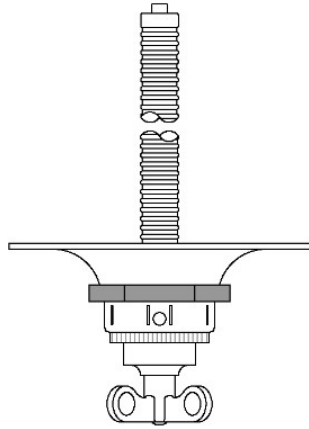


PRODUCT (NOTES)

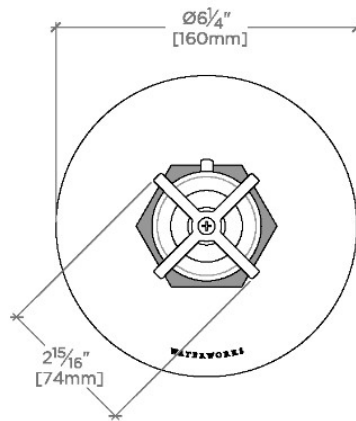
HENRY

HTH202

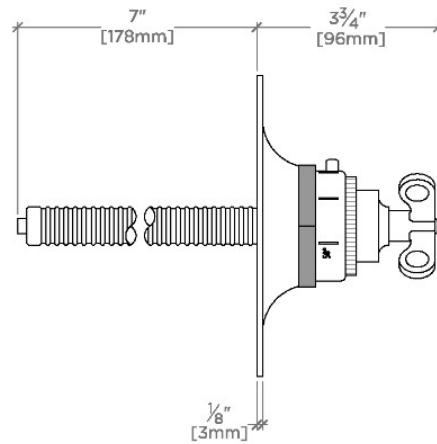
Henry Thermostatic Control Valve Trim with Two Tone Cross Handle



TOP VIEW SCALE: 3"=1'-0"



FRONT VIEW SCALE: 3"=1'-0"



SIDE VIEW SCALE: 3"=1'-0"