

## HENRY

HXT212

Henry Deck Mounted Exposed Tub Filler with Handshower and Two-Tone Lever Handles



SHOWN IN HENRY DECK MOUNTED EXPOSED TUB FILLER WITH HANDSHOWER AND TWO-TONE LEVER HANDLES | HXT212

### TECHNICAL DETAILS

ADA Compliance: No  
 Deck Thickness Maximum: 1 13/16"  
 Deck Thickness Minimum: 1/4"  
 Fittings Hole Diameter: 1 3/8"  
 Handle Spread Maximum: 8"  
 Handle Spread Minimum: 8"  
 Handle Turn Angle: Quarter Turn  
 Handshower Spray Hose Length: 60"  
 Inlet Connection Size: 3/4"  
 Inlet Connection Type: Male NPT and Male BSPP  
 Inlet Supply Spread Maximum: 8"  
 Inlet Supply Spread Minimum: 8"  
 Integrated Diverter: Y  
 Number Of Holes: Two Hole  
 Pivot: Y  
 Primary Material: Brass  
 Restricted Maximum Flow Rate: 1.75 gpm  
 Spout Swivel: N  
 Spray Included In Unit: Y  
 Valve Material: Brass and Ceramic  
 Water Pressure Maximum: 85.0 psi  
 Water Pressure Minimum: 20.0 psi  
 Water Pressure Recommended: 45.0 psi

### INSPIRATION

Influenced by the connection of industry and art Henry easily transitions between modern, traditional, utilitarian and classic settings.

### CODES & STANDARDS

### PRODUCT FEATURES

Features Two Tone Lever Handles

Diverter Handle Allows Bather to Move Water From Spout to Handshower

Handshower Offers a Fixed Spray Pattern, Handshower Post Can Swivel to allow user to position Handshower over the tub

Stocked in Nickel/Dark Nickel and Brass/Dark Nickel

Unrestricted Flow for Tub Spout. Handshower Available in 1.75gpm (4.5L/min) Flow Rate

### CERTIFICATIONS

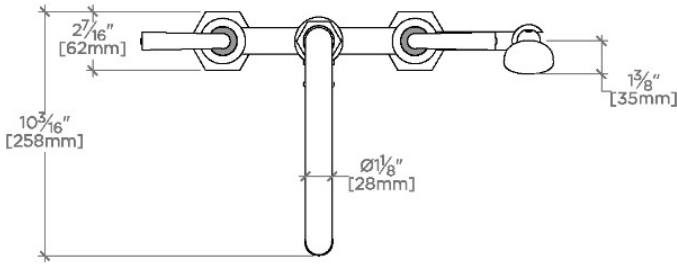
### PRODUCT (NOTES)

# WATERWORKS

## HENRY

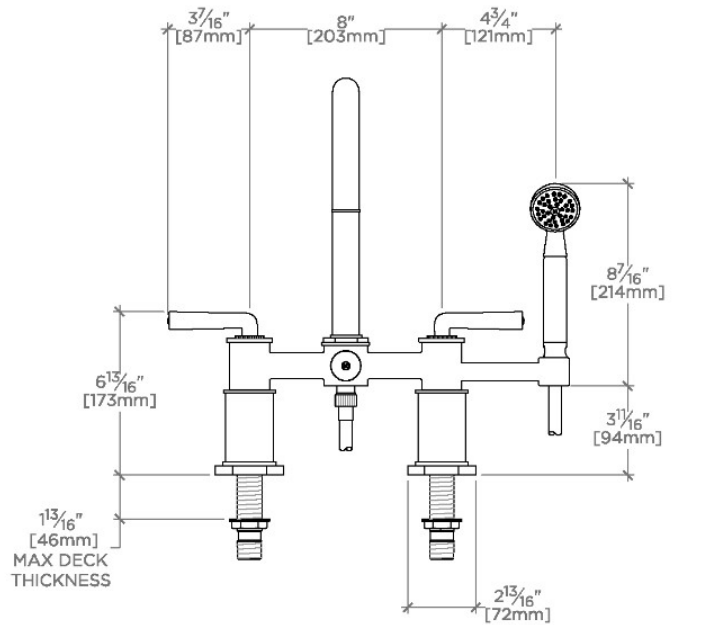
HXT212

Henry Deck Mounted Exposed Tub Filler with Handshower and Two-Tone Lever Handles



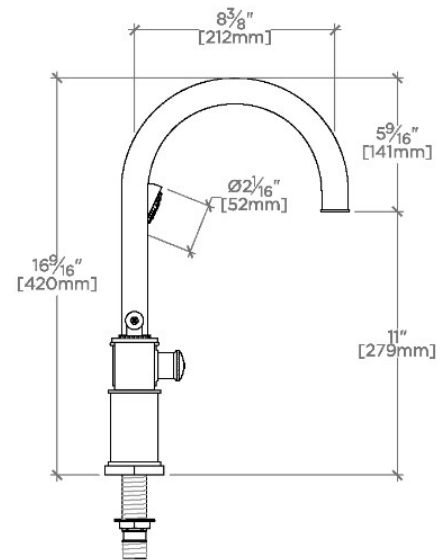
TOP VIEW

SCALE:  $1\frac{1}{2}$ "=1'-0"



FRONT VIEW

SCALE:  $1\frac{1}{2}$ "=1'-0"



SIDE VIEW

SCALE:  $1\frac{1}{2}$ "=1'-0"