

## UNIVERSAL

## UNKM10

Universal Modern One Hole High Profile Kitchen Faucet, Metal Lever Handle and Spray



SHOWN IN UNIVERSAL MODERN ONE HOLE HIGH PROFILE KITCHEN FAUCET, METAL LEVER HANDLE AND SPRAY | UNKM10

### TECHNICAL DETAILS

ADA Compliance: Yes  
Depth / Width: 11 9/16"  
Height: 12 5/16"  
Primary Material: Brass  
Restricted Maximum Flow Rate: 2.2 gpm  
Spray Included in Unit: Y  
Suggested Application: Bar, Kitchen, Laundry  
Valve Material: Ceramic  
Water Pressure Maximum: 85.0 psi  
Water Pressure Minimum: 20.0 psi  
Water Pressure Recommended: 45.0 psi

### INSPIRATION

Our Universal collection features timeless designs complementing any of our Waterworks. With a wide range of product, from fittings to accessories, Universal adds exquisite proportion and balance to any environment.

### CODES & STANDARDS

Code # UNKM10X: Complies with ASME A112.18.1/CSA B125.1, ADA, CEC, NSF 61 and 0.25% Weighted Average Lead Content. Certified with CEC, DOE and State of MA.

### PRODUCT FEATURES

The design of the modern single hole kitchen mixer is a tall slender column with a functional rubber sleeved lever. Streamlined, clean and efficient, the scale is dynamic and the form modern and sophisticated.

Features a tilt and turn handle operation with a swivel spout constructed of brass. Spray is constructed of stainless steel.

Standard flow rate is 2.2gpm (8.3 L/min) and State of California requires a maximum of 1.8gpm(6.8 L/min). Also available in high efficiency flow options. Contact a sales associate for details.

### CERTIFICATIONS

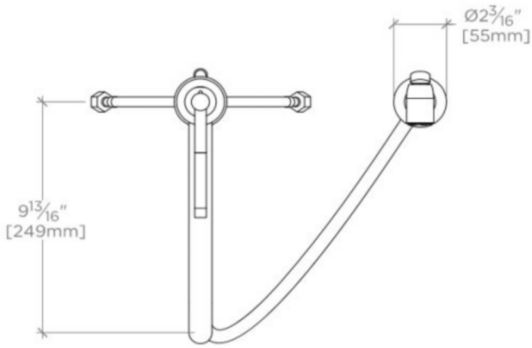


# WATERWORKS

## UNIVERSAL

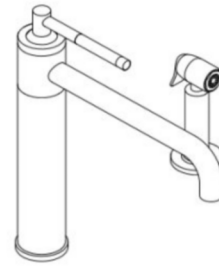
UNKM10

Universal Modern One Hole High Profile Kitchen Faucet, Metal  
Lever Handle and Spray



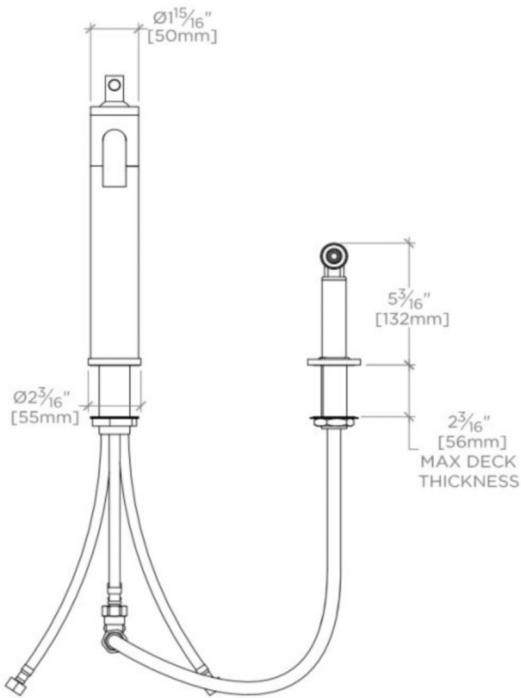
TOP VIEW

SCALE: 1/2"=1'-0"



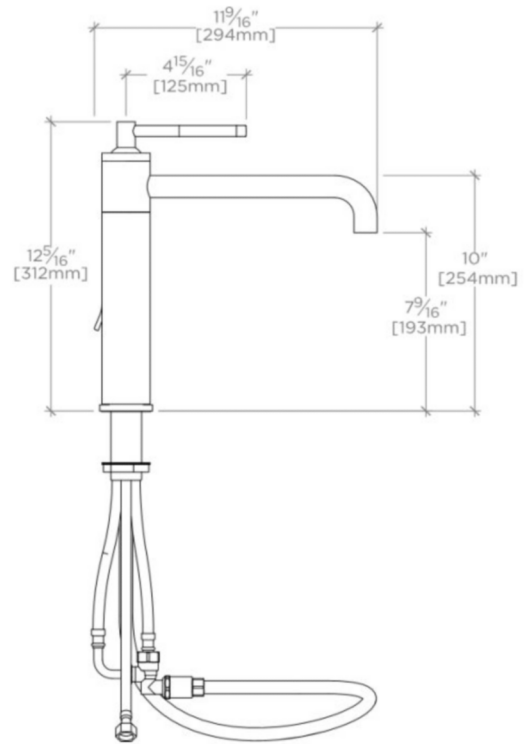
ISO VIEW

SCALE: 1/2"=1'-0"



FRONT VIEW

SCALE: 1/2"=1'-0"



SIDE VIEW

SCALE: 1/2"=1'-0"