

EASTON

EAHS13

Easton Classic Handshower On Hook with White Porcelain Handle



SHOWN IN EASTON CLASSIC HANDSHOWER ON HOOK WITH WHITE PORCELAIN HANDLE | EAHS13

TECHNICAL DETAILS

ADA Compliance: No
 Adjustable versus Fixed Spray: Fixed Spray
 Diameter of Head: 3 1/16"
 Fittings Hole Diameter: 1 3/8"
 Flow Restriction Options: 2.5, 2.2, 2.0, 1.75, 1.5, 0.92
 Handshower / Spray Hose Length: 59"
 Depth / Width: 5"
 Height: 9 1/2"
 Inlet Connection Size: 1/2"
 Inlet Connection Type: Female NPT
 Installation Type: Wall Mounted
 Integrated Diverter: N
 Length: 14"
 Pivot: N
 Primary Material: Brass
 Suggested Application: Bath
 Water Pressure Maximum: 75.0 psi
 Water Pressure Minimum: 20.0 psi
 Water Pressure Recommended: 45.0 psi

INSPIRATION

Drawing on Edwardian style, Easton is the most extensive Waterworks family; a range of moods and a selection of products from fittings to furniture.

CODES & STANDARDS

Code # EAHS13: ASME A112.18.1, CSA B125, ASSE 1014, IAPMO, State of MA, CEC, Watersense

PRODUCT FEATURES

Brass metal is used for all trim and valve components.

The manufacturing process encompasses casting, turning, forging, hand-fitting and hand polishing.

Easton is our most comprehensive fittings family.

Easton has a clean-lined utilitarian profile, with a slightly elongated spout.

Stocked in 2.5gpm (9.5 L/min) and 1.75gpm (6.6 L/min). State of California requires 1.75gpm (6.6 L/min) to comply with their water conservation requirements. Other flow options are available to order, contact your sales associate

CERTIFICATIONS

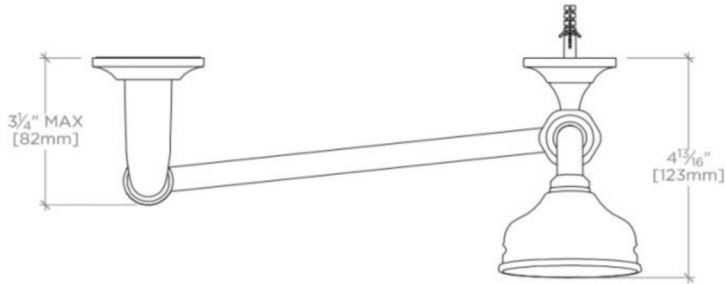


WATERWORKS

EASTON

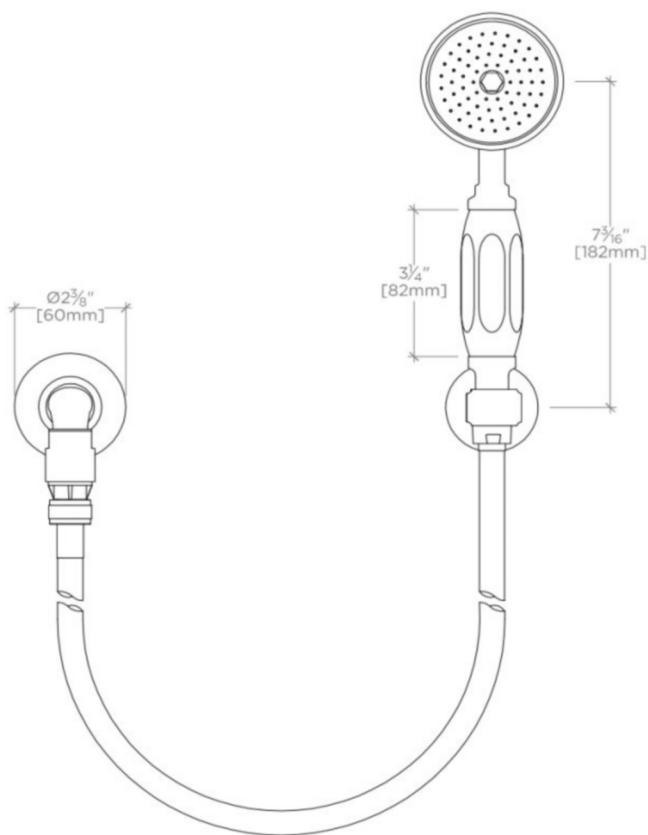
EAHS13

Easton Classic Handshower On Hook with White Porcelain Handle



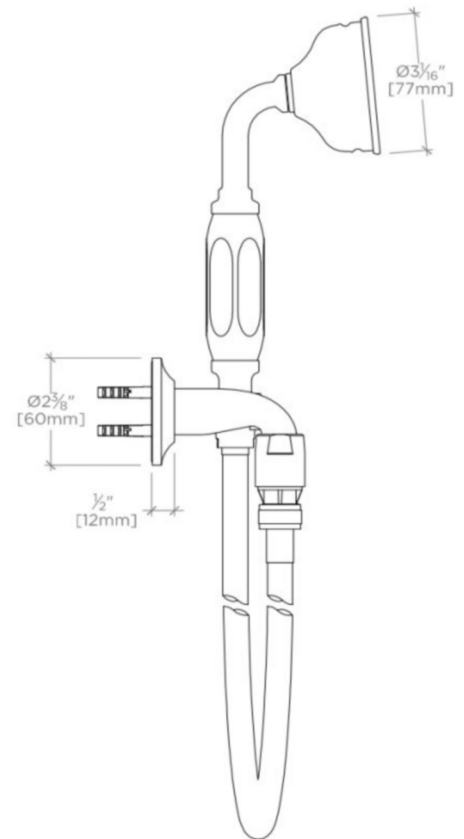
TOP VIEW

SCALE: 3"=1'-0"



FRONT VIEW

SCALE: 3"=1'-0"



SIDE VIEW

SCALE: 3"=1'-0"