

CALAIS

Calais One Hole Gooseneck Kitchen Faucet, Metal Lever Handles

CSKM42



SHOWN IN CALAIS ONE HOLE GOOSENECK KITCHEN FAUCET, METAL LEVER HANDLES| CSKM42

TECHNICAL DETAILS

ADA Compliance: Yes
Deck Thickness Maximum: 1 1/4"
Deck Thickness Minimum: 0"
Fittings Hole Diameter: 1 1/4"
Flow Restriction Options: 1.5, 1.0
Handle Spread Maximum: 5 1/8"
Handle Spread Minimum: 5 1/8"
Inlet Connection Size: 3/8"
Inlet Connection Type: Straight Female Threads
Inlet Supply Spread Maximum: 5/8"
Inlet Supply Spread Minimum: 5/8"
Primary Material: Brass
Restricted Maximum Flow Rate: 2.2 gpm
Spray Included in Unit: N
Suggested Application: Bar, Kitchen, Laundry
Valve Material: Ceramic
Water Pressure Maximum: 85.0 psi
Water Pressure Minimum: 20.0 psi
Water Pressure Recommended: 45.0 psi

INSPIRATION

The rich finishes of our Calais collection make these uniquely styled fittings an attraction in any kitchen or bar.

CODES & STANDARDS

Code # CSKM42: CEC

PRODUCT FEATURES

Standard flow rate is 2.2gpm (8.3 L/min) and State of California requires a maximum of 1.8gpm(6.8 L/min). Also available in other flow options. Contact a sales associate for details.

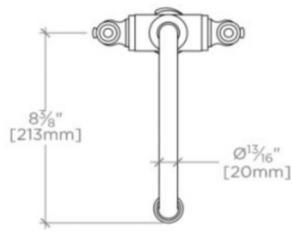
CERTIFICATIONS



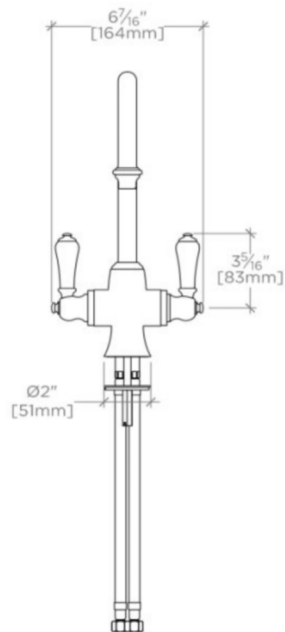
CALAIS

CSKM42

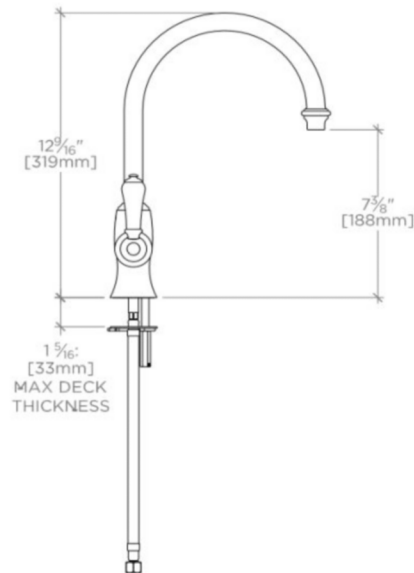
Calais One Hole Gooseneck Kitchen Faucet, Metal Lever Handles



TOP VIEW SCALE: $1\frac{1}{2}$ "=1'-0"



FRONT VIEW SCALE: $1\frac{1}{2}$ "=1'-0"



SIDE VIEW SCALE: $1\frac{1}{2}$ "=1'-0"