

WORTH

WOVN08

Worth Single Vanity Packaged with Sink and Slab Top 26" x 22 3/8" x 33 7/8"



TECHNICAL DETAILS

Bowl Shape: Oval
Drain Hole Depth: 1.72"
Drain Hole Diameter: 1.8"
Depth / Width: 22 3/8"
Height: 33 7/8"
Length: 26"
Number of Holes: Two Hole
Number of Legs: Four
Outer Rim Shape: Oval
Overflow Opening: Yes
Rough-in Supply Height Recommended: 21"
Rough-in Waste Height Recommended: 19"
Sink Visibility: N
Suggested Application: Bath

INSPIRATION

The Worth Collection was inspired by bold and stylish design elements seen in fashionable resorts and hotels in the 30's and 40's. The forms are muscular accented with over scaled trim and hardware.

PRODUCT FEATURES

Legs are inspired by traditional bracket feet that have been enlarged and updated.
The edge detail around the drawer is a modern take on early drawer beading.
Vanities feature a practical two-door storage and pull down storage compartment.
Slab top and SALV24 sink included with choice of Carrara or Arabescato. Custom top options available and sold separately.



PRODUCT (NOTES)

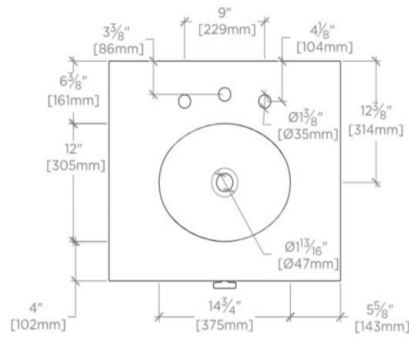
Slab and sink top are included

WATERWORKS

WORTH

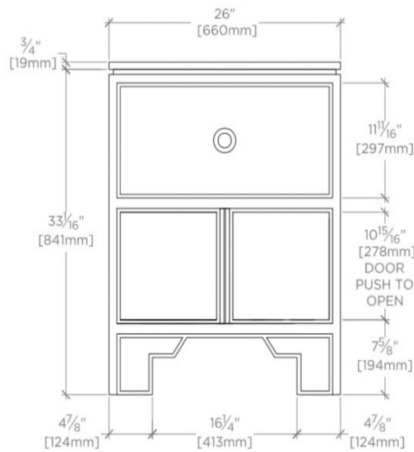
WOVN08

Worth Single Vanity Packaged with Sink and Slab Top 26" x 22 3/8" x 33 7/8"

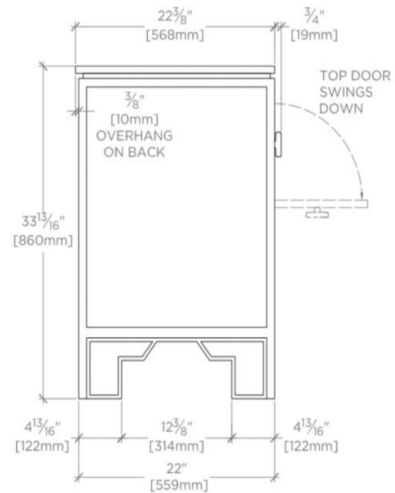


TOP VIEW SCALE: 3/4"=1'-0"

NOTE:
THE AESTHETIC OF THIS SLAB IS TO BE FLUSH ON THE FRONT AND SIDES & HAVE A 3/8" OVERHANG ON THE BACK OF THE SLAB TO ACCOMMODATE FOR A BASE. VANITY AND SLAB MAY BE REPOSITIONED TO BE FLUSH WITH WALL WITH OVERHANG TOWARDS FRONT



FRONT VIEW SCALE: 3/4"=1'-0"



SIDE VIEW SCALE: 3/4"=1'-0"