

ADDAIR

ADLT01

Addair Wall Mounted Single Sconce with Glass Shade



SHOWN IN ADDAIR WALL MOUNTED SINGLE SCONCE WITH GLASS SHADE| ADLT01

TECHNICAL DETAILS

Ambient / Task: Task
Bulb Base Size: E12
Bulb Type: Candelabra
Depth / Width: 4 1/2"
Height: 15 5/16"
Installation Type: Wall Mounted
Interior / Exterior Application: Interior Only
Junction Box Orientation: Any
Length: 4 7/8"
Number of Bulbs: Two
Orientation: Any
Primary Material: Brass
Safety Warnings: Do not exceed max wattage
Shade Finish: Etched
Shade Material: Glass
Shade Shape: U-Bend
Voltage: 120
Wet / Dry: Damp or Dry

INSPIRATION

The geometric forms and mixed materials of a crisp modern frame and curved ribbed glass shade define Addair. The combination of metals makes it easy to place with various finishes.

CODES & STANDARDS

UL and CUL

PRODUCT FEATURES

Two-tone mix of metals
Solid brass and curved, patterned glass
Uses 60 Watt Candelabra Bulbs (not included)
UL and CUL Listed
Mounts vertically or horizontally

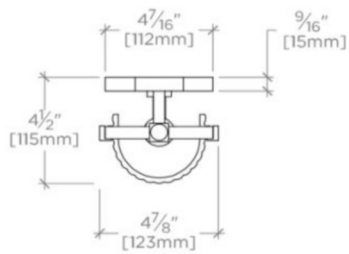
CERTIFICATIONS



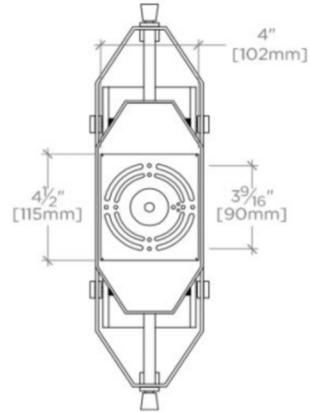
ADDAIR

ADLT01

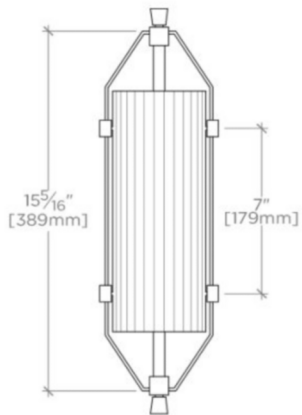
Addair Wall Mounted Single Sconce with Glass Shade



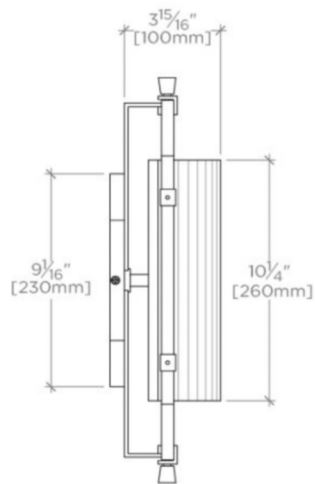
TOP VIEW SCALE: 1/2"=1'-0"



BACK VIEW SCALE: 1/2"=1'-0"



FRONT VIEW SCALE: 1/2"=1'-0"



SIDE VIEW SCALE: 1/2"=1'-0"