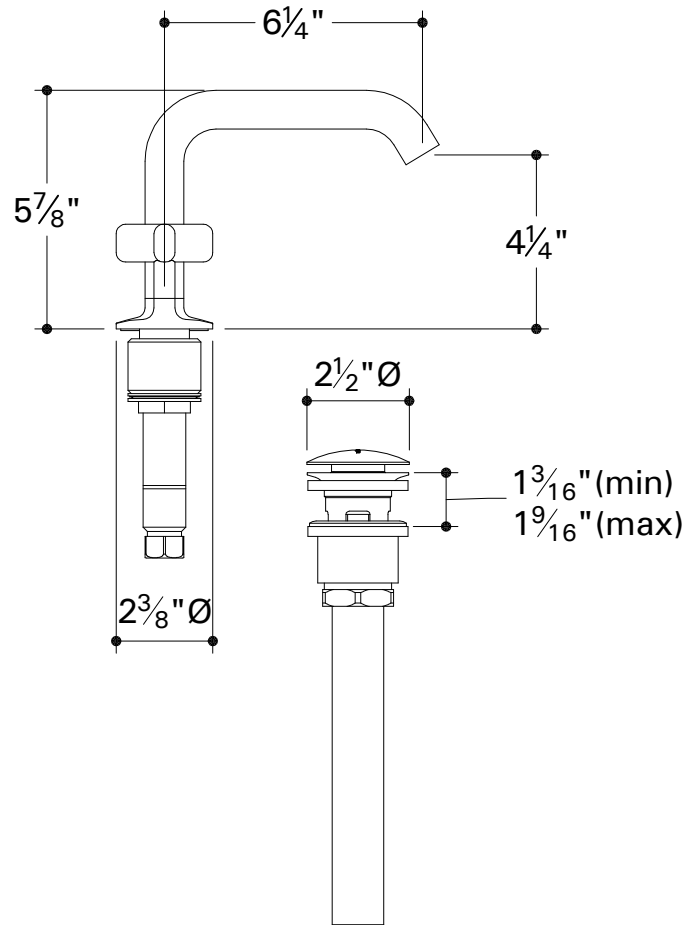
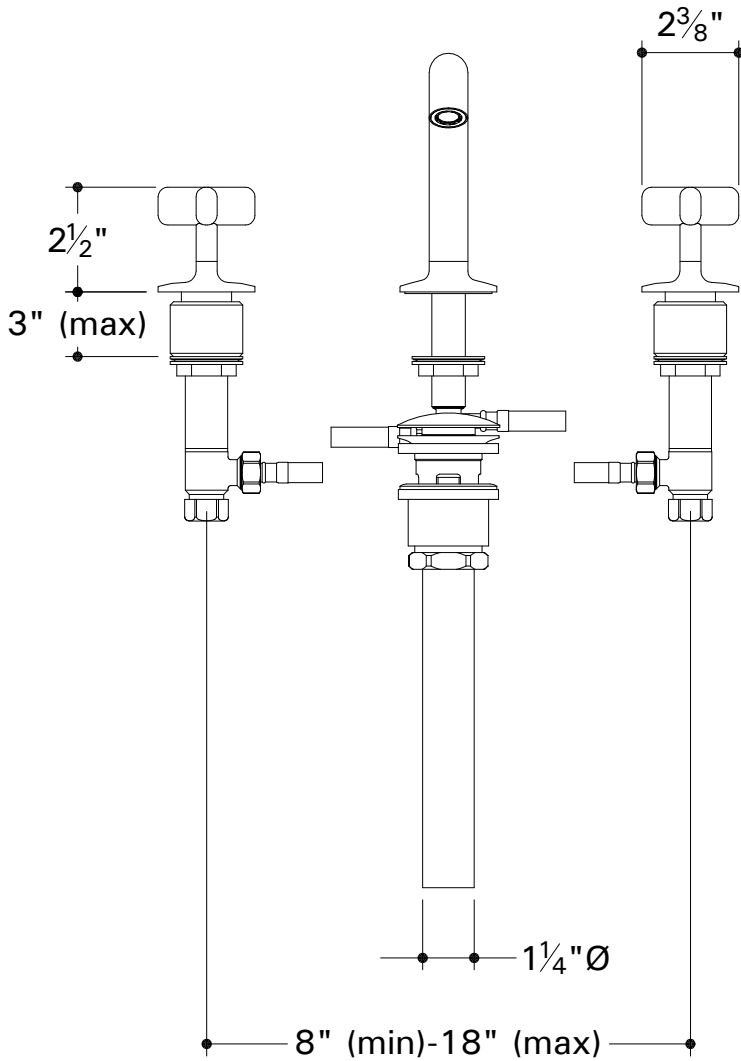


BRIDGE LAVATORY FAUCET WITH CROSS HANDLES
PTLS03-K

DRAIN OPTIONS*

WWPLS18 USA Modern Push-Touch w/out overflow

WWPLS16 USA Traditional Push-Touch with overflow



All dimensions are based on original specifications and are subject to change and variation. Please consult your Design Associate for current specification.

***Notes:**

- **Drill Hole Size: 1 1/4" Ø**
- **European Push-Touch Drain with overflow included**