

## DASH

## DSSH10

Dash Wall Mounted 5" Shower Head, Arm and Flange



SHOWN IN DASH WALL MOUNTED 5" SHOWER HEAD, ARM AND FLANGE| DSSH10

### TECHNICAL DETAILS

Adjustable versus Fixed Spray: Adjustable Spray  
Diameter of Head: 5 1/8"  
Escutcheon Primary Material: Brass  
Fittings Hole Diameter: 1 1/4"  
Flow Restriction Options: 2.0, 1.75, 1.5  
Depth / Width: 12 1/4"  
Height: 7 3/8"  
Inlet Connection Size: 1/2"  
Inlet Connection Type: Male NPT  
Installation Type: Wall Mounted  
Integrated Diverter: N  
Length: 5 1/8"  
Pivot: Y  
Primary Material: Brass  
Restricted Maximum Flow Rate: 2.5 gpm  
Suggested Application: Bath  
Water Pressure Maximum: 85.0 psi  
Water Pressure Minimum: 20.0 psi  
Water Pressure Recommended: 45.0 psi

### INSPIRATION

A blend of art and function, Dash pays homage to design elements of the 1930s with pared-down shapes, softened curves and minimal details.

### PRODUCT FEATURES

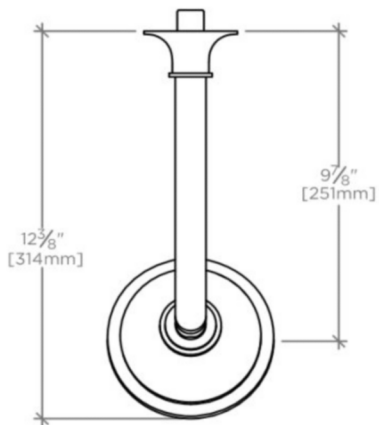
Includes 5-1/8" Adjustable Showerhead with easy clean rubber nozzles  
Adjustable showerhead features 3 spray patterns  
Stocked in Nickel, Chrome, Unlacquered Brass, and Matte Nickel finishes  
Standard flow rate is 2.5gpm (9.5 L/min). Also available in high efficient flow options. Contact your sales associate or call 1 (800) 899-6757 for details.

# WATERWORKS

## DASH

DSSH10

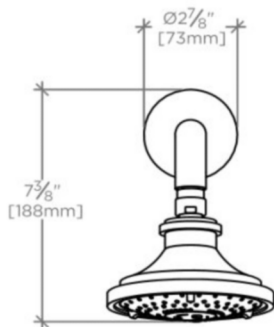
Dash Wall Mounted 5" Shower Head, Arm and Flange



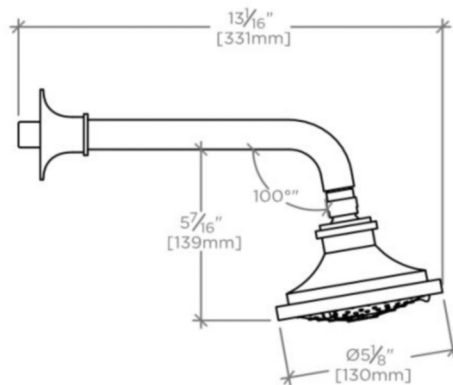
TOP VIEW SCALE: 2"=1'-0"



ISO VIEW SCALE: 2"=1'-0"



FRONT VIEW SCALE: 2"=1'-0"



SIDE VIEW SCALE: 2"=1'-0"