

## REGULATOR

RGLS41

Regulator Gooseneck One Hole Lavatory Faucet with Metal Wheel Handle



SHOWN IN REGULATOR GOOSENECK ONE HOLE LAVATORY FAUCET WITH METAL WHEEL HANDLE| RGLS41

### TECHNICAL DETAILS

Deck Thickness Maximum: 2 1/16"  
Deck Thickness Minimum: 1/4"  
Drain Assembly Materials: Brass  
Drain Depth Maximum: 2 5/8"  
Drain Hole Diameter: 1 3/4"  
Drain Style: Push Touch  
Escutcheon Primary Material: Brass  
Fittings Hole Diameter: 1 3/4"  
Flow Restriction Options: 1.0, 1.2, 1.5, 1.75, 2.9  
Handle Turn Angle: Quarter Turn  
Depth / Width: 10 9/16"  
Drain Depth Minimum: 3/8"  
Height: 12 1/2"  
Inlet Connection Size: 3/8"  
Inlet Connection Type: Compression Connection Hoses  
Length: 4 13/16"  
Number of Holes: One Hole  
Primary Material: Brass  
Spout Swivel: Y  
Suggested Application: Bath  
Water Pressure Maximum: 85.0 psi  
Water Pressure Minimum: 20.0 psi  
Water Pressure Recommended: 45.0 psi

### INSPIRATION

A play on industrial controls from the early 1900s, when pride was lavished on parts. Translated to handcrafted, fittings project rugged beauty through powerful, detailed shapes.

### PRODUCT FEATURES

Metal Wheel Handle

Includes European push touch style drain.

Stocked in Nickel, Chrome and Unlacquered Brass

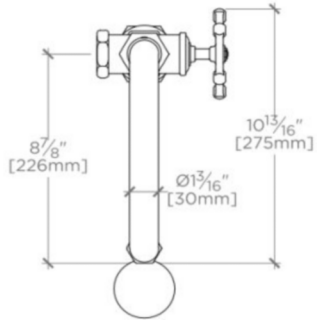
Standard flow rate is 2.2gpm (8.3 L/min) and State of California requires 1.2gpm(4.5 L/min). Also available in other flow options. Contact a sales associate for details.

# WATERWORKS

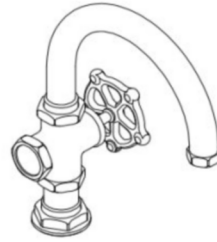
## REGULATOR

RGLS41

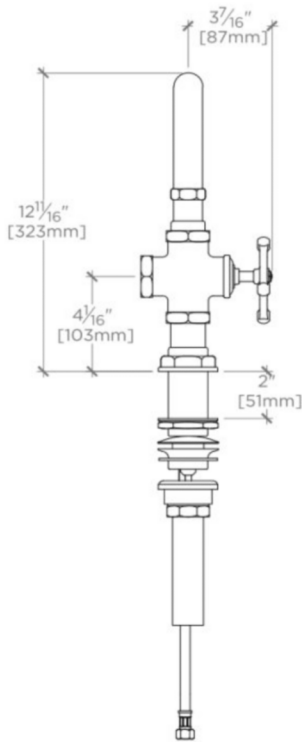
Regulator Gooseneck One Hole Lavatory Faucet with Metal Wheel Handle



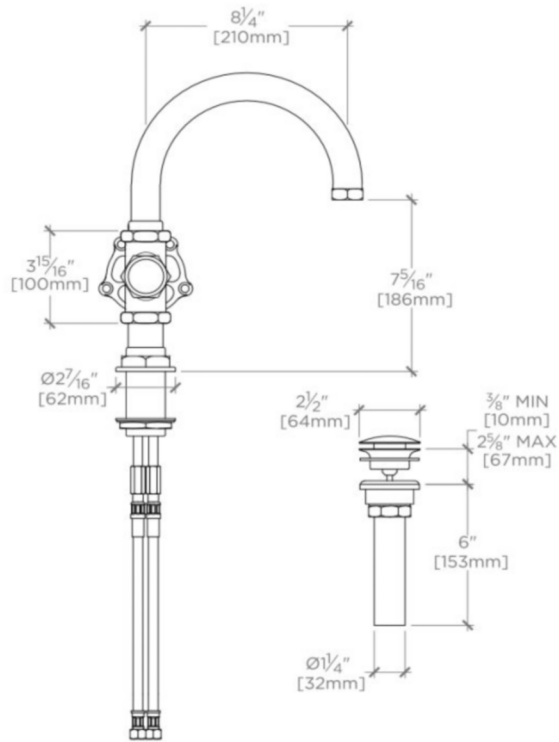
TOP VIEW SCALE:  $1\frac{1}{2}$ "=1'-0"



ISO VIEW SCALE:  $1\frac{1}{2}$ "=1'-0"



FRONT VIEW SCALE:  $1\frac{1}{2}$ "=1'-0"



SIDE VIEW SCALE:  $1\frac{1}{2}$ "=1'-0"