

## BOND

BKM12P

Bond Solo Series One Hole Gooseneck Integrated Pull Spray  
Kitchen Faucet with Two-Piece Straight Lever Handle



### TECHNICAL DETAILS

Adjustable versus Fixed Spray: Adjustable  
Deck Thickness Maximum: 2 1/4"  
Deck Thickness Minimum: 1/4"  
Fittings Hole Diameter: 1 1/2"  
Handle Turn Angle: Tilt and Turn  
Handshower / Spray Hose Length: 59"  
Inlet Connection Size: 3/8"  
Inlet Connection Type: Compression Connection Hoses  
Integrated Diverter: Y  
Restricted Maximum Flow Rate: 1.75 gpm  
Spout Swivel: Y  
Spray Included in Unit: Y  
Valve Material: Ceramic  
Water Pressure Maximum: 85.0 psi  
Water Pressure Minimum: 25.0 psi  
Water Pressure Recommended: 45.0 psi

### INSPIRATION

Modern designs infused with rare soul and artistry. Explore our wide range of Bond bath and kitchen elements, from fittings to fixtures to hardware.

### PRODUCT FEATURES

Lever Handle

Two Function Integrated Pull Spray operated by a sliding button, switches from aerated stream to jet spray. The button returns to aerated stream when disengaged and remains in spray mode without holding down

Features Two-Piece Straight Lever Handle

Stocked in Chrome, Nickel, Brass and Dark Nickel

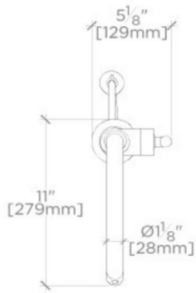
Available in 1.75gpm (6.6L/min) flow rate

# WATERWORKS

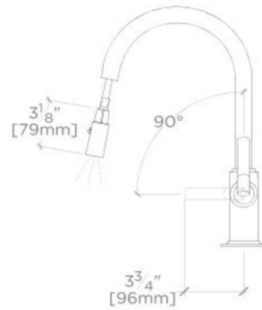
## BOND

## BKM12P

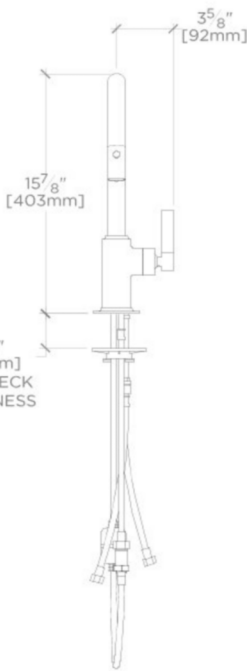
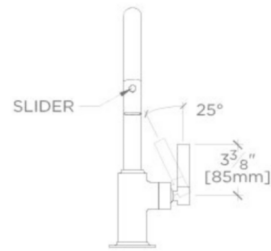
Bond Solo Series One Hole Gooseneck Integrated Pull Spray Kitchen Faucet with Two-Piece Straight Lever Handle



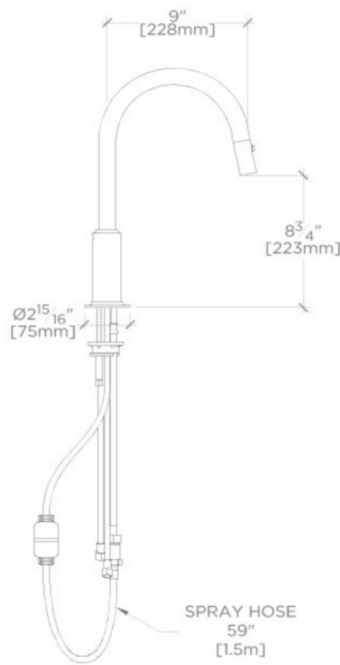
TOP VIEW SCALE: 1"=1'-0"



SPRAY AND HANDLE OPERATION SCALE: 1"=1'-0"

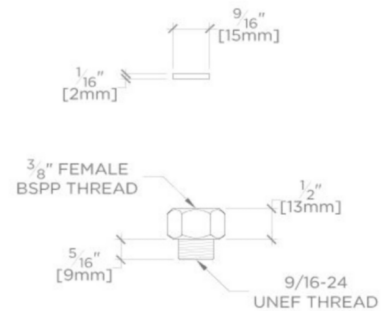


FRONT VIEW SCALE: 1"=1'-0"



SIDE VIEW SCALE: 1"=1'-0"

NOTE:  
ADAPTER AND GASKET (x2) INCLUDED -  
INTERNATIONAL USE ONLY



ADAPTER NOT TO SCALE