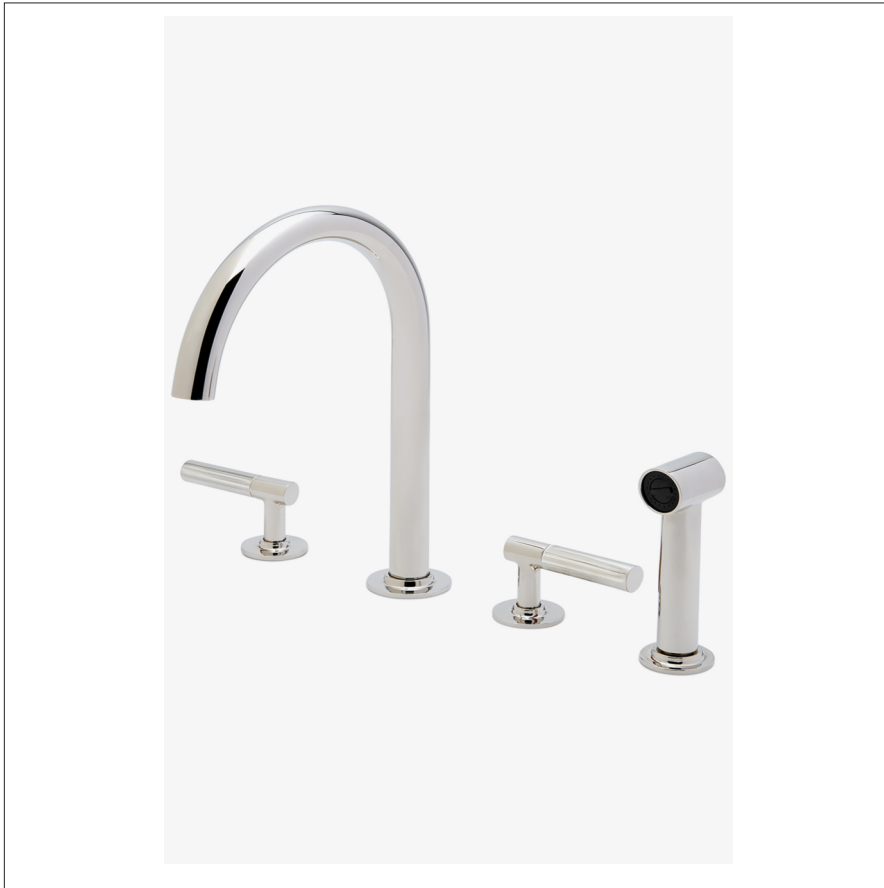


## BOND

BKM22A

Bond Tandem Series Gooseneck Kitchen Faucet and Spray with Guilloche Lines Lever Handles



FILEDESCRIPTION

### TECHNICAL DETAILS

Deck Thickness Maximum: 1 7/16"  
Deck Thickness Minimum: 1/4"  
Fittings Hole Diameter: 1 3/8"  
Handle Turn Angle: Quarter Turn  
Handshower / Spray Hose Length: 59"  
Inlet Connection Size: 1/2"  
Inlet Connection Type: Male with Supply Nut  
Integrated Diverter: Y  
Restricted Maximum Flow Rate: 1.75 gpm  
Spout Swivel: Y  
Spray Included in Unit: Y  
Valve Material: Ceramic  
Water Pressure Maximum: 85.0 psi  
Water Pressure Minimum: 25.0 psi  
Water Pressure Recommended: 45.0 psi

### INSPIRATION

Modern designs infused with rare soul and artistry. Explore our wide range of Bond bath and kitchen elements, from fittings to fixtures to hardware.

### PRODUCT FEATURES

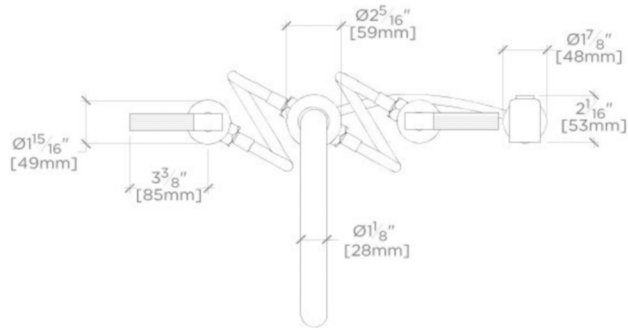
- Lever Handles
- Powerful Side spray with push button activation
- Features Linear Guilloche Etching Handles
- Stocked in Nickel and Brass
- Available in 1.75gpm (6.6L/min) flow rate

# WATERWORKS

## BOND

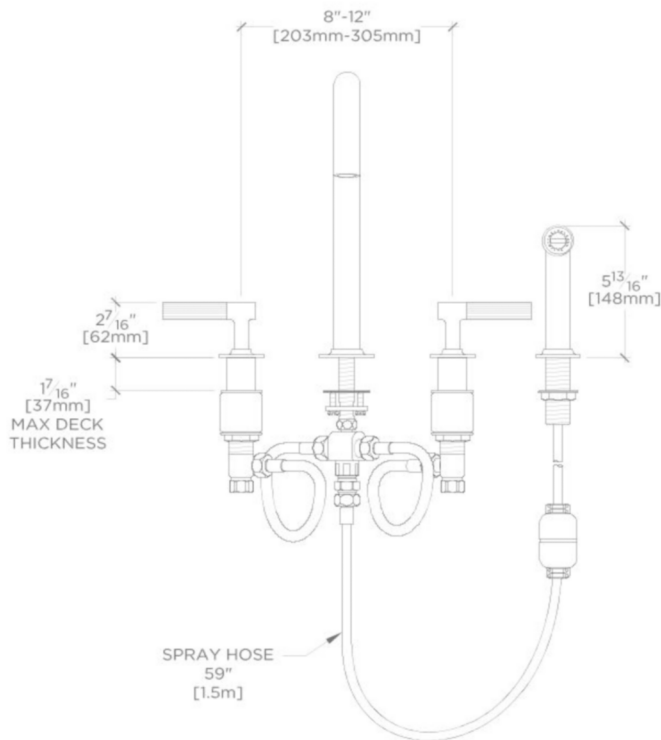
## BKM22A

Bond Tandem Series Gooseneck Kitchen Faucet and Spray with Guilloche Lines Lever Handles



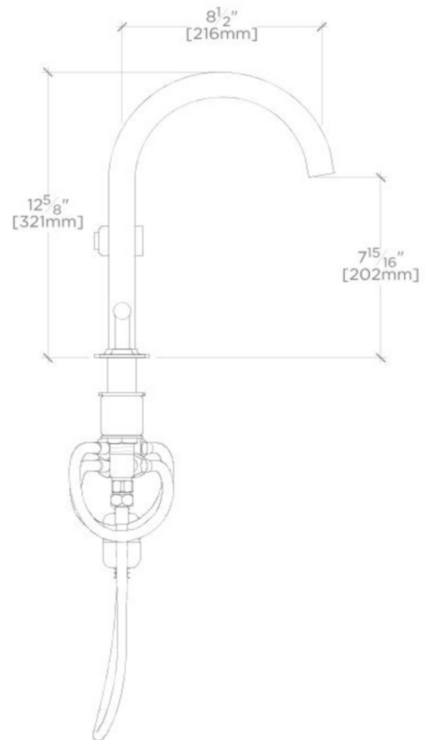
TOP VIEW

SCALE:  $1\frac{1}{2}"=1'-0"$



FRONT VIEW

SCALE:  $1\frac{1}{2}"=1'-0"$



SIDE VIEW

SCALE:  $1\frac{1}{2}"=1'-0"$