

RIVERUN

RRLS02

Riverun Lavatory Faucet with Tri-Spoke Handles



SHOWN IN RIVERUN LAVATORY FAUCET WITH TRI-SPOKE HANDLES | RRLS02

TECHNICAL DETAILS

Deck Thickness Maximum: 1 13/16"
Deck Thickness Minimum: 1/4"
Drain Depth Maximum: 2"
Drain Depth Minimum: 3/8"
Drain Hole Diameter: 1 1/2"
Drain Style: Push-Touch
Fittings Hole Diameter: 1 3/8"
Handle Spread Maximum: 12"
Handle Spread Minimum: 8"
Handle Turn Angle: Quarter Turn
Inlet Connection Size: 1/2"
Inlet Connection Type: Male with Supply Nut
Inlet Supply Spread Maximum: 12"
Inlet Supply Spread Minimum: 8"
Number Of Holes: Three Hole
Primary Material: Brass
Restricted Maximum Flow Rate: 1.2 gpm
Spout Swivel: N
Valve Material: Ceramic
Water Pressure Maximum: 85.0 psi
Water Pressure Minimum: 20.0 psi
Water Pressure Recommended: 45.0 psi

INSPIRATION

This new American classic was designed with simplicity in mind. Featuring streamlined forms and honest details, it's the epitome of quiet elegance.

CODES & STANDARDS

PRODUCT FEATURES

Features All Metal Tri-Spoke Handles

Includes a Universal Push Touch Drain sized to fit US and Euro sink drain openings.

Stocked in Nickel and Brass

Available in 1.2gpm (4.5L/min) flow rate

CERTIFICATIONS

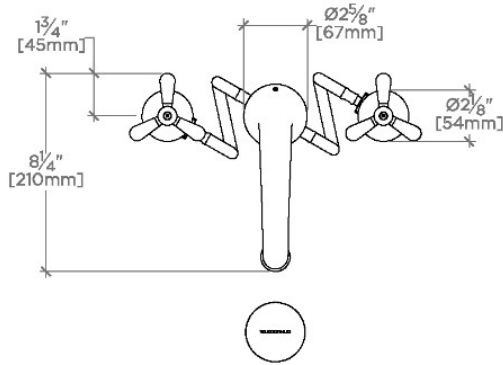
PRODUCT (NOTES)

WATERWORKS

RIVERUN

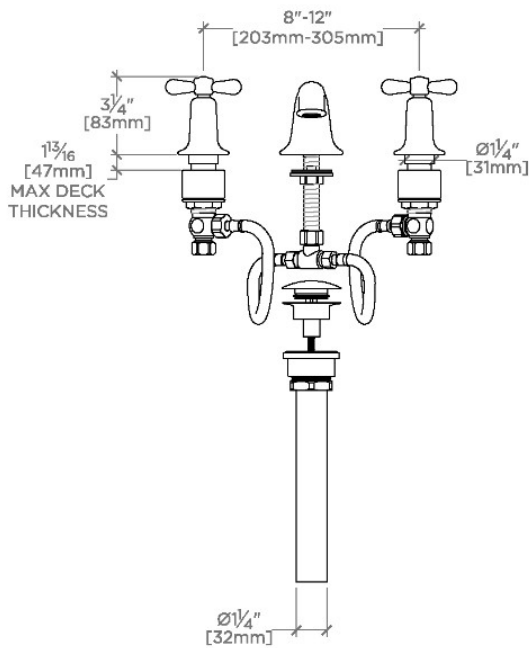
RRLS02

Riverun Lavatory Faucet with Tri-Spoke Handles



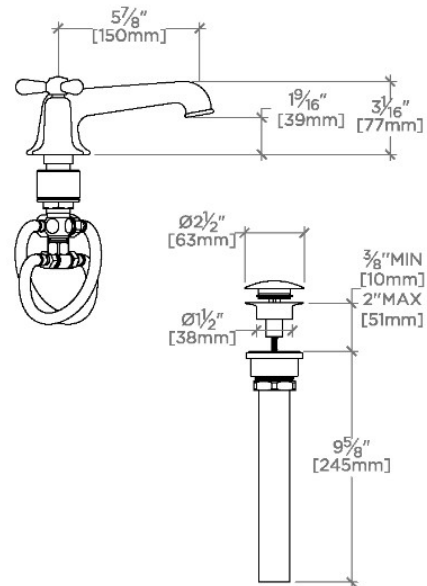
TOP VIEW

SCALE: 1/2"=1'-0"



FRONT VIEW

SCALE: 1/2"=1'-0"



SIDE VIEW

SCALE: 1/2"=1'-0"